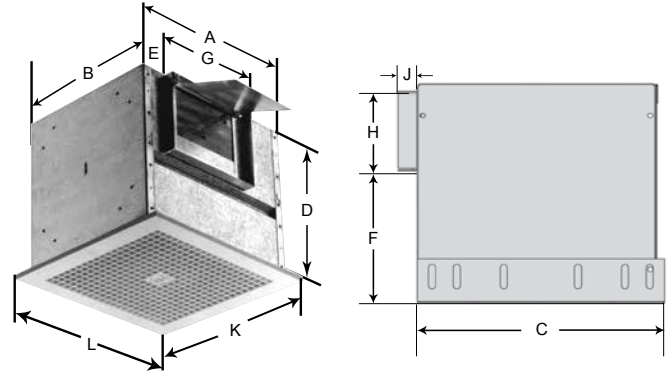


Z3 - Z12 | CEILING FANS

- Some selections below one sone.
- AMCA Air & Sound certified.
- UL Listed for UL705 and UL507.
- All motors with thermal overload protection.
- Quick access wiring.
- Easy to balance via variable speed control (Lek-Trol™).
- Field convertible discharge orientation
- Field convertible from ceiling to inline installation.
- Popular models with multi-speed motor (wide performance range).



Model	Housing						Outlet Duct			Grille		Est. Shipping Wt. (Lbs.)	
	A	B	C	D	E	E'	F	G	H	J	K		L
Z3, 5, 6	12 1/2"	9 1/8"	16"	9 1/8"	1 1/4"	1 1/4"	5 3/8"	10"	3 1/4"	3/4"	11"	13 3/4"	14
Z8, 81	13 7/8"	11 3/8"	17 3/8"	11 3/8"	1 7/8"	4"	5 1/4"	8"	6"	3/4"	13 1/4"	14 7/8"	20
Z10	18"	14 1/8"	21 1/2"	14 1/8"	3 5/8"	6 3/8"	8"	8"	6"	3/4"	15 1/2"	19 3/8"	28
Z12, 101, 102, 121	24"	14 1/8"	27 1/2"	14 1/8"	1"	1"	8"	22"	6"	3/4"	15 1/2"	25"	52

Model	Max. Watts	Amps	RPM	SP	0.000"	0.125"	0.250"	0.375"	0.500"	0.625"	0.750"
Z3H	39	0.5	1550	CFM	109	83	-	-	-	-	-
				HEMISPHERICAL SONES ³	1.7	2.3	-	-	-	-	
				SPHERICAL SONES ⁴	0.8	1.4	-	-	-	-	
Z5H	79	1	1550	CFM	192	163	128	93	-	-	-
				HEMISPHERICAL SONES ³	3.4	3.3	3.3	3.4	-	-	-
				SPHERICAL SONES ⁴	1.5	1.6	1.6	1.7	-	-	-
Z6S ⁵	47	0.6	1050	CFM	123	101	82	-	-	-	-
				HEMISPHERICAL SONES ³	0.9	1.4	1.8	-	-	-	-
				SPHERICAL SONES ⁴	0.2	0.5	0.9	-	-	-	-
Z6H ⁵	108	1.4	1550	CFM	230	196	166	122	-	-	-
				HEMISPHERICAL SONES ³	3.3	3	3	3.1	-	-	-
				SPHERICAL SONES ⁴	2.3	2.0	1.9	2.0	-	-	-
Z8S ⁵	77	1	1050	CFM	272	247	231	217	199	-	-
				HEMISPHERICAL SONES ³	2.1	2.4	2.9	3.3	3.6	-	-
				SPHERICAL SONES ⁴	1.0	1.4	1.9	2.4	2.8	-	-
Z81S	77	0.9	1050	CFM	310	273	239	213	182	136	73
				HEMISPHERICAL SONES ³	2.5	2.7	2.9	3.3	3.7	4.2	4.3
				SPHERICAL SONES ⁴	1.5	1.7	1.9	2.3	2.8	3.1	3.2
Z8H ⁶	130	1.6	1550	CFM	426	401	377	357	341	328	304
				HEMISPHERICAL SONES ³	4.5	4.7	4.7	5.1	5.6	5.8	5.8
				SPHERICAL SONES ⁴	3.4	3.7	3.6	4.1	4.6	4.7	4.8
Z10S ⁷	243	2.5	1050	CFM	469	441	423	403	387	367	347
				HEMISPHERICAL SONES ³	4.5	4.8	5.1	5.4	5.6	5.8	6
				SPHERICAL SONES ⁴	3.4	3.8	4.0	4.4	4.6	4.7	4.9
Z101S	153	1.6	1050	CFM	612	537	467	405	222	116	-
				HEMISPHERICAL SONES ³	3.9	3.6	3.9	4.6	5.5	6	-
				SPHERICAL SONES ⁴	2.9	2.5	2.9	3.6	4.3	5.2	-
Z10H ⁷	390	3.6	1550	CFM	728	694	664	638	613	591	565
				HEMISPHERICAL SONES ³	8.6	8.6	8.6	8.7	8.6	8.8	8.8
				SPHERICAL SONES ⁴	7.3	7.4	7.5	7.4	7.4	7.8	7.7
Z102S	269	4.5	1050	CFM	816	747	691	602	335	-	-
				HEMISPHERICAL SONES ³	5.8	5.8	5.4	5	4.9	-	-
				SPHERICAL SONES ⁴	4.6	4.6	4.1	3.7	3.8	-	-
Z12S	260	2.9	1050	CFM	901	855	812	755	683	552	-
				HEMISPHERICAL SONES ³	5.8	5.9	6.3	6.5	6.5	6	-
				SPHERICAL SONES ⁴	4.6	4.8	5.2	5.2	5.3	5.0	-
Z121S	370	3.6	1050	CFM	1083	1062	1024	949	838	686	270
				HEMISPHERICAL SONES ³	7	6.9	6.6	6.1	5.7	5.3	4.6
				SPHERICAL SONES ⁴	5.9	6.0	5.6	5.1	4.8	4.2	3.6
Z102H	812 (BHP 0.53)	7.5	1550	CFM	1435	1385	1338	1294	1247	1203	1163
				HEMISPHERICAL SONES ³	11.8	11.7	11.9	11.9	11.7	11.3	11
				SPHERICAL SONES ⁴	10.4	10.1	10.3	10.3	10.0	9.8	9.6
Z12H	851 (BHP 0.65)	7.9	1550	CFM	1566	1511	1464	1417	1364	1307	1251
				HEMISPHERICAL SONES ³	13.5	13.3	12.9	12.7	12.3	12	11.7
				SPHERICAL SONES ⁴	11.6	11.4	11.0	11.0	10.7	10.4	10.1

(1) Speed (RPM) shown is nominal. Performance is based on actual speed of test.
 (2) Performance shown is for installation type B - Free Inlet, Ducted Outlet. Performance ratings include the effects of an inlet grille and backdraft damper in the airstream.
 (3) The sound ratings shown are loudness values in fan sones at 5ft. (1.5m) in a hemispherical free field calculated per AMCA Standard 301.
 (4) The spherical sones values are calculated to represent sound in a spherical free field at 5ft. (1.5m) per Annex B of AMCA 311.
 (5) Specify discharge configuration. Standard types are RA, TD, TDA and TDA-RA.
 (6) Z6S and Z6H is the same unit shipped with EASYTAP dual speed motor. Wired on S (low) speed.
 (7) Z8S and Z8H is the same unit shipped with EASYTAP dual speed motor. Wired on S (low) speed.
 (8) Z10S and Z10H is the same unit shipped with EASYTAP dual speed motor. Wired on S (low) speed.

©PENNBARRY 2015