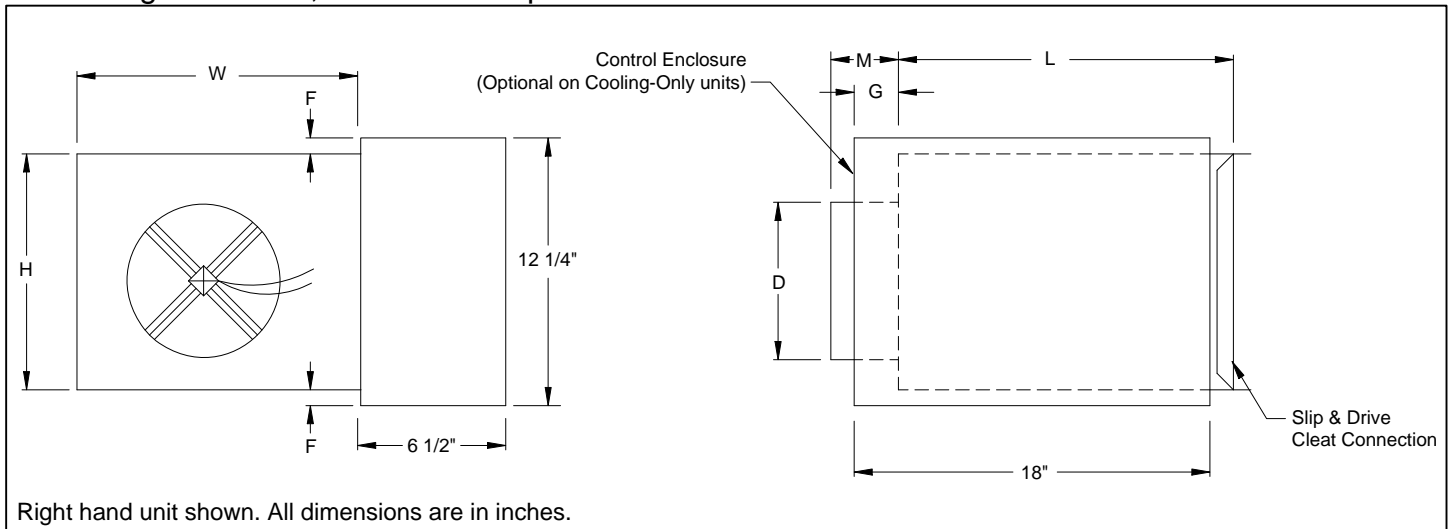


DESV

Single Duct Terminal Unit
Direct Digital Control, Pressure Independent



Inlet Size	CFM Range	D	F	G	H	L	M	W
4	0-225	3 ⁷ / ₈	2 ¹ / ₈	7 ³ / ₈	8	15 ¹ / ₂	5 ³ / ₈	12
5	0-350	4 ⁷ / ₈	2 ¹ / ₈	7 ³ / ₈	8	15 ¹ / ₂	5 ³ / ₈	12
6	0-500	5 ⁷ / ₈	2 ¹ / ₈	7 ³ / ₈	8	15 ¹ / ₂	3 ³ / ₈	12
7	0-650	6 ⁷ / ₈	1 ¹ / ₈	7 ³ / ₈	10	15 ¹ / ₂	3 ³ / ₈	12
8	0-900	7 ⁷ / ₈	1 ¹ / ₈	7 ³ / ₈	10	15 ¹ / ₂	3 ³ / ₈	12
9	0-1050	8 ⁷ / ₈	-	5 ³ / ₈	12 ¹ / ₂	15 ¹ / ₂	3 ³ / ₈	14
10	0-1400	9 ⁷ / ₈	-	5 ³ / ₈	12 ¹ / ₂	15 ¹ / ₂	3 ³ / ₈	14
12	0-2000	11 ⁷ / ₈	-	5 ³ / ₈	15	15 ¹ / ₂	3 ³ / ₈	16
14	0-3000	13 ⁷ / ₈	-	3 ³ / ₈	17 ¹ / ₂	15 ¹ / ₂	3 ³ / ₈	20
16	0-4000	15 ⁷ / ₈	-	3 ³ / ₈	18	15 ¹ / ₂	3 ³ / ₈	24
24 x 16	0-8000	23 ⁷ / ₈ x 15 ⁷ / ₈	1 ¹ / ₈	5 ³ / ₈	18	15	3 ³ / ₈	38



Accessories (Optional)

- Check if provided.
- | | | | |
|--|--|---|--|
| <input type="checkbox"/> 24 V Control Transformer | <input type="checkbox"/> 1" Fiberglass Liner | <input type="checkbox"/> UltraLoc Liner | <input type="checkbox"/> Removable Air Flow Sensor |
| <input type="checkbox"/> Dust Tight Enclosure Seal | <input type="checkbox"/> 1" EcoShield Liner | <input type="checkbox"/> ½" EcoShield Liner (Foil Face) | <input type="checkbox"/> Bottom Access Door |
| <input type="checkbox"/> Fibre Free Liner | <input type="checkbox"/> 1" Fibre Free Liner | <input type="checkbox"/> 1" EcoShield Liner (Foil Face) | <input type="checkbox"/> OSP & IBC Certification |
| <input type="checkbox"/> ½" EcoShield Liner | <input type="checkbox"/> Low Leakage Seal/Test/Certify | <input type="checkbox"/> Disconnect Switch | <input type="checkbox"/> Red List Compliant "Google" Gasketing |
| <input type="checkbox"/> ½" Fibre Free Liner | <input type="checkbox"/> SteriLoc Liner | <input type="checkbox"/> Hanger Brackets | <input type="checkbox"/> _____ |

General Description

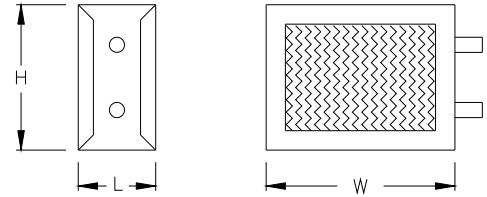
- Heavy gauge steel housing. Mechanically sealed and gasketed, leak resistant construction. Less than 2% of nominal cfm at 1.5" sp wg.
- Dual density internal insulation, treated to resist air erosion. Meets requirements of NFPA 90A and UL 181.
- Rectangular discharge opening is designed for slip and drive cleat duct connection.
- Multipoint center averaging inlet velocity sensor.
- Digital control packages can be factory mounted by Titus.
- Choice of right hand or left hand control location.
- Model DESV can be installed horizontally, vertically, or at any angle. Operation is not affected by position.
- Gauge tees for cfm measurement.
- OSHPD Seismic Certification: OSP-0352-10
- Only Titus Alpha digital controls package approved for seismic installation.

Accessories (Optional)

Hot Water Coil Section

- Aluminum ripple fins, 10 per inch
- Coil pipe connections are male, sweat, type "L" copper. Connection sizes are 1/2" OD for 1 row coil unit sizes 04-08. All other coils have 7/8" OD.
- Coil is installed at discharge of unit.
- On units with attenuators, coil are installed at the discharge of attenuator.

- 1 Row
- 2 Row
- 3 Row
- 4 Row



Electric Coil Section

Optional SCR Controlled Electric Heater

Optional Lynergy Controlled Electric Heater

Standard Features

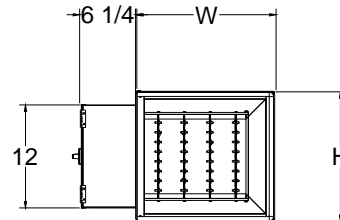
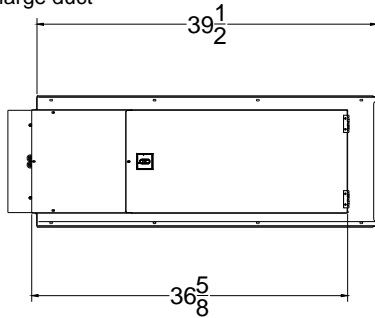
- Single side access to low voltage, high voltage, and electric heater controls.
- Automatic reset thermal cutouts, one per element
- Manual reset secondary protection.
- Positive pressure flow switch
- Magnetic contactor for each step.
- Slip and drive cleat discharge duct connection.

Options

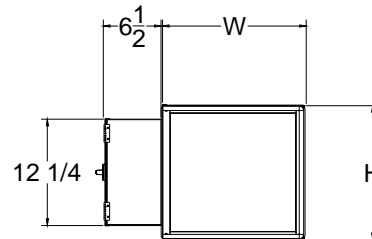
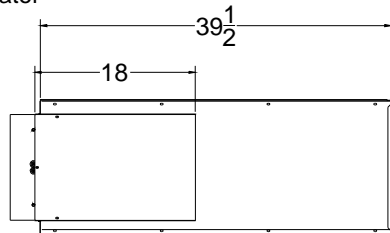
- Fuse Block
- Disconnect switch, door interlock type
- Dust tight construction
- Mercury contactors

Supply Voltage

- 120V, 1 ph, 60Hz
- 208V, 1 ph, 60Hz
- 240V, 1 ph, 60Hz
- 277V, 1 ph, 60Hz
- 208V, 3 ph, 60Hz
- 480V, 3 ph, 60Hz (4 wire wye standard)



Integral Sound Attenuator



Inlet Size	H	W	Water Coil	
			L (1-2 Row)	L (3-4 Row)
4	8	12	5	7 1/4
5	8	12	5	7 1/4
6	8	12	5	7 1/4
7	10	12	5	7 1/4
8	10	12	5	7 1/4
9	12 1/2	14	5	7 1/4
10	12 1/2	14	5	7 1/4
12	15	16	5	7 1/4
14	17 1/2	20	7 1/2	9 3/4
16	18	24	7 1/2	9 3/4
24 x 16	18	38	5	7 1/4

The total length of the DESV unit is the summation of the unit length (with or without attenuator) and the length of the optional water coil.