



36 SERIES

SPECIFICATIONS

GENERAL SPECIFICATIONS

The pressure reducing valve body and bell housing are of all bronze construction. The device is designed for 300 psig rated working pressure with a standard spring range of 25-75 psig. Factory set at 50 psig. Also available with low pressure spring range of 10-35 psig or high pressure spring range 75-125 psig. Valve shall be equipped with a completely replaceable cartridge which can be installed in minutes without disengaging the regulator from the pipeline. There shall be an automatic pressure equalization device to protect against pressure build-up on the downstream side. Conbraco 36-100 series or equal.

It shall meet the requirements of the following standards: **ASSE 1003 (ANSI A 112.26.2)**, **CSA standard B356** and listed with **IAPMO**.

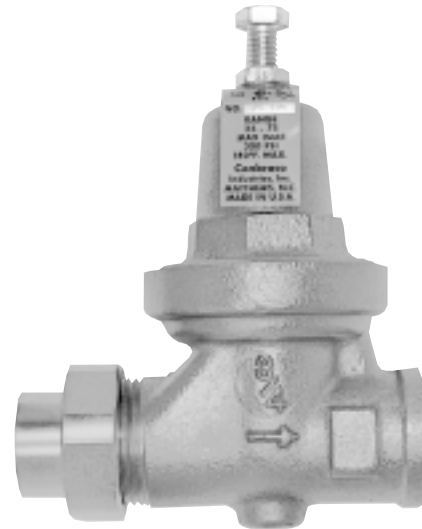
The manufacturing facility shall be an **ISO 9001 REGISTERED**. The pressure reducing valve shall be manufactured by **CONBRACO INDUSTRIES, INC.**, Matthews, North Carolina.

FEATURES

- All Bronze Body and Spring Cage
- Replaceable cartridge assembly without removal from line
- Built-in by-pass for pressure equalization, standard
- Replaceable seat assembly
- 1/4" NPT gauge tapping available
- 1/4" NPT, 0-160 psi pressure gauge available
- Hi-capacity 20 mesh strainer
- Union pipe end, standard connection
- 180°F maximum
- 300 psig rated working pressure
- Standard setting 50 psig; adjustable 25 to 75 psig
- Made in USA

Water Pressure Reducing Valve

Sizes 1/2", 3/4", 1", 1-1/4", 1-1/2" & 2"



MODELS

- #36-100 Series - Pipe threaded union x FNPT
- #36-200 Series - FNPT x FNPT
- #36-300 Series - Solder Union x FNPT
- #36-400 Series - Pipe Threaded Union x Pipe Threaded Union
- #36-500 Series - Solder Union x Solder Union
- #36-904 Series - Double Union Pex x Pex
- #36-9C4 Series - Double Union NPT x Pex

OPTIONS

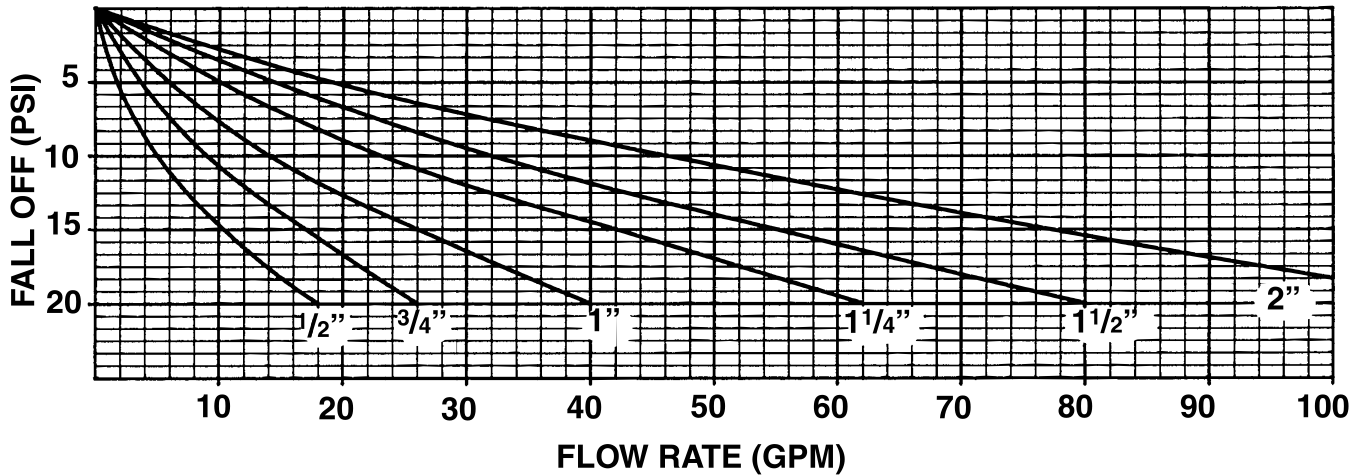
- Low pressure range (10 to 35 psig)
- High pressure range (75 to 125 psig)
- 1/4" NPT gauge tapping
- With 1/4" NPT, 0-160 psi gauge

APPROVALS

The 36 is approved under the following standards: **ASSE 1003**, **CSA B356**, and **IAPMO**.

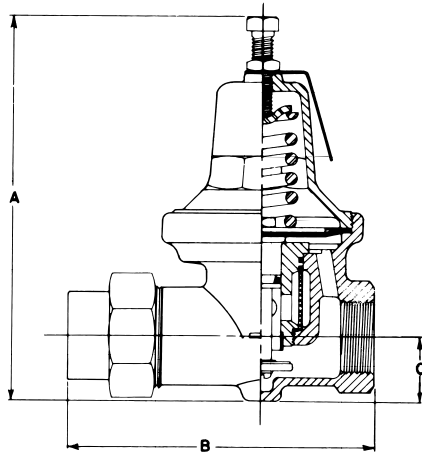


FLOW CURVES



MATERIALS

Housing	Cast Bronze
Seat Ring	Stainless Steel
Seat Washer	Nitrile (FDA grade)
Strainer	Stainless Steel
Cartridge	Brass
Diaphragm	Nylon reinforce neoprene
O-ring	Nitrile (FDA grade)



KEY (last two digit model #s)

- 01 - Standard (25 to 75 psig)
- G1 - Standard with 1/4" NPT Gauge Tapping
- P1 - Standard with 1/4" NPT Gauge Tapping and gauge (W-7793-00) in box
- 02 - Low Pressure Range (10 to 35 psig)
- G2 - Low Pressure with 1/4" NPT Gauge Tapping
- P2 - Low Pressure Range with 1/4" NPT Gauge Tapping and gauge (W-7793-00) in box
- 03 - High Pressure Range (75 to 125 psig)
- G3 - High Pressure Range with 1/4" NPT Gauge Tapping
- P3 - High Pressure Range with 1/4" NPT Gauge Tapping and gauge (W-7793-00) in box

ORDERING NUMBER

- #36-100 SERIES - PIPE THREAD UNION X FNPT
- #36-300 SERIES - SOLDER JOINT UNION X FNPT
- #36-9C4 SERIES - DOUBLE UNION NPT X PEX

SIZE	MODEL	A	B	C	WT/100
1/2"	36_03	6 1/8	4 5/8	1	350
3/4"	36_04	6 1/8	4 5/8	1	340
1"	36_05	6 1/2	5 1/8	1 1/8	450
1 1/4"	36_06	8 5/8	6 3/8	1 3/8	1,020
1 1/2"	36_07	8 5/8	6 5/8	1 3/8	1,045
2"	36_08	11 3/4	8 7/16	1 13/16	2,250

#36-200 SERIES - FNPT X FNPT

SIZE	MODEL	A	B	C	WT/100
1/2"	36-203	6 1/8	3 11/16	1	311
3/4"	36-204	6 1/8	3 11/16	1	305
1"	36-205	6 1/2	4 1/16	1 1/8	415
1 1/4"	36-206	8 5/8	5 3/16	1 3/8	910
1 1/2"	36-207	8 5/8	5 5/16	1 3/8	909
2"	36-208	11 3/4	7 1/8	1 13/16	1,880

- #36-400 SERIES - PIPE THREAD UNION X UNION
- #36-500 SERIES - SOLDER JOINT UNION X UNION
- #36-904 SERIES - DOUBLE UNION PEX X PEX

SIZE	MODEL	A	B	C	WT/100
1/2"	36_03	6 1/8	5 13/16	1	389
3/4"	36_04	6 1/8	5 13/16	1	372
1"	36_05	6 1/2	6 1/2	1 1/8	495
1 1/4"	36_06	8 5/8	7 11/16	1 3/8	1,090
1 1/2"	36_07	8 5/8	8	1 3/8	1,183
2"	36_08	11 3/4	10 1/16	1 13/16	2,472

PLUMBING & HEATING PRODUCTS DIVISION