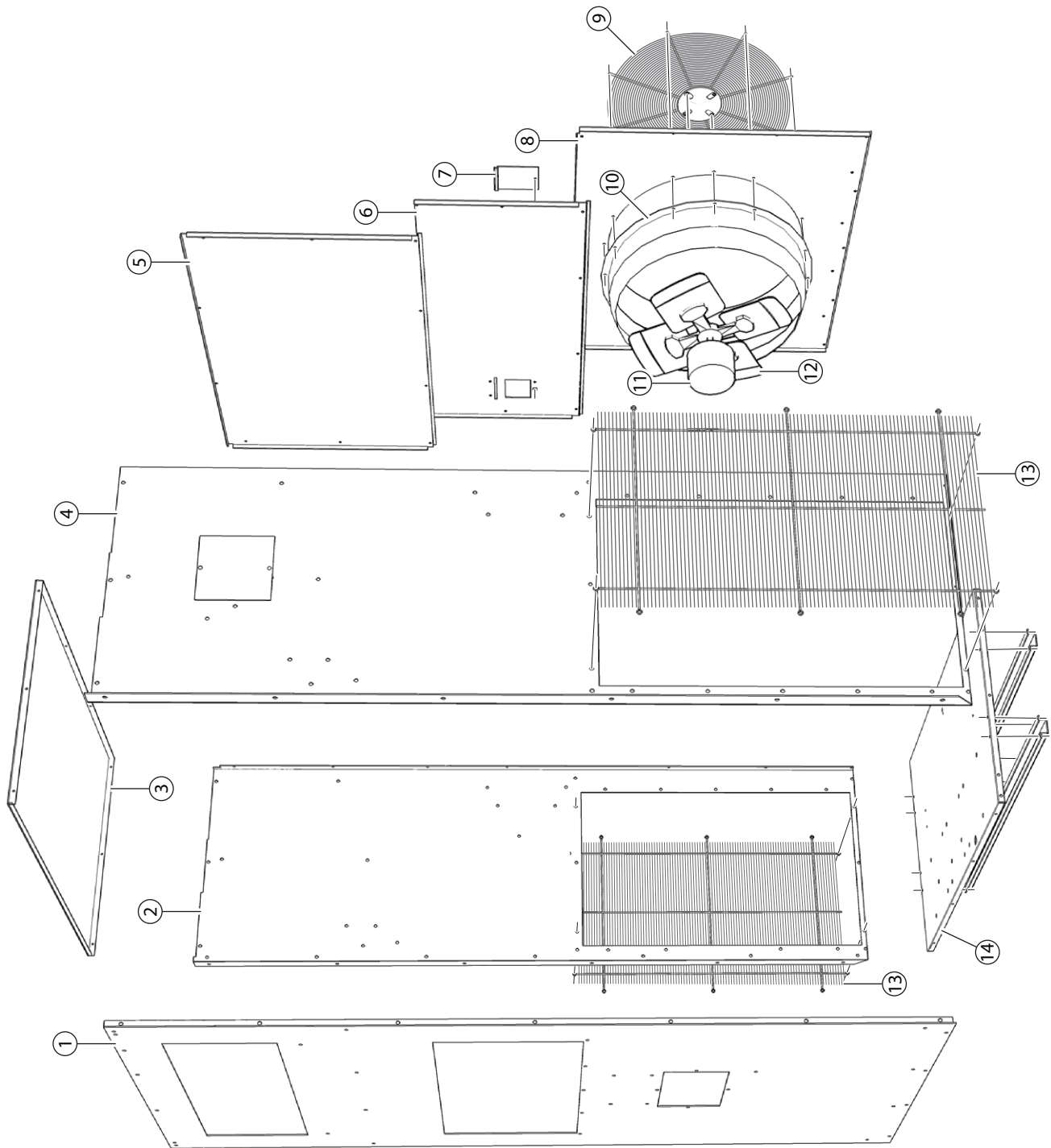


**MARVAIR® COMPAC® AIR CONDITIONERS**  
**MODELS HVEA49-60 & HVESA49-60 EXPLODED VIEW PARTS ID**  
**EXTERIOR SHEET METAL (OUTER PANELS)**



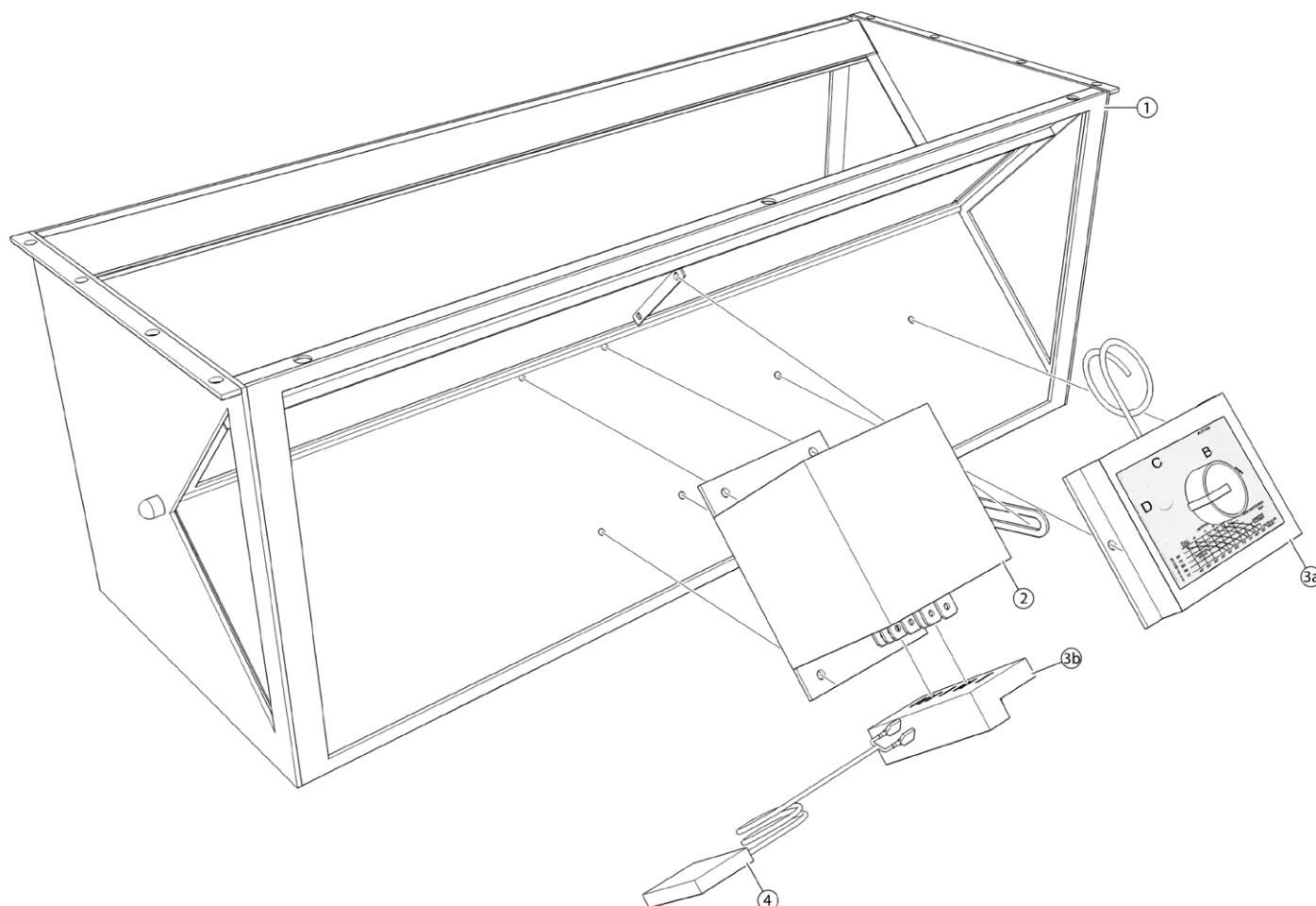
**MARVAIR® COMPAC® AIR CONDITIONERS**  
**MODELS HVEA49-60 & HVESA49-60 EXPLODED VIEW PARTS ID**  
**EXTERIOR SHEET METAL (OUTER PANELS)**

No.	Description	Part Number			
		HVEA49	HVEA60	HVESA49	HVESA60
1	Panel, Back (Galvanized)	M/06600SP			
2	Right Side Panel, ComPac II	M/04465XXSP			
	Right Side Panel, ComPac I	M/04467XXSP			
3	Top Panel	M/04474XXSP			
4	Left Side Panel, ComPac II	M/04466XXSP			
	Left Side Panel, ComPac I	M/04468XXSP			
5	Top Front Door	M/04473XXSP			
6	Middle Front Door, ComPac II	M/05492XXSP			
	Middle Front Door, ComPac I	M/05491XXSP			
7	Circuit Breaker Access Cover	M/01368XXSP			
8	Front Door Bottom	M/04469XXSP			
9	Outdoor Fan Guard	30144			
10	Venturi for Outdoor Fan	80476			
11	Outdoor Fan Motor	40051			
12	Outdoor Fan Blade	30143			
13	Outdoor Air Side Grille	81536			
14	Base Pan (Includes Base Pan Runner)	M/04464SP			
XX is for color. BG=Beige, GY=Gray, WH=White, BR=Brown, AF=Aluminum, SS=Stainless steel					

# MARVAIR® COMPAC® AIR CONDITIONERS

## MODELS HVEA49-60 & HVESA49-60 EXPLODED VIEW PARTS ID

### ECONOMIZER ASSEMBLY

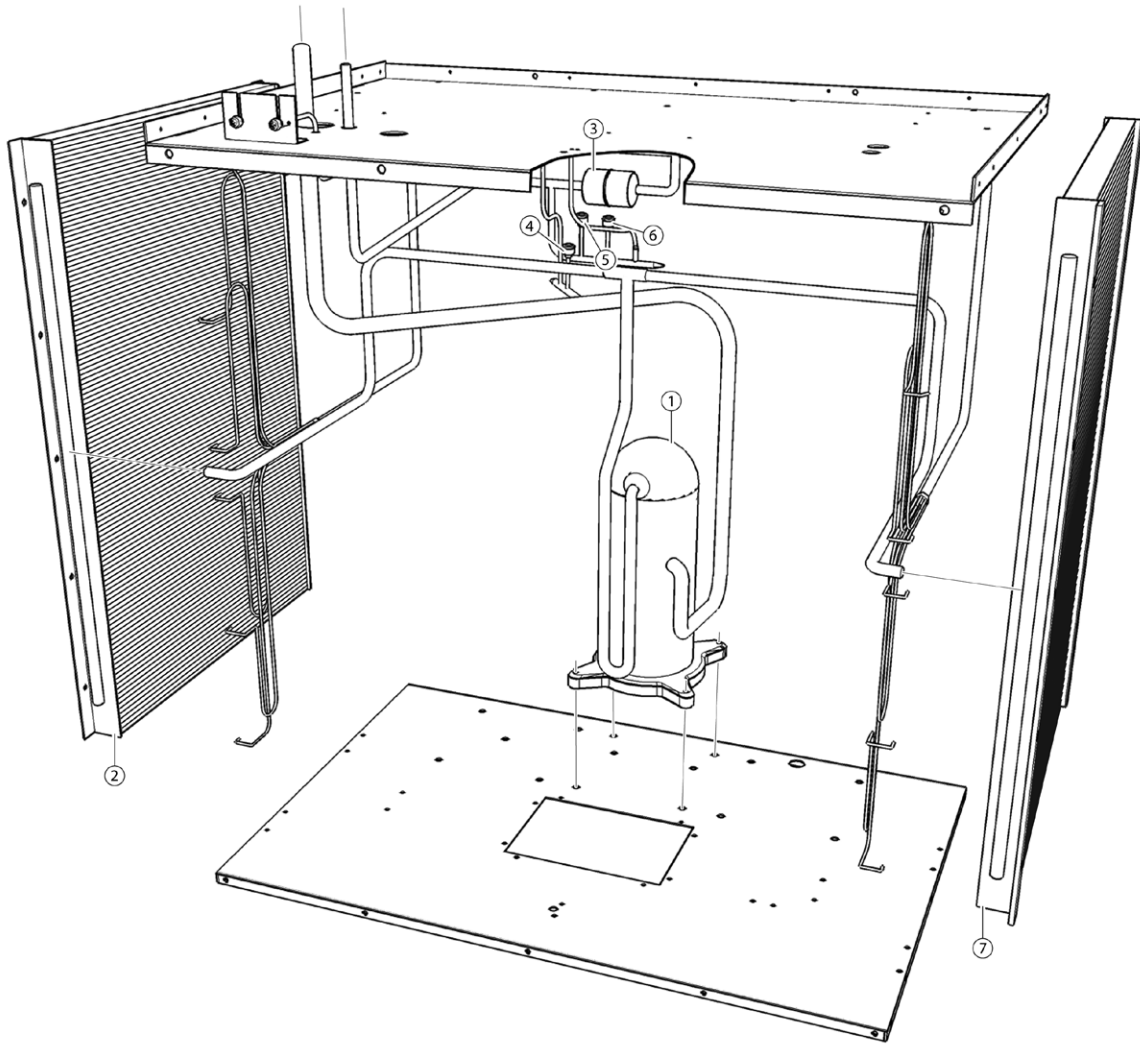


No.	Description	Part Number			
		HVEA49	HVEA60	HVESA49	HVESA60
1	Economizer Assembly*				N/A
2	Motor, Economizer Damper		40101		
3a	H2050 Enthalpy Controller		70230		
3b	W7459A Solid State Economizer Logic Module		50011		
4	Enthalpy Sensor for W7459 Solid State Economizer Logic Module		70571		

\*Cannot be field installed.

The W7459A solid state economizer logic module replaces the H2050 enthalpy controller. The W7459A solid state economizer logic module requires a enthalpy sensor, Marvair part #70571. If the H2050 controller is replaced, both the W7459A solid state economizer logic module and the 70571 enthalpy sensor must be ordered. The damper motor, part no. 40101, can be used with either the solid state economizer logic module or the H2050 enthalpy controller.

**MARVAIR® COMPAC® AIR CONDITIONERS**  
**MODELS HVEA49-60 & HVESA49-60 EXPLODED VIEW PARTS ID**  
**COMPRESSOR & OUTDOOR COIL (OUTDOOR COIL)**



No.	Description	Part Number			
		HVEA49	HVESA49	HVEA60	HVESA60
1	Compressor, 208/230v. 1ø, 60 Hz	10310	10337	10313	10340
	Compressor, 208/230v. 3ø, 60 Hz	10311	10338	10314	10341
	Compressor, 460v. 3ø, 60 Hz	10312	10339	10315	10342
2	Outdoor Coil (Left Hand)	60150			
3	Filter Drier	70389			
4	Low Pressure Switch	70342			
5	High Pressure Switch	70572			
6	Low Ambient Fan Cycle Control <sup>2</sup>	S/07435			
7	Outdoor Coil (Right Hand)	60149			
†	Transformer, 460v. to 230v. Only on 460v. Units	P/50007			

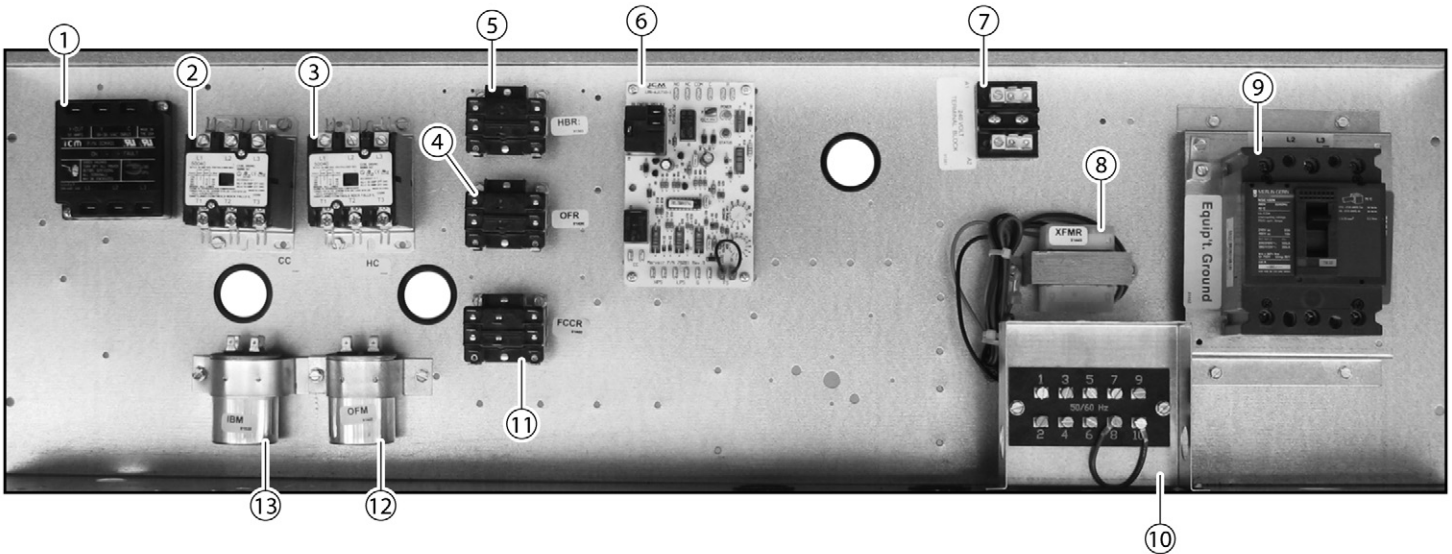
<sup>2</sup>Field Replacement of the Factory Installed Switch. Includes Swivel Tee.

†Not Shown

# MARVAIR® COMPAC® AIR CONDITIONERS

## MODELS HVEA49-60 & HVESA49-60 EXPLODED VIEW PARTS ID

### ELECTRICAL CONTROL BOX



No.	Description	Part Number			
		HVEA49	HVESA49	HVEA60	HVESA60
1	Phase Monitor (3Ø Units Only)	20040			
2	Compressor Contactor for all 1Ø Units	50020		50030	
	Compressor Contactor for all 3Ø Units	50040			
3	Heat Contactor	See Electric heater, contactor and thermal limit chart			
4	Outdoor Fan Relay	50205			
5	Heater Blower Relay	50190			
6	Air Conditioner Circuit Board	70281			
7	Terminal Block (460 V. Units Only)	80812 <sup>1</sup>			
8	24 VAC Transformer	50141			
9	Disconnect 240 V. 1Ø & 220 V. 1Ø	70178			
	Disconnect 240 V. 3Ø & 220 V. 3Ø	70183			
	Disconnect 460 V. 3Ø (Cutler Hammer)	70299			
	Disconnect 460 V. 3Ø (Merlin Gerin p/n NENI34040)	70435			
10	Low Voltage Terminal Board	80786			
11	Fan Cycle Control Relay	P/50182			
12	Outdoor Fan Motor Capacitor	50360			
13	Indoor Blower Motor Capacitor	N/A	50360	N/A	50360
†	Mixed Air Relay (ComPac II Units Only)	50164			
†	H205 Enthalpy Controller (ComPac II)	70230			
†	W7459 Solid State Economizer Logic Module (ComPac II)	50011			

Note: Due to variety of options, the control box in your unit may be different from the one shown.

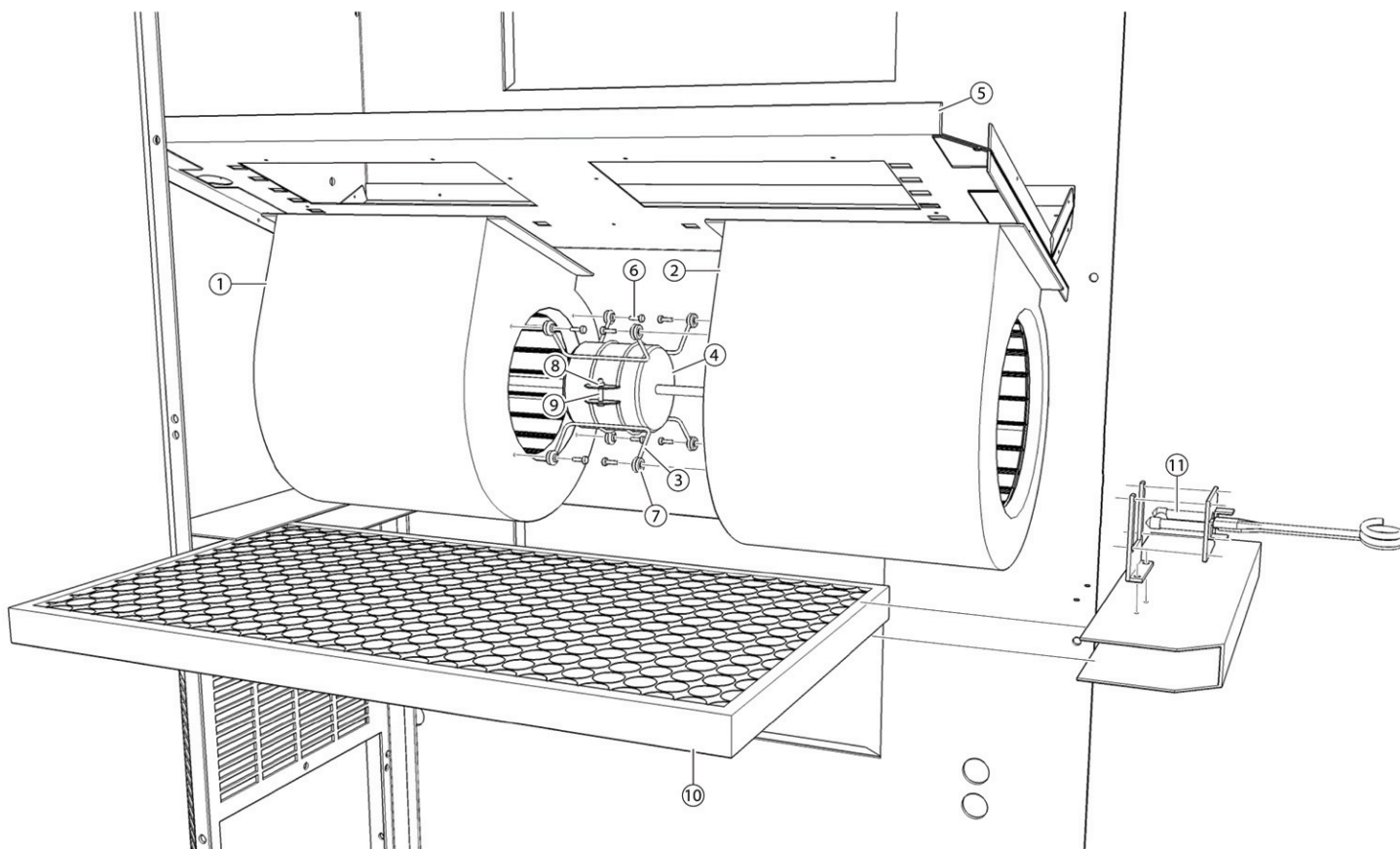
<sup>1</sup>460v. Units Only

<sup>†</sup>Not Shown

**MARVAIR® COMPAC® AIR CONDITIONERS**  
**MODELS HVEA49-60 & HVESA49-60 EXPLODED VIEW PARTS ID**  
**ELECTRIC HEATER, HEATER CONTACTOR & THERMAL LIMITS**

KW	Volts/Phase	Heater Element	Dual Limit Control		Single Function Limit Switch		Heater Contactor
		Part No.	QTY	Part No.	QTY	Part No.	Part No.
5	240/1	70412	1	70006	1	70005	50020
10	240/1	70411	2	70006	1	70005	50030
15	240/1	70410	3	70006	1	70005	50040
9	240/3	70445	3	70006	1	70005	50040
15	240/3	70410	3	70006	1	70005	50040
9	460/3	70441	3	70006	1	70005	50040
15	460/3	70443	3	70006	1	70005	50040

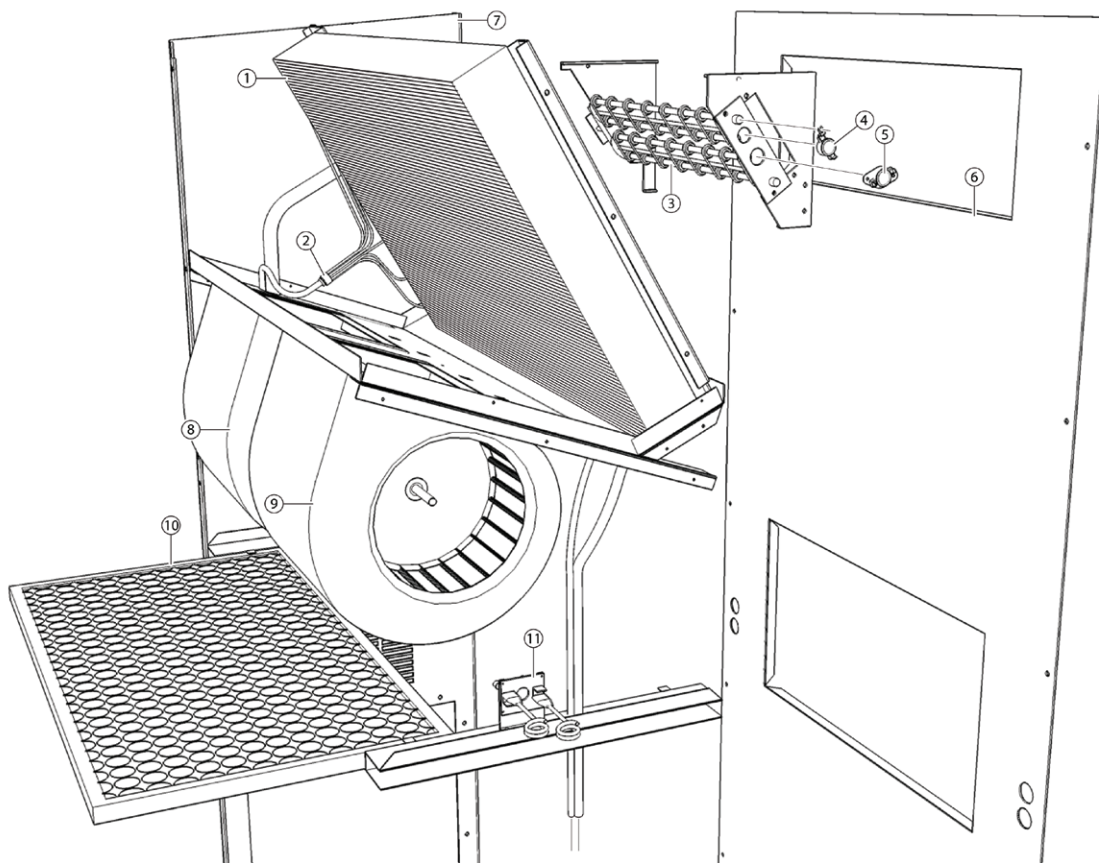
**MARVAIR® COMPAC® AIR CONDITIONERS**  
**MODELS HVEA49-60 & HVESA49-60 EXPLODED VIEW PARTS ID**  
**INDOOR BLOWER (BLOWER FILTER)**



No.	Description	Part Number			
		HVEA49	HVESA49	HVEA60	HVESA60
1	Left Hand Blower Wheel and Scroll	30090			
2	Right Hand Blower Wheel and Scroll	30092			
3	Blower Motor Bracket	80428			
4	Indoor Blower Motor	40099	40090	40051	
5	Drain Pan	M/05700SP			
6	Bolt to Secure Blower Bracket to Housing	90736			
7	Grommet for Blower Bracket	80429			
8	Nut for Motor Bracket Clamp	90610			
9	Bolt for Motor Bracket Clamp	90550			
10	Filter, 2" (2 Per Unit)	81257			
11	Mixed Air Sensor*	70229			
	Indoor blower assembly. Includes, left & right hand blowers, blower motor mounting hardware and bracket	S/04777		S/04754	

\*ComPac II air conditioners with factory installed economizer only.

**MARVAIR® COMPAC® AIR CONDITIONERS**  
**MODELS HVEA49-60 & HVESA49-60 EXPLODED VIEW PARTS ID**  
**INDOOR COIL, BLOWER & HEATER (INDOOR COIL BLOWER)**



No.	Description	Part Number			
		HVEA49	HVESA49	HVEA60	HVESA60
1	Evaporator Coil	60027			
2	TXV/Distributor Assembly	20337			
3	Heater	See Heater Chart			
4	Switch, Dual Function Thermal Cut-Out Switch	70006			
5	Switch, Single Function Thermal Cut-Out Switch	70005			
6	Back Panel	M/06600SP			
7	Left Side Panel, ComPac II	M/04466XXSP			
	Left Side Panel, ComPac I	M/04468XXSP			
8	Blower Wheel and Housing, Left Hand	30090			
9	Blower Wheel and Housing, Right Hand	30092			
10	Filter, 2" (2 Per Unit)	81257			
11	Mixed Air Sensor*	70229			
*ComPac II units with Economizer only.					