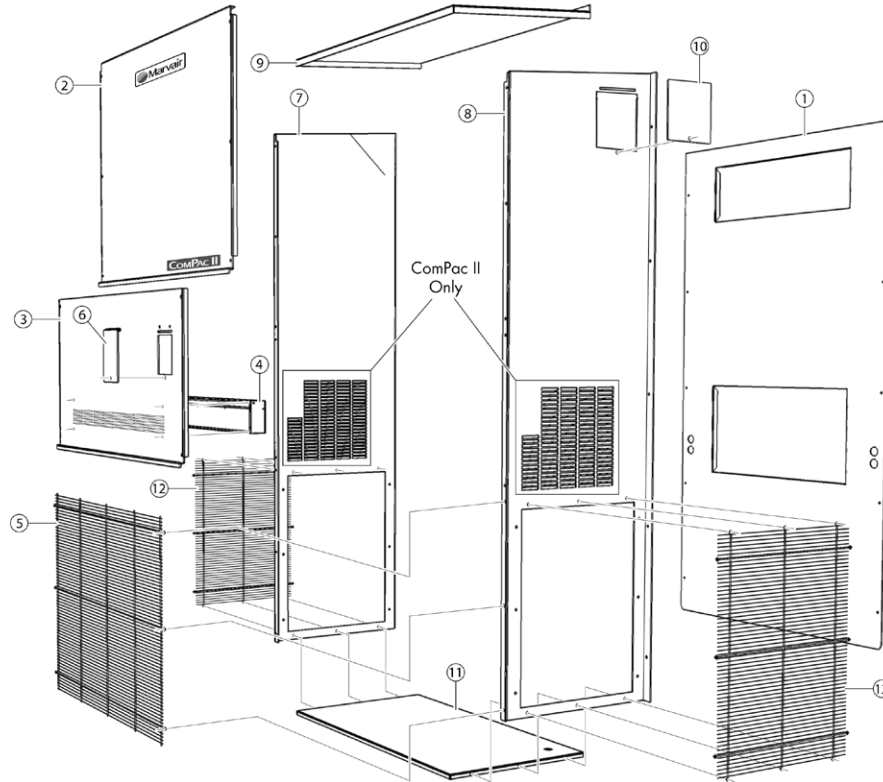


MARVAIR® COMPAC® AIR CONDITIONERS MODELS HVEA30-36-42 & HVESA36-42 EXPLODED VIEW PARTS ID EXTERIOR SHEET METAL (OUTER PANELS)



No.	Description	Part Number		
		HVEA30	HVEA/HVESA36	HVEA/HVESA42
1	Panel, Back (Galvanized)	M/04996-SP		
2	Door, Front Top	M/01294-XXSP		
3	Door, Front Bottom w/Slots ^{1,2}	M/06745-XXSP		
4	Fresh Air Hood - Interior ^{1,3}	06801-XXSP		
5	Guard, Condenser Coil	P/81397		
6	Door, Disconnect Access	M/01368-XXSP		
7	Panel, Left Side - ComPac I	M/01558-XXSP		
	Panel, Left Side - ComPac II	M/01293-XXSP		
8	Panel, Right Side - ComPac I	M/01557-XXSP		
	Panel, Right Side - ComPac II	M/01292-XXSP		
9	Panel, Top	M/01291-XXSP		
10	Door, Heater Access	M/01324-XXSP		
11	Base Pan	M/01680-XXSP		
12	Screen, Side	P/81396		

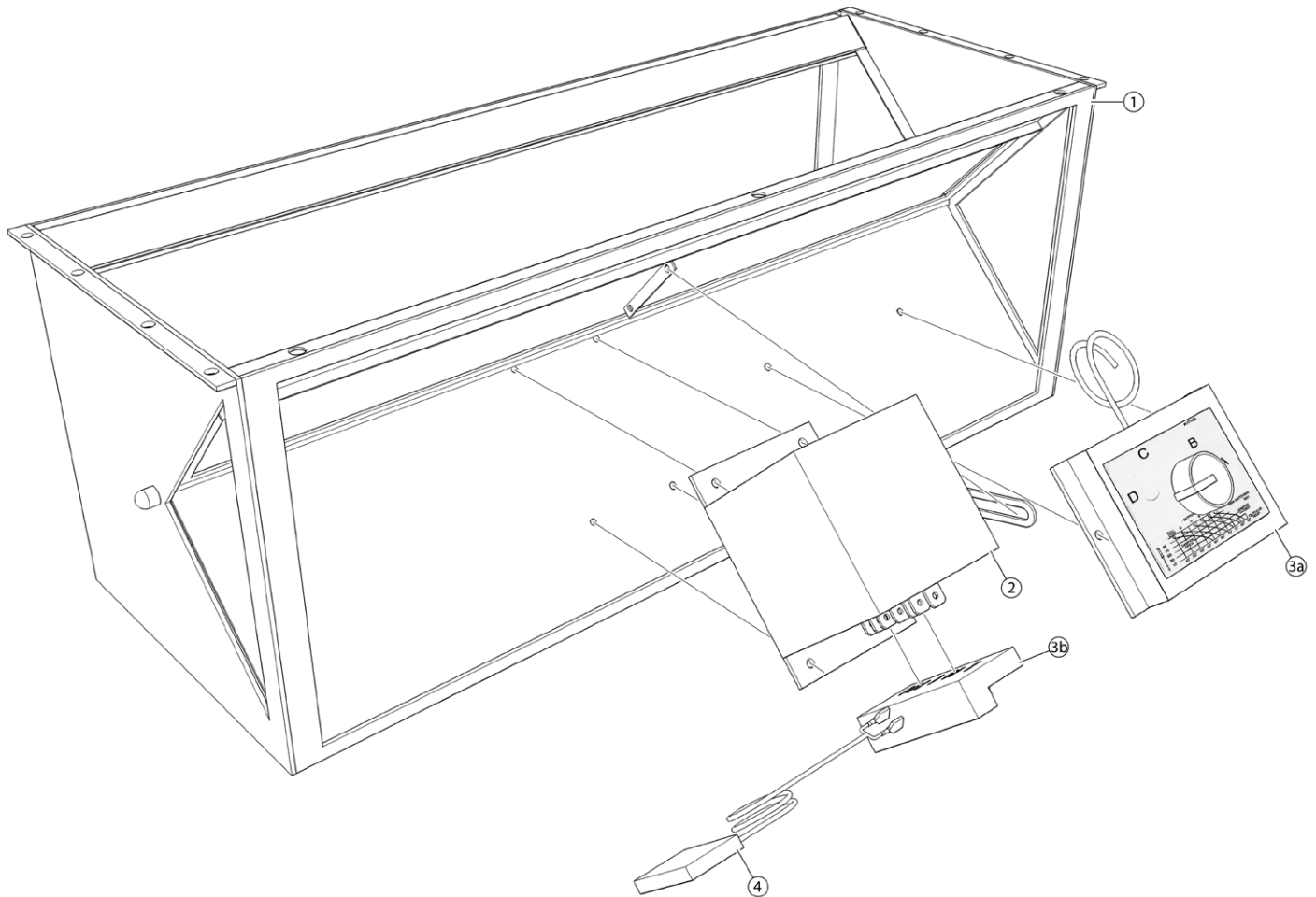
XX is for color. BG=Beige, GY=Gray, WH=White, BR=Brown, AF=Aluminum, SS=Stainless steel

¹For models with the "N" ventilation option

²For models with the "Y", "Z", "C" and "B" ventilation option. These units do not require an internal fresh air hood.

³Models with the "Y", "Z", "C" and "B" ventilation option do not require an internal fresh air hood.

**MARVAIR® COMPAC® AIR CONDITIONERS MODELS
HVEA30-36-42 & HVESA36-42 EXPLODED VIEW PARTS ID
ECONOMIZER ASSEMBLY (COMPAC II A/C ONLY)**

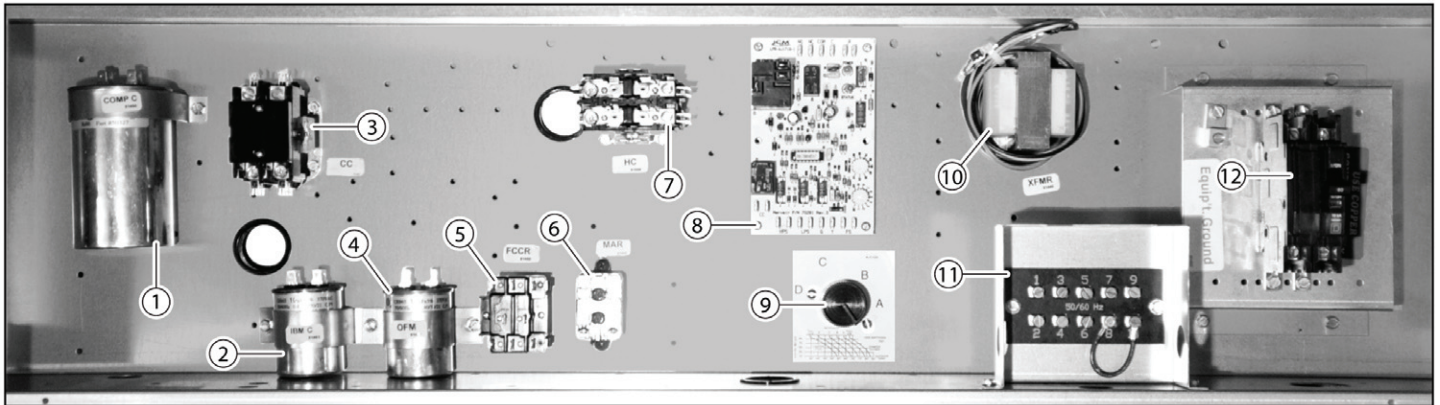


No.	Description	Part Number		
		HVEA30	HVEA/HVESA36	HVEA/HVESA42
1	Economizer Assembly*			N/A
2	Motor, Economizer Damper		40101	
3a	H2050 Enthalpy Controller		70230	
3b	W7459A Solid State Economizer Logic Module		50011	
4	Enthalpy Sensor for W7459 Solid State Economizer Logic Module		70571	

*Cannot be field installed.

The W7459A solid state economizer logic module replaces the H2050 enthalpy controller. The W7459A solid state economizer logic module requires a enthalpy sensor, Marvair part #70571. If the H2050 controller is replaced, both the W7459A solid state economizer logic module and the 70571 enthalpy sensor must be ordered. The damper motor, part no. 40101, can be used with either the solid state economizer logic module or the H2050 enthalpy controller.

MARVAIR® COMPAC® AIR CONDITIONERS MODELS HVEA30-36-42 & HVESA36-42 EXPLODED VIEW PARTS ID ELECTRICAL CONTROL BOX



No.	Description	Part Number		
		HVEA30	HVEA/HVeSA36	HVEA/HVESA42
1	Compressor Capacitor 208/230 V. 1Ø for Copeland Scroll Compressors	50315	50323	50159
2	Indoor Blower Motor Capacitor (IBMC)	50238		
3	Compressor Contactor for All 1Ø Units	50020	50020	50020
	Compressor Contactor for All 3Ø Units	50040		
4	Outdoor Fan Motor Capacitor - Standard	50240		
	Outdoor Fan Motor Capacitor - Extreme Duty	50360		
5	Fan Cycle Control Relay (FCCR)	P/50182		
6	Mixed Air Relay* (MAR)	50164		
7	Heat Contactor	See Electric Heater, Contactor, and Thermal Limit Chart**		
8	Air Conditioner Circuit Board	70281		
9	H205 Enthalpy Controller*	70230		
10	24 Volt Transformer (XFMR)	50141		
11	Low Voltage Terminal Board	80786		
12	Disconnect 240 V. 1Ø & 220 V. 1Ø	70178		
	Disconnect 240 V. 3Ø & 220 V. 3Ø	70183		
	Disconnect 460 V. 3Ø (Cutler Hammer)	70299		
	Disconnect 460 V. 3Ø (Merlin Gerin P/n NENL34040)	70435		

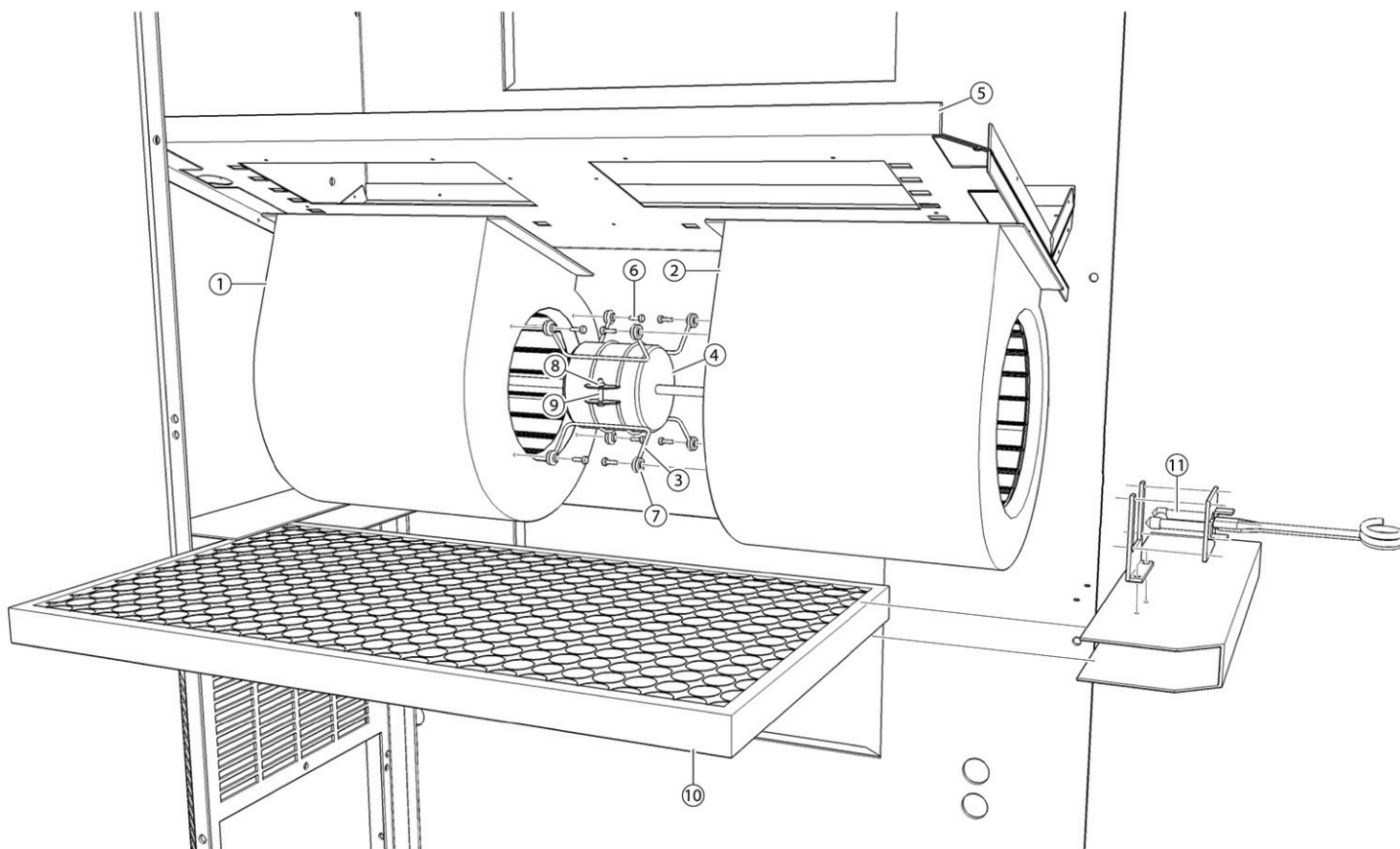
*ComPac II air conditioners with factory installed economizer only.

**Electric Heater, Contactor & Thermal Limit Chart located on following page.

**MARVAIR® COMPAC® AIR CONDITIONERS MODELS
HVEA30-36-42 & HVESA36-42 EXPLODED VIEW PARTS ID
ELECTRIC HEATER, HEATER CONTACTOR & THERMAL LIMITS**

KW	Volts	Heater Element	Dual Limit Control		Single Function Limit Switch		Heater Contactor
		Part No.	QTY	Part No.	QTY	Part No.	Part No.
4	240	70413	1	70006	1	70005	50020
5	240	70412	1	70006	1	70005	50020
6	240	70444	3	70006	1	70005	50030
8	240	70414	2	70006	1	70005	50030
9	240	70445	3	70006	1	70005	50030
10	240	70411	2	70006	1	70005	50030
12	240	70446	3	70006	1	70005	50040
15	240	70410	3	70006	1	70005	50040
6	460	70440	3	70006	1	70005	50040
9	460	70441	3	70006	1	70005	50040
12	460	70442	3	70006	1	70005	50040
15	460	70443	3	70006	1	70005	50040

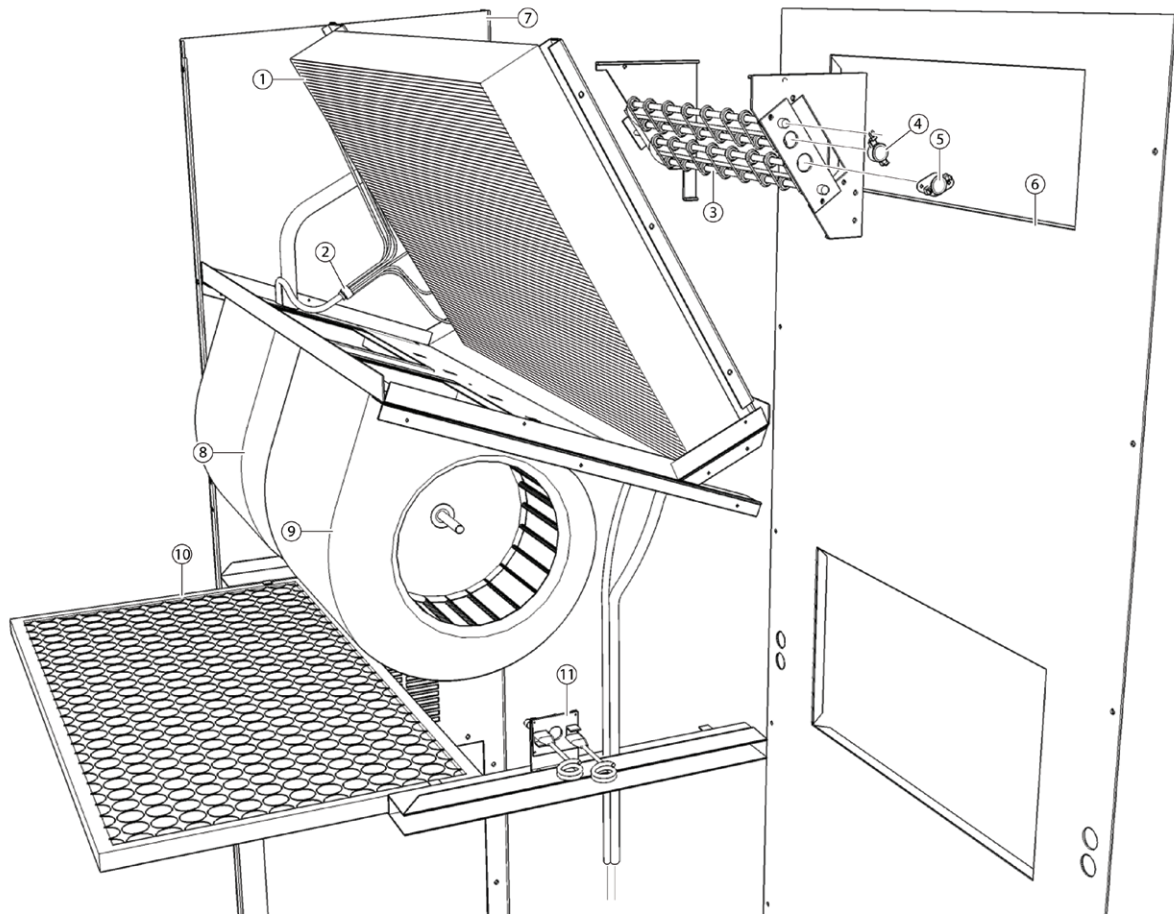
**MARVAIR® COMPAC® AIR CONDITIONERS MODELS
HVEA30-36-42 & HVESA36-42 EXPLODED VIEW PARTS ID
INDOOR BLOWER (BLOWER FILTER)**



No.	Description	Part Number		
		HVEA30	HVEA/HVESA36	HVEA/HVESA42
1	Left Hand Blower Wheel and Housing	30090		
2	Right Hand Blower Wheel and Housing	30092		
3	Blower Motor Bracket	80428		
4	Indoor Blower Motor	40081		
5	Drain Pan	02969SP	02930SP	02930SP
6	Bolt to Secure Blower Bracket to Housing	90736		
7	Grommet for Blower Bracket	80429		
8	Nut for Motor Bracket Clamp	90610		
9	Bolt for Motor Bracket Clamp	90550		
10	Filter, 2"	80162		
11	Mixed Air Sensor*	70229		
	Blower Assembly Includes Motor, Motor Bracket, Left Hand Blower Wheel and Housing and Right Hand Blower Wheel and Housing	S/04924	S/04924	S/04924

*ComPac II air conditioners with factory installed economizer only.

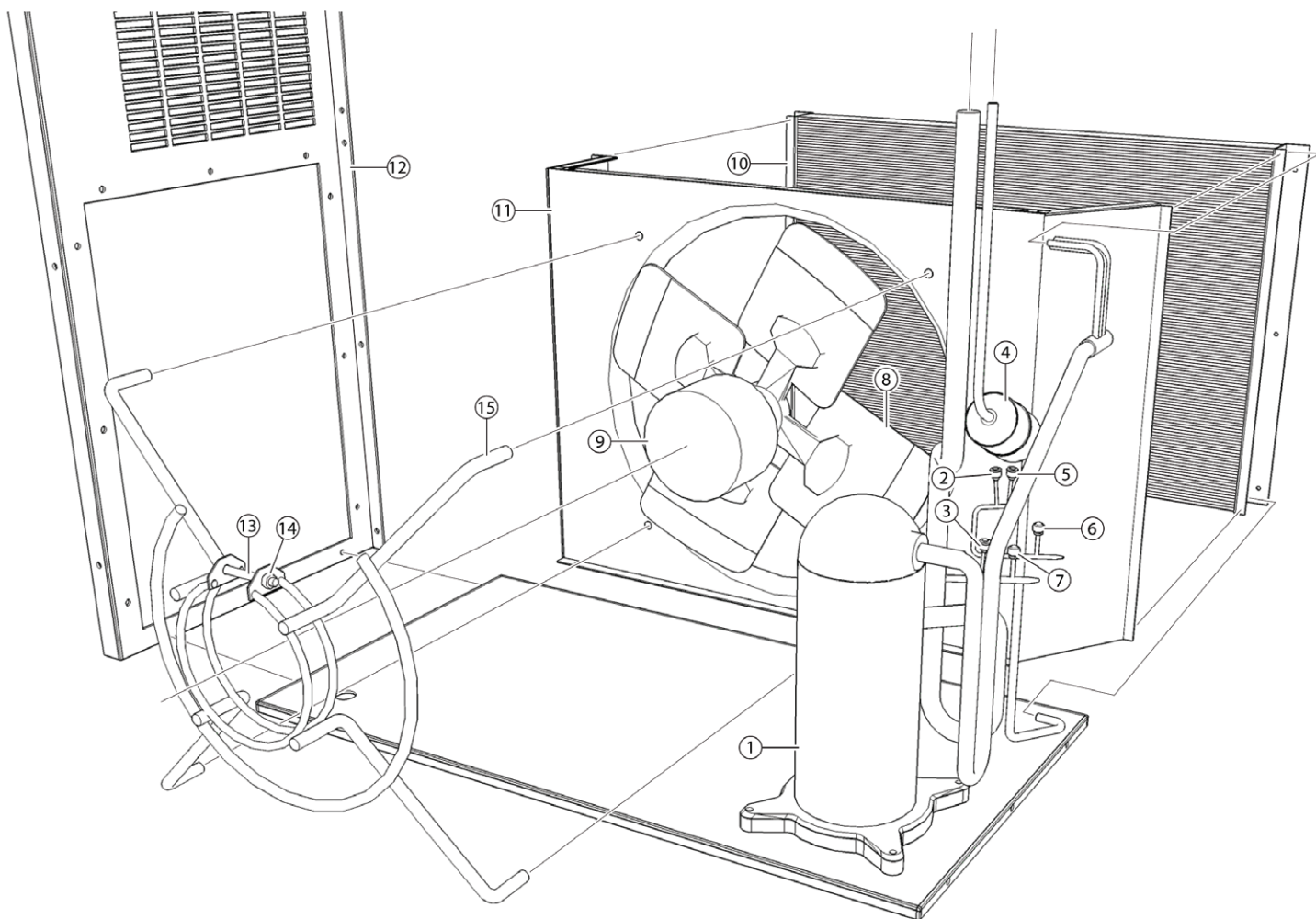
**MARVAIR® COMPAC® AIR CONDITIONERS MODELS
HVEA30-36-42 & HVESA36-42 EXPLODED VIEW PARTS ID
INDOOR COIL, BLOWER & HEATER (INDOOR COIL BLOWER)**



No.	Description	Part Number		
		HVEA30	HVEA/HVESA36	HVEA/HVESA42
1	Coil, Indoor	60360	60360	60340/60360
2	Thermal Expansion Valve	20396/NA	20366	
	Distributor Assembly	20367		20368
3	Heater	See Heater Chart		
4	Switch, Dual Function Thermal Cut-Out Switch	70006		
5	Switch, Single Function Thermal Cut-Out Switch	70005		
6	Panel, Back (Galvanized)	M/04996-SP		
7	Panel, Left - ComPac I	M/01558-XXSP		
8	Left Hand Blower Wheel & Housing	30090		
9	Right Hand Blower Wheel & Housing	30092		
10	Filter, 2"	80162		
11	Mixed Air Sensor*	70229		

*ComPac II air conditioners with factory installed economizer only.

MARVAIR® COMPAC® AIR CONDITIONERS MODELS HVEA30-36-42 & HVESA36-42 EXPLODED VIEW PARTS ID COMPRESSOR & OUTDOOR COIL (OUTDOOR COIL)



No.	Description	Part Number		
		HVEA30	HVEA/HVESA36	HVEA/HVESA42
1	Compressor, 208/230v. 1ø, 60 Hz. 1-Stage	10298	10349	10352
	Compressor, 208/230v. 1ø, 60 Hz. 2-Stage	N/A	10334	10345
	Compressor, 208/230v. 3ø, 60 Hz. 1-Stage	10299	10350	10353
	Compressor, 208/230v. 3ø, 60 Hz. 2-Stage	N/A	10335	10346
	Compressor, 460v. 3ø, 60 Hz. 1-stage	10300	10351	10354
	Compressor, 460v.. 3ø, 60 Hz. 2-stage	N/A	10336	10355
2	High Pressure Switch	70572		
3	Low Pressure Switch	70342		
4	Filter Drier	70370	70370	
5	Low Ambient Fan Cycle Control	S/07435*		

Continues on next page

**MARVAIR® COMPAC® AIR CONDITIONERS MODELS
HVEA30-36-42 & HVESA36-42 EXPLODED VIEW PARTS ID
COMPRESSOR & OUTDOOR COIL (OUTDOOR COIL)**

Continued from previous page

No.	Description	Part Number		
		HVEA30	HVEA/HVESA36	HVEA/HVESA42
6	High Pressure Refrigerant Access Valve		20237	
7	Low Pressure Refrigerant Access Valve		20237	
8	Fan Blade		30135	
9	Motor, Outdoor Fan (Standard)		40098	
	Motor, Outdoor Fan (Extreme Duty)	40106	40051	
10	Condenser Coil	60345	60345	60345
11	Outdoor Fan Venturi Panel (Galvanized)		01812-SP	
12	Panel, Right Side - ComPac I		M/01557-XXSP	
13	Bolt, Outdoor Motor Bracket		90550	
14	Nut, Outdoor Motor Bracket		90610	
15	Bracket, Outdoor Fan Motor		80426	
†	Transformer, 460v. to 230v. Only on 460v. Models.	50146	50147	50147 / P/50007
*The S/07435 is the field replacement of the factory installed low ambient fan cycle control, includes swivel tee. †Not Shown				