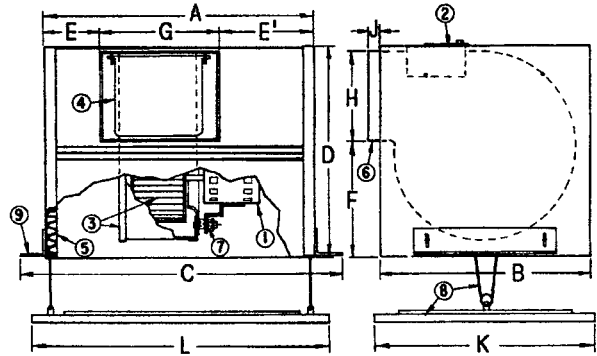


# Zephyr

## Models Z8S/H, Z81S, Z10S/H

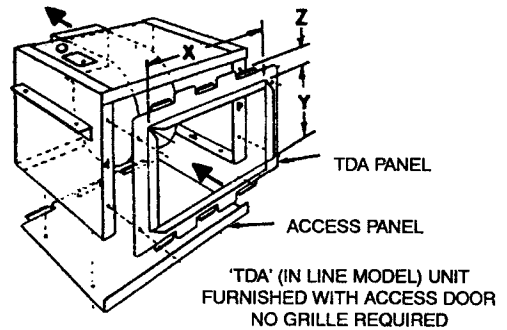
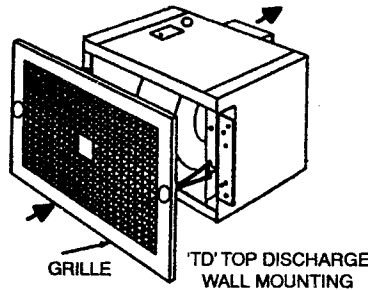
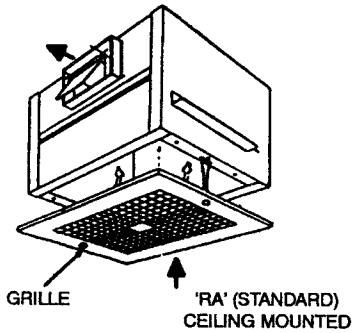
### Legend

1. Permanently Lubricated Motor
2. Accessible Terminal Box & Receptacle
3. Centrifugal Blower Wheel & Housing
4. Backdraft Damper
5. Acoustically Insulated Housing
6. Duct Sleeve
7. Anti-Vibration Grommets
8. Removable Decorator Deluxe Grille with Self-Adjusting Springs - 85% Free Area
9. Adjustable Mounting Flange



### Dimensional Data

MODELS									OUTLET DUCT FLANGE			GRILLE		'TDA' PANEL		
	A	B	C	D	E	E'	F	G	H	J	K	L	X	Y	Z	
Z8S/H, Z81S	13 7/8	11 3/8	17 3/8	11 3/8	1 7/8	4	5 1/4	8	6	3/4	13 1/4	14 7/8	10	8	1 9/16	
Z10S/H	18	14 1/8	21 1/2	14 1/8	3 5/8	6 3/8	8	8	6	3/4	15 1/2	19 3/8	14	10	2	



### Optional Accessories

Speed Control or Time Delay Switch	Sloped Roof Cap	Wall Caps	Flat Roof Caps	Brick Vents				
<p>Time Delay: Model AM12 Speed Control: Model LT30 - Z8SH, Z81S Model LT50 - Z10S/H</p>	<p>Model SL20 - All Models Wall Cap For Z10S/H</p>	<p>Model WC10 - Z8S/H, Z81</p>	<p>Model WCF08</p>	<p>Model B68 - Z8S/H, Z81S Model B100 - Z10S/H</p>				
				<table border="1"> <tr> <td>Model B68 - Z8S/H, Z81S</td> <td>4 3/4"</td> </tr> <tr> <td>Model B100 - Z10S/H</td> <td>7 3/4"</td> </tr> </table>	Model B68 - Z8S/H, Z81S	4 3/4"	Model B100 - Z10S/H	7 3/4"
Model B68 - Z8S/H, Z81S	4 3/4"							
Model B100 - Z10S/H	7 3/4"							

**Material:** Galvanized Steel Housing

<p><b>PENNBARRY™</b></p> <p>1401 North Plano Road, Richardson, TX 75081 Ph: 972.234.3202 Fax: 972.497.0468 www.PennBarry.com</p>	<h2 style="margin: 0;">Submittal Sheet</h2> <h3 style="margin: 0;">Zephyr Ceiling Fan</h3> <h3 style="margin: 0;">Quiet In-Line Exhaust Fan</h3>
--	--

This drawing illustrates our understanding of order requirements. When approved, it represents details for fabrication, as such, PennBarry will not be responsible for revisions in the field or other changes after release for fabrication. Published and protected by PennBarry, Richardson, TX. All rights reserved. May not be reproduced partially or in full without permission from the publisher. No rights conveyed to manufacture partially or in full, use or sell either the method of construction represented or any invention in any way related thereto.