

Selectra® SERIES 44 INSTALLATION INSTRUCTIONS and field service checklist



System Components

Amplifiers:

A1044 (min. 40° to 80° F/ max. 80° to 140° F)
A1044C (min. 20° to 60° F/ max. 80° to 140° F)
A1044D (min. 20° to 60° F/ max. 35° to 75° F)
A1044E (min. 20° to 60° F/ max. 60° to 120° F)
A1044L1, A1044CL1, A1044DL1, A1044EL1 - above ranges
with adjustable low fire start duration

NOTE: Amplifier and Discharge Temperature Sensor must have same temperature range to be compatible.

Discharge Temperature Sensors: use with Mixing Tube

TS144 (min. 40° to 80° F/max. 80° to 140° F)
TS144C (min. 20° to 60° F/max. 80° to 140° F)
TS144D (min. 20° to 60° F/max. 35° to 75° F)
TS144E (min. 20° to 60° F/max. 60° to 120° F)

Mixing Tubes: used with Sensors

MT1-9 or MT2-9 (9" length)
MT1-12 or MT2-12 (12" length)
MT1-23 or MT2-23 (23" length)
MT1-28 or MT2-28 (28" length)
MT1-57 (57" length)

Valves:

M411 (3/8" & 1/2" pipe size)
M511 (1/2" & 3/4" pipe size)
M611 (3/4" & 1" pipe size)
MR212D (1", 1 1/4", 1 1/2" pipe size)
MR212E (1 1/2" & 2" pipe size)
MR212G (2 1/2" & 3" pipe size)
MR212J (4" flanged)
MR212D-2, E-2, G-2 & J-2 (same pipe sizes as MR212D-J
except used for 2-speed blower or dual fuel operation)

NOTE: M (Modulator) valve requires an upstream pressure regulator for low fire & high fire settings.

MR (Modulator/Regulator) valve requires no upstream pressure regulator up to 5 psi inlet.

Selectrastat (Senses & Selects):

T244 (55° to 90° F)
T244A (40° to 80° F)

or optional pair to replace Selectrastat:

Space Temperature Selector:

TD244 (wall mount 55° to 90° F)
TD244A (wall mount 40° to 80° F)
TD244P (panel mount 55° to 90° F)
TD244AP (panel mount 40° to 80° F)

Space Temperature Sensor:

TS244 (55° to 90° F)
TS244A (40° to 80° F)

NOTE: Space Temperature Selector and Space Temperature Sensor must have same temperature range to be compatible.

Table of Contents

Page 2	Introduction and Dimensions
Page 3	Specifications Installation of Components Typical Gas Trains
Page 4 & 5	Field Service Checklist
Page 6	Wiring Diagrams Valve Adjustments
Page 7	Preliminary Circuit Analysis
Page 8	Temperature Calibration Low Fire Start Time Adjustment Sensitivity Adjustment



A1044L1 Amplifier



A1044 Amplifier



Selectrastat



Temp. Sensor



Temp. Selector



Valve



Mixing Tube and Sensor

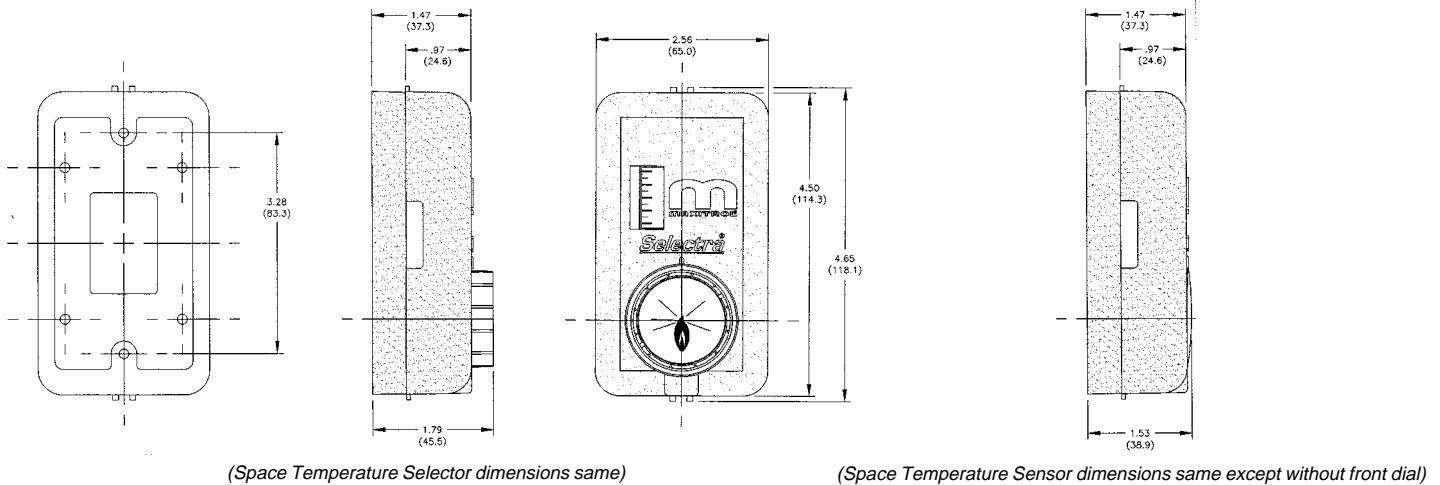
Introduction and Dimensions

Selectra SERIES 44 electronic gas flame modulation systems are designed primarily for space heating, as components of direct fired equipment. They may be field installed on existing equipment or specified for new equipment installation. All fuel gases are compatible.

The systems utilize Modulator or Modulator-Regulator valves to control gas pressure. Amplifiers are available with adjustable low-fire start duration.

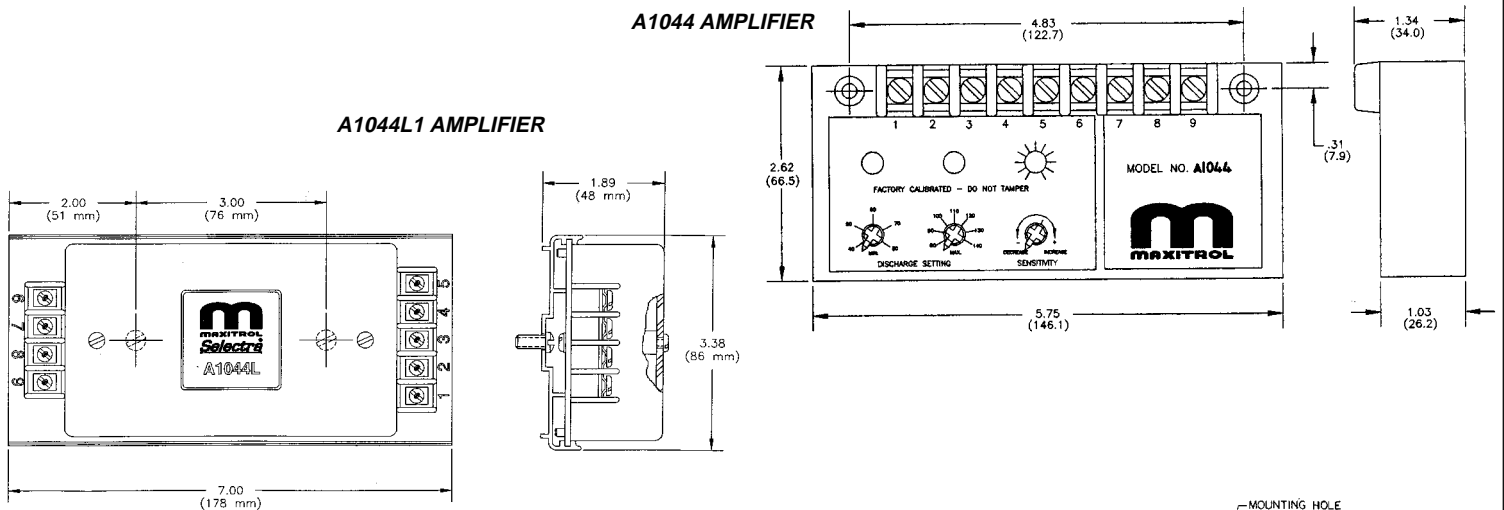
A discharge air temperature sensor (and mixing tube) is a means of limiting the minimum and maximum discharge air temperature. The amplifier supplies output voltage to the modulating valve. A wall mounted Selectrastat senses space temperature and has an integral selector with either a 55° to 90° F or 40° to 80° F range. Optionally, a remote Temperature Sensor paired with a separate Temperature Selector can be substituted for the Selectrastat.

SELECTRASTAT, TEMP. SELECTOR, SPACE TEMP. SENSOR

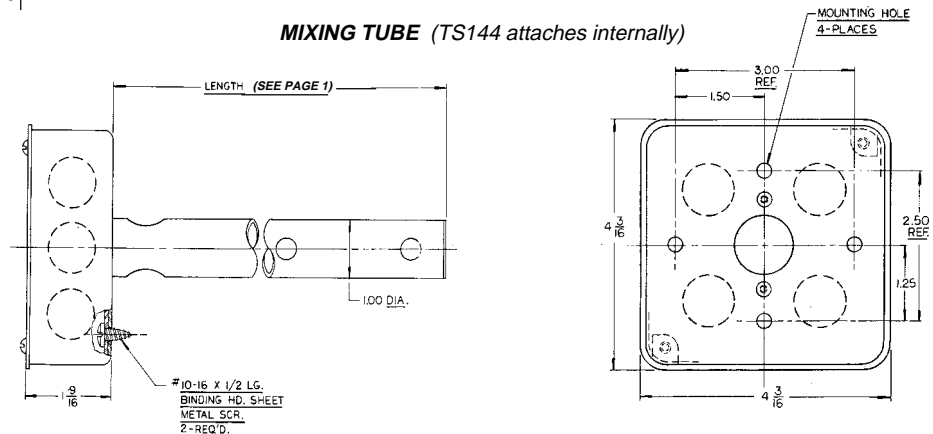


A1044 AMPLIFIER

A1044L1 AMPLIFIER



MIXING TUBE (TS144 attaches internally)



Specifications

Pressure Adjustment Ranges: (Maximum Fire)
 Standard (MR212) 2" to 5" w.c. / 5 to 12 mbar
 Standard (MR212-2) 2" to 5" w.c. / 5 to 12 mbar
 reduced 0" to 3" w.c. / 0 to 7.5 mbar

Vent: Model M411, M511, M611-vertical vent outlet 1/8" NPT—12A06 installed.
 MR212—two vents located in upper housing, both equipped with vent limiting means.

Ambient Limits:
 Operating -40° to 125° F / -40° to 52° C
 Non-Operating -50° to 185° F / -46° to 85° C

Power Requirements: 24 Volts, NEC Class II transformer 20 VA

Gases: All fuel gases

Pressure Limits:
 Maximum M411, M511, M611 Outlet Pressure: 7.0" w.c. / 17 mbar
 MR212 Outlet Pressure Springs: 1" to 3.5" w.c. / 2.5 to 9 mbar, 2" to 5" w.c. / 5 to 12 mbar, and 3" to 8" w.c. / 7 to 20 mbar
 Static Pressure Rating (M411, M511, M611) ... 5.0 psi / 345 mbar
 Maximum Operating Inlet Pressure (MR212) 5.0 psi / 345 mbar
 Maximum Emergency Exposure *(MR212)..... 12.5 psi / 862 mbar

**May not function properly at this pressure, but will suffer no internal damage.*

Installation of Components

Wiring Run: Control wires connected to the Selectrastat, Discharge Air Sensor, Remote Temperature Selector/Sensor, Amplifier or Valve must not be run close to or inside conduit with power or ignition wires. **Doing so may cause the unit to function erratically or may destroy the amplifier.** If shielded wires are used, shield must be insulated and grounded at the amplifier location only.

Amplifier: Install in any convenient location that is protected from the weather and contaminated atmosphere.

Selectrastat: This component selects and senses space temperature. Remove cover to mount in heated area where representative space temperature can be sensed.

Optional:

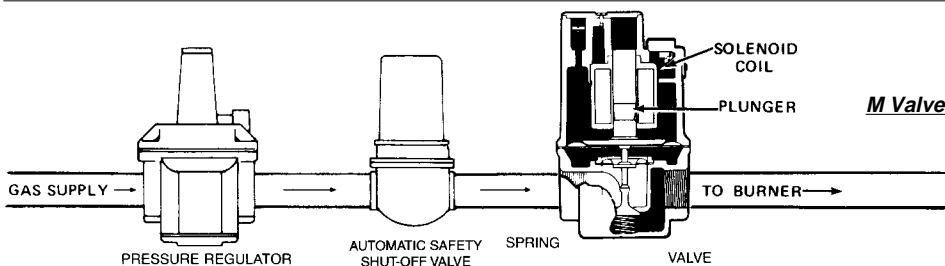
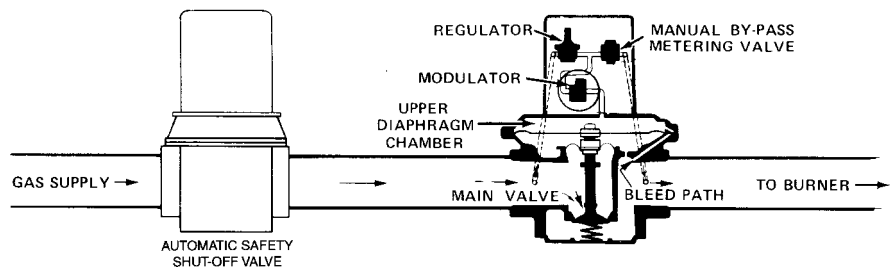
Remote Temperature Selector: Not temperature sensitive (selects space temperature). Remove cover to mount in any convenient location. **Note:** *Temperature selector and sensor must have same temperature range to be compatible.*

Remote Temperature Sensor: Senses space temperature. Remove cover to mount in area where representative space temperature is to be sensed.

Typical Gas Trains

Modulator (M) or Modulator-Regulator (MR) Valve: Mount in upright position in horizontal run of pipe, downstream of other controls - a separate gas pressure regulator must be used with any modulator (M) valve.

MR Valve: Modulator-regulator valve

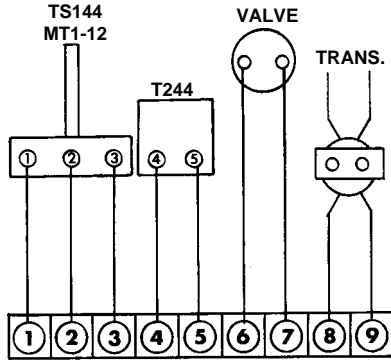


M Valve: Regulator upstream of modulator valve

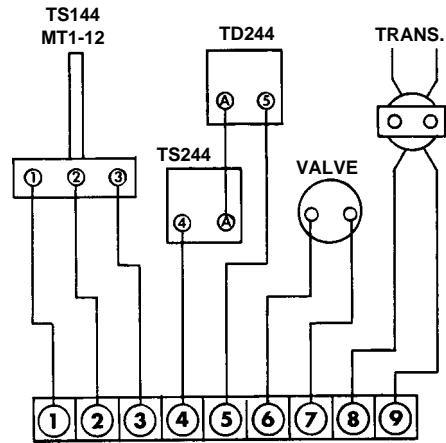
Field Service Checklist

Wiring Diagrams

Amplifier with Selectrastat



Amplifier with remote temperature sensor and separate temperature selector



(Terminal locations shown for A1044 [and C, D, E] model amplifiers.
A1044L1 [and CL1, DL1, EL1] model terminal blocks 1-5 and 6-9 are at opposite ends of the board)

Valve Adjustments

(See bulletin MT2035 for additional M/MR valve information)

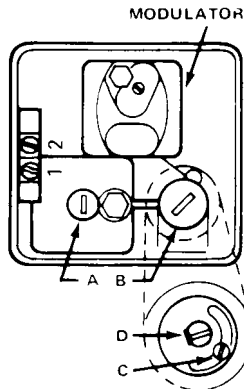
NOTE: Low fire adjustment should be checked whenever the high fire adjustment is changed.

MR 212 VALVE

High Fire Manifold Adjustments:

1. Disconnect wires from amplifier terminal #2 & #4.
This causes the valve to go to continuous high fire.
2. Remove seal cap (A), and turn regulator pressure adjusting screw to obtain desired manifold pressure. (Clockwise rotation increases pressure.)
3. Reconnect the wires to amplifier terminal #2 & #4.

NOTE: If low fire bypass is on maximum, the desired high fire outlet pressure may not be achieved.



Low Fire or Bypass Adjustments:

1. Disconnect wire from amplifier terminal #8, this causes valve to go to continuous low fire.
2. Remove cap (B), and loosen lock screw (C). Turn (D) to desired low fire adjustment. (Clockwise rotation reduces minimum flow rate.)
3. Tighten set screw (C), replace cap (B) and reconnect wire to amplifier terminal #8.

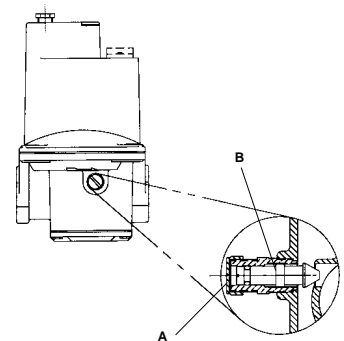
M411, 511, 611 VALVE

High Fire Manifold Adjustments:

1. Disconnect wires from amplifier terminal #2 & #4, this causes the valve to go to continuous high fire.
2. Adjust the pressure regulator to obtain the desired manifold pressure (7" w.c. maximum).
3. Reconnect the wires to amplifier terminal #2 & #4.

Low Fire or Bypass Adjustments:

1. Disconnect wire from amplifier terminal #8, this causes the valve to go to continuous low fire.
2. Remove cap (A), and turn adjusting screw (B) to desired low fire adjustment. (Clockwise rotation reduces minimum flow rate.)
3. Replace cap (A), and reconnect wire to amplifier terminal #8.



Preliminary Circuit Analysis

This Preliminary Circuit Analysis will provide identification of faulty components, improper wiring or calibration, and other difficulties when used with the tabulated Field Service Checklist (pages 4 & 5).

Note: All voltages and resistance readings are approximate.

Section I

1. Wire the system (per Figure 1 below).
2. Connect a DC voltmeter to amplifier terminals #6 & #7.
3. Turn the Test-Potentiometer to minimum resistance. (2,000 ohms). The DC voltage should read 0 volts.
4. Turn the Test-Potentiometer slowly to maximum resistance (12,000 ohms). The DC voltage should gradually increase to at least 18 volts.
If proper voltages are observed continue on with Section II.
If proper voltages are not observed, the problem is identified with the Amplifier, the 24-volt AC power supply, or the circuit connected to terminals #6 & #7.

Section II

1. Turn power OFF, wire system (per Figure 2 below), turn power ON.
2. Turn Test-Potentiometer to minimum resistance, the voltage should be 0 volts.
3. Turn Test-Potentiometer slowly to maximum resistance, the DC voltage should gradually increase to at least 18 volts.
If proper voltages are observed in both Sections I & II, the amplifier is satisfactory.
If proper voltages are not observed, continue testing to identify the difficulty. Faults may be identified with the amplifier, the 24V power supply, or the circuit connected to terminals #6 & #7. See Field Service Checklist.

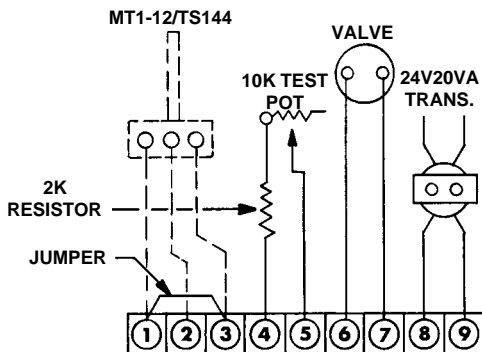



Figure 1

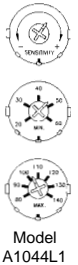
Section III

1. Observe burner flames and/or burner pressure as Test-Potentiometer is turned through full range. **Note:** From 0-5 volts, heater should be at by-pass or low, 5-15 volts, heater should respond with various input rates; beyond 15 volts, heater is at maximum input.
If proper operation is observed, continue procedure to check operation of sensing and selecting components.
If proper operation is not observed, see Field Service Checklist to test M or MR valves and connecting wiring.

Section IV

1. With proper voltages observed thus far and modulator responding correctly, wire the system (see Figure 1 below), except have TS144 connected in place of jumper. Set MIN temperature selector at least 10° F above outdoor temperature. Set MAX temperature selector at mid-range. Heater is now under control by the


(or)
 TS144 Discharge Air Monitor.
2. Turn Test-Potentiometer to maximum resistance, delivered air temperature should be per MAX temperature setting. Turn Test-Potentiometer to minimum resistance, delivered air temperature should be per MIN temperature setting.
If proper delivered air temperatures are observed, the problem is identified with the space temperature sensing and/or temperature selecting components and circuits. See Field Service Checklist.
If proper delivered air temperatures are not observed, check calibration. See Field Service Checklist.



Section V

1. After test, remove all test equipment and reconnect all components.

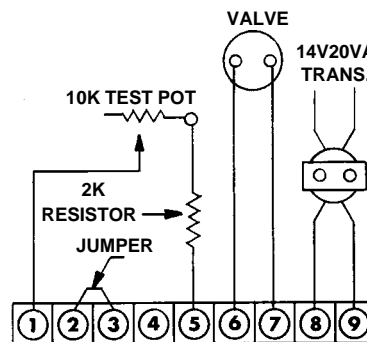


Figure 2

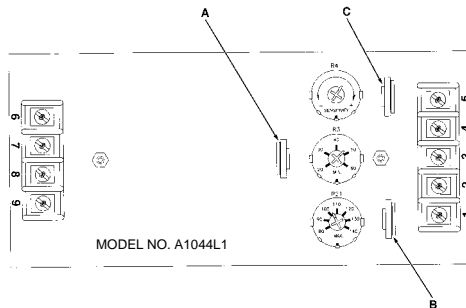
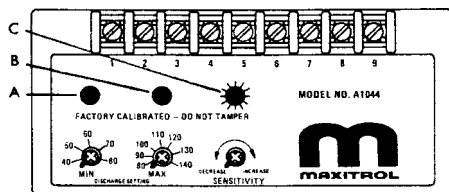
(Terminal locations shown for A1044 [and C, D, E] model amplifiers. A1044L1 [and CL1, DL1, EL1] model terminal blocks 1-5 and 6-9 are at opposite ends of the board)

Temperature Calibration

Note: All electronic components are pre-calibrated to a base resistance. This permits field replacement without upsetting system calibration.

Minimum Discharge Air Temperature

1. Install a thermometer or other temperature measuring device at a point adjacent to the tip of the TS144.
2. Connect a wire jumper between terminals #4 and #5. Be sure minimum temperature setting is at least ten degrees higher than outdoor temperature.
3. Turn the calibrating potentiometer (A) until the reading of the thermometer adjacent to the TS144 agrees with the minimum setting of the Discharge Air Temperature Selector. Clockwise rotation increases temperature (A1044L model adjusted from blue side).
4. Remove jumper.



3. Turn the calibrating potentiometer (B), until the reading of the thermometer adjacent to the TS144 agrees with the maximum setting of the Discharge Air Temperature Selector. Clockwise rotation increases temperature (A1044L1 model adjusted from blue side). Be sure temperature setting does not exceed the design temperature rise of the heater.

4. Remove resistor and reconnect wires.

Space Temperature

1. Install a thermometer or other temperature measuring device at a point adjacent to the T244 or the TS244. Set the T244 or the TD244 (whichever is used) for the desired room temperature. Because of the large space being heated, wait at least one half hour* to make certain adjustment is needed.
2. If the temperature reading is different from the temperature setting, turn (C) clockwise for an increase in

space temperature and counterclockwise for a decrease in temperature. Each increment on adjustment C is approximately 2.5 degrees (A1044L1 model adjusted from blue side). After an adjustment has been made, give the room temperature at least one half hour* to settle out before rechecking.

* One half hour is only a time estimate. Longer or shorter periods may be required for the temperature to stabilize. Be sure space temperature is stabilized before attempting calibration!

Maximum Discharge Air Temperature

1. Install a thermometer or other temperature measuring device at a point adjacent to the tip of the TS144.
2. Disconnect wires from terminals #4 & #5. Connect 12K resistor across terminals #4 & #5.

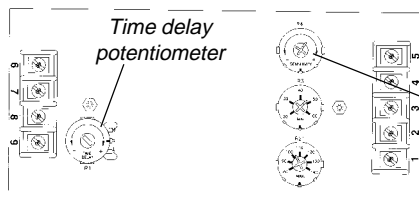
Low Fire Start Time Adjustment

On A1044L1 (CL1, DL1, EL1) amplifiers, the low fire start duration is adjustable from approximately 0-30 seconds, and begins timing after the amplifier has been energized.

High fire is delayed, and the M/MR valve remains in the low fire setting position during the delay time period.

Use a small screwdriver to adjust the time delay potentiometer.

Turn clockwise (+) to increase low fire start duration, and counter-clockwise (-) to decrease low fire start duration.



A1044L1 (CL1, DL1, EL1) cover removed

Sensitivity adjustment



A1044 (C, D, E) model amplifier

Sensitivity Adjustment

The sensitivity control will allow the user to control the response of the system. Caution should be exercised in the use of this adjustment. Under normal usage the pointer should be located on the mark of the label.

If hunting is encountered (rapid oscillation), rotating the sensitivity control counterclockwise may dampen the oscillation, stabilizing the flame.

DO NOT adjust unless necessary, because decreasing the sensitivity will increase the temperature "DROOP" of the system.

A copyrighted publication of

MAXITROL®



Maxitrol Co. USA

23555 TELEGRAPH RD. • P.O. BOX 2230

SOUTHFIELD, MI 48037-2230

248/356-1400 • FAX 248/356-0829

WWW.MAXITROL.COM • E-MAIL: INFO@MAXITROL.COM

Mertik Maxitrol GmbH & Co. KG

INDUSTRIESTRASSE 1 48308 SENDEN, GERMANY

49-2597-9632-0 • FAX 49-2597-9632-99

WARNSTEDTERSTRASSE 3 06502 THALE, GERMANY

49-3947-400-0 • FAX 49-3947-400-200

E-MAIL: INFO@MERTIKMAXITROL.DE

tuv

DE EN ISO 9001
Zertifiziert seit 05/05/95

LITHO IN U.S.A. 5MWM