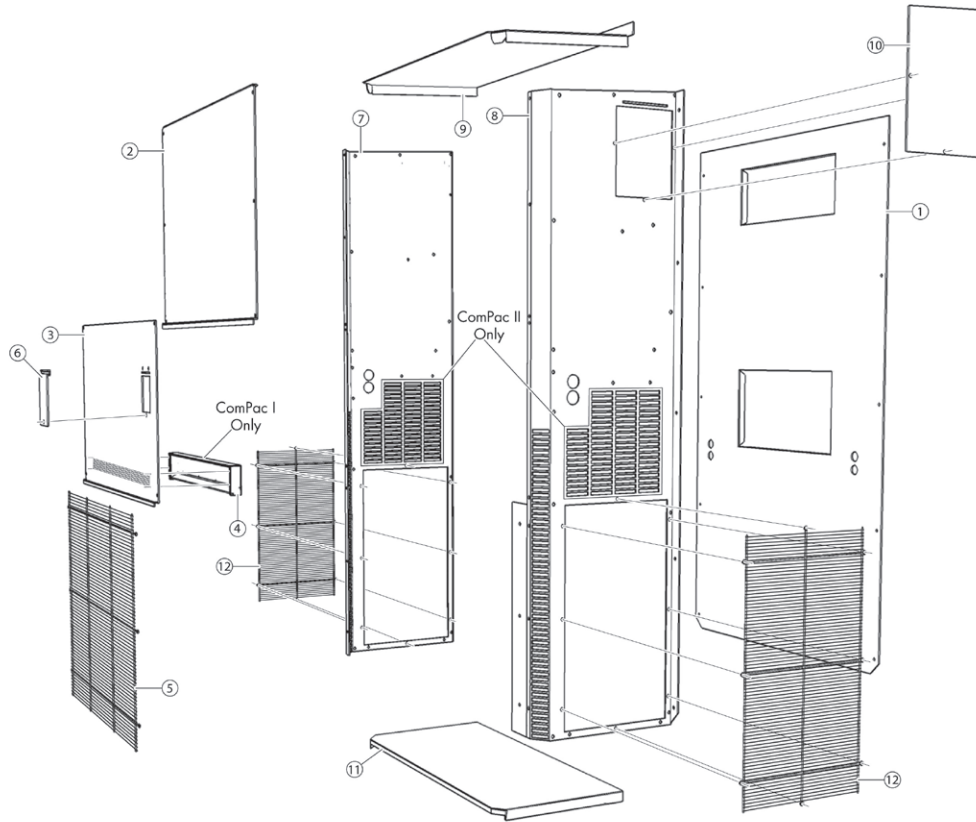


MARVAIR® COMPAC® AIR CONDITIONERS
MODELS HVPA24 & HVEA24 EXPLODED VIEW PARTS ID
EXTERIOR SHEET METAL (OUTER PANELS)



No.	Description	Part Number
		HVPA24/HVEA24
1	Panel, Back (Galvanized)	M/05034SP
2	Door, Front Top	02937SP
3	Door, Front Bottom w/Slots, Damper ^{1,2}	M/06752-XXSP
4	Fresh Air Hood - Interior ^{1,3}	M/06799SP
5	Guard, Condenser Coil	P/81393
6	Door, Disconnect Access	02715SP
7	Panel, Left Side - ComPac I	M/05037SP
	Panel, Left Side - ComPac II	M/06267SP
8	Panel, Right Side - ComPac I	M/05038SP
	Panel, Right Side - ComPac II	M/06268SP
9	Panel, Top	02905SP
10	Door, Heater Access	02922SP
11	Base Pan	02904SP
12	Screen, Side	P/81394

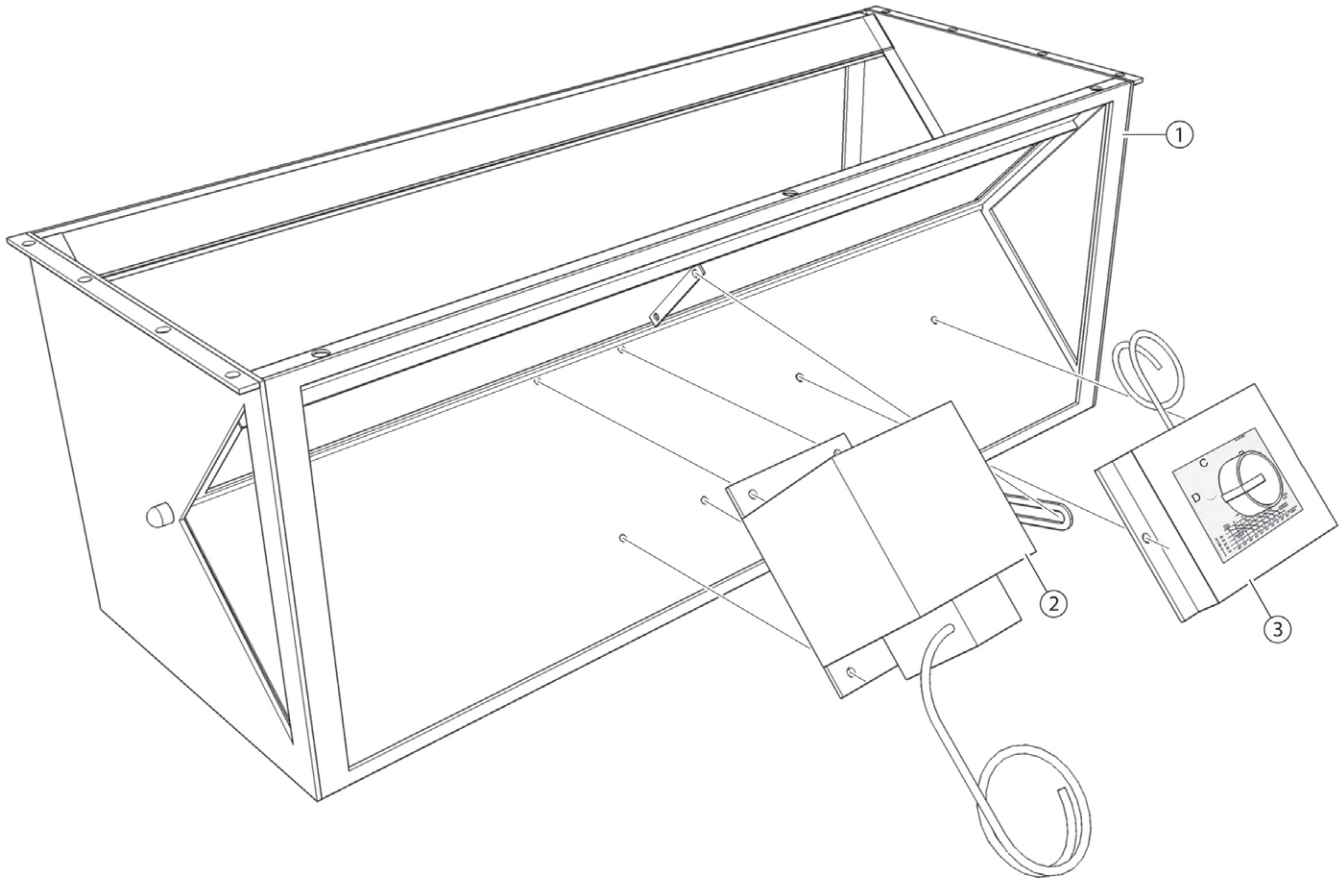
XX is for color. BG=Beige, GY=Gray, WH=White, BR=Brown, AF=Aluminum, SS=Stainless steel

¹For models with the "N" ventilation option

²For models with the "Y", "Z", "C" & "B" ventilation option. These units do not require an internal fresh air hood.

³Models with the "Y", "Z", "C" & "B" ventilation option do not require an internal fresh air hood.

MARVAIR® COMPAC® AIR CONDITIONERS
MODELS HVPA24 & HVEA24 EXPLODED VIEW PARTS ID
ECONOMIZER ASSEMBLY (COMPAC II A/C ONLY)



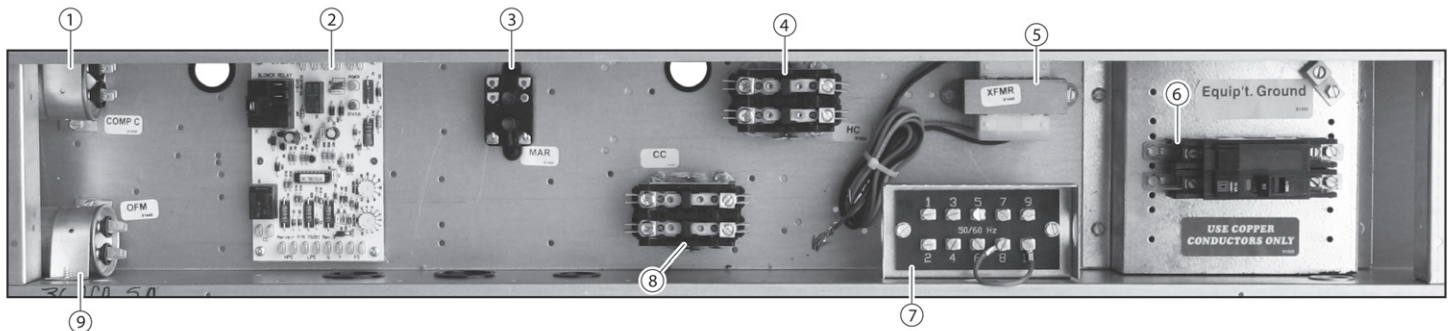
No.	Description	Part Number
		HVPA24/HVEA24
1	Economizer Assembly*	N/A
2	Motor, Economizer Damper	40101
3	H205 Enthalpy Controller	70230

*Cannot be field installed.

MARVAIR® COMPAC® AIR CONDITIONERS

MODELS HVPA24 & HVEA24 EXPLODED VIEW PARTS ID

ELECTRICAL CONTROL BOX

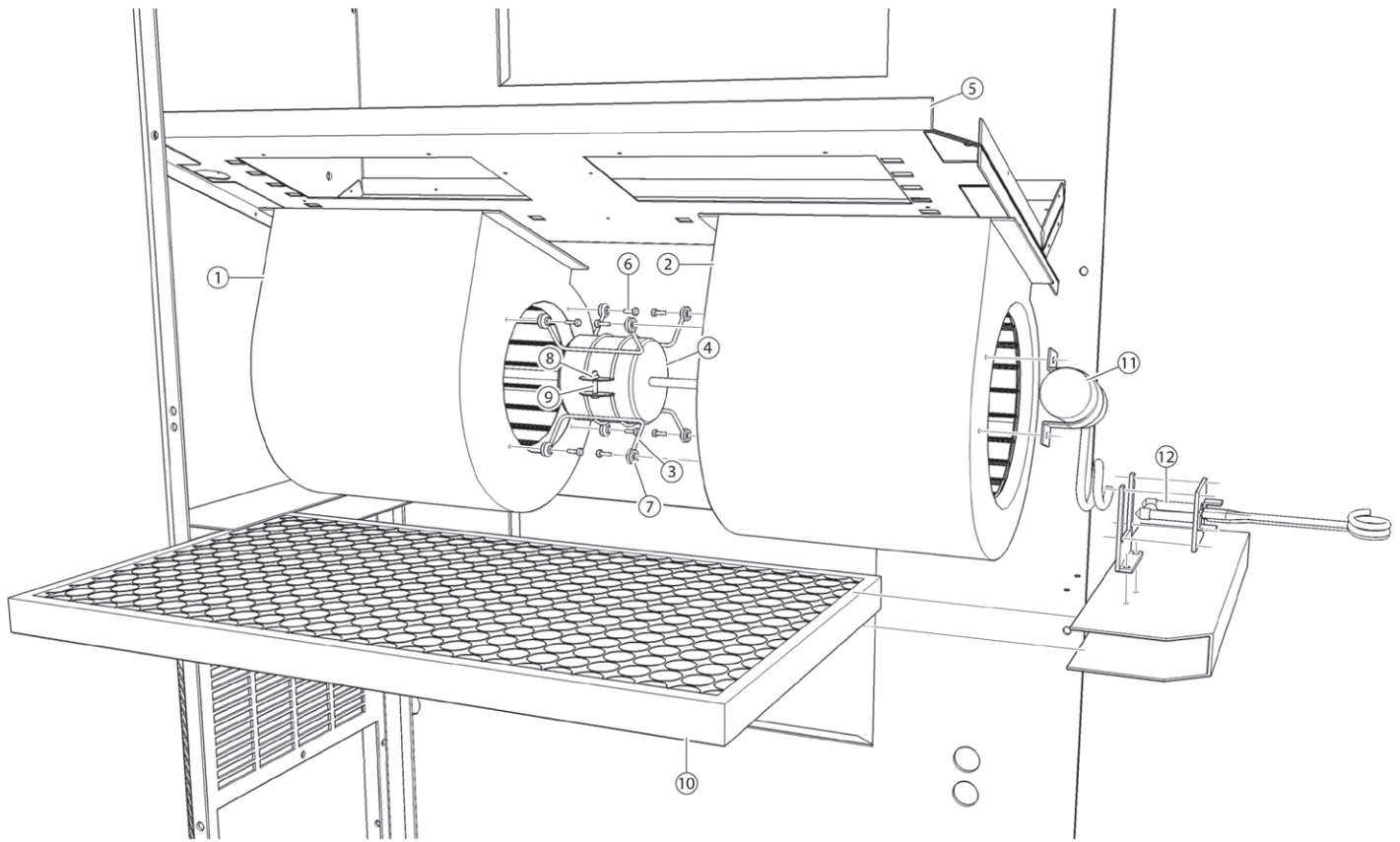


No.	Description	Part Number
		HVPA24/HVEA24
1	Compressor Capacitor 208/230 V. 1Ø for Copeland Scroll Compressors	50280
2	Air Conditioner Circuit Board	70281
3	Mixed Air Relay* (MAR)	50146
4	Heat Contactor	See Electric heater, contactor and thermal limit chart**
5	24 Volt Transformer (XFMR)	50141
6	Disconnect 240 V. 1Ø & 220 V. 1Ø	70178
	Disconnect 240 V. 3Ø & 220 V. 3Ø	70183
	Disconnect 460 V. 3Ø (Cutler Hammer)	70299
	Disconnect 460 V. 3Ø (Merlin Gerin P/N NENI34040)	70435
7	Low Voltage Terminal Board	80786
8	Compressor Contactor For All 1Ø Units	50020
	Compressor Contactor For All 3Ø Units	50040
9	Outdoor Fan Motor Capacitor - Standard	50350
	Outdoor Fan Motor Capacitor - Extreme Duty	50360
*ComPac II air conditioners with factory installed economizer only.		
** Electric Heater, Contactor & Thermal Limit Chart located on following page.		

MARVAIR® COMPAC® AIR CONDITIONERS
MODELS HVPA24 & HVEA24 EXPLODED VIEW PARTS ID
ELECTRIC HEATER, HEATER CONTACTOR & THERMAL LIMITS

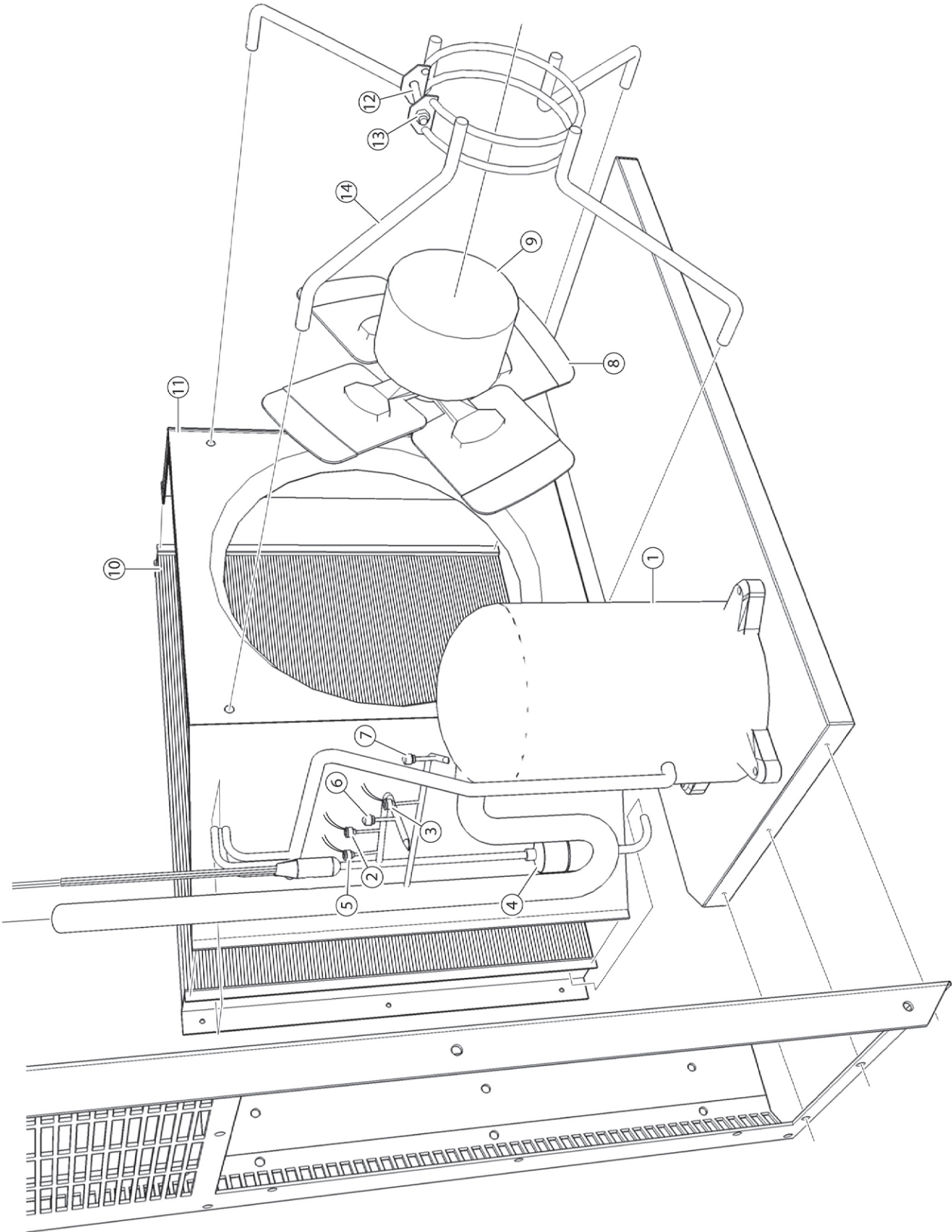
KW	Volts	Heater Element	Dual Limit Control		Single Function Limit Switch		Heater Contactor
		Part No.	QTY	Part No.	QTY	Part No.	Part No.
4	240	70413	1	70006	1	70005	50020
5	240	70412	1	70006	1	70005	50020
6	240	70444	3	70006	1	70005	50040
8	240	70414	2	70006	1	70005	50030
9	240	70445	3	70006	1	70005	50040
10	240	70411	2	70006	1	70005	50030
12	240	70446	3	70006	1	70005	50040
15	240	70410	3	70006	1	70005	50040
6	460	70440	3	70006	1	70005	50040
9	460	70441	3	70006	1	70005	50040
12	460	70442	3	70006	1	70005	50040
15	460	70443	3	70006	1	70005	50040

MARVAIR® COMPAC® AIR CONDITIONERS
MODELS HVPA24 & HVEA24 EXPLODED VIEW PARTS ID
INDOOR BLOWER (BLOWER FILTER)



No.	Description	Part Number	
		HVPA24	HVEA24
1	Blower Wheel and Housing, Left Hand	30050	
2	Blower Wheel and Housing, Right Hand	30055	
3	Blower Motor Bracket	80427	
4	Indoor Blower Motor	40048	40087
5	Drain Pan	02904SP	
6	Bolt to Secure Blower Bracket to Housing	90736	
7	Grommet for Blower Bracket	80429	
8	Nut for Motor Bracket Clamp	90610	
9	Bolt for Motor Bracket Clamp	90550	
10	Filter, 2"	80138	
11	Capacitor, Indoor Blower Motor	50238	N/A
12	Mixed Air Sensor	70229	
	Blower Assembly Includes Motor, Motor Bracket, Left Hand Blower Wheel and Housing and Right Hand Blower Wheel and Housing	S/05270	S/06909

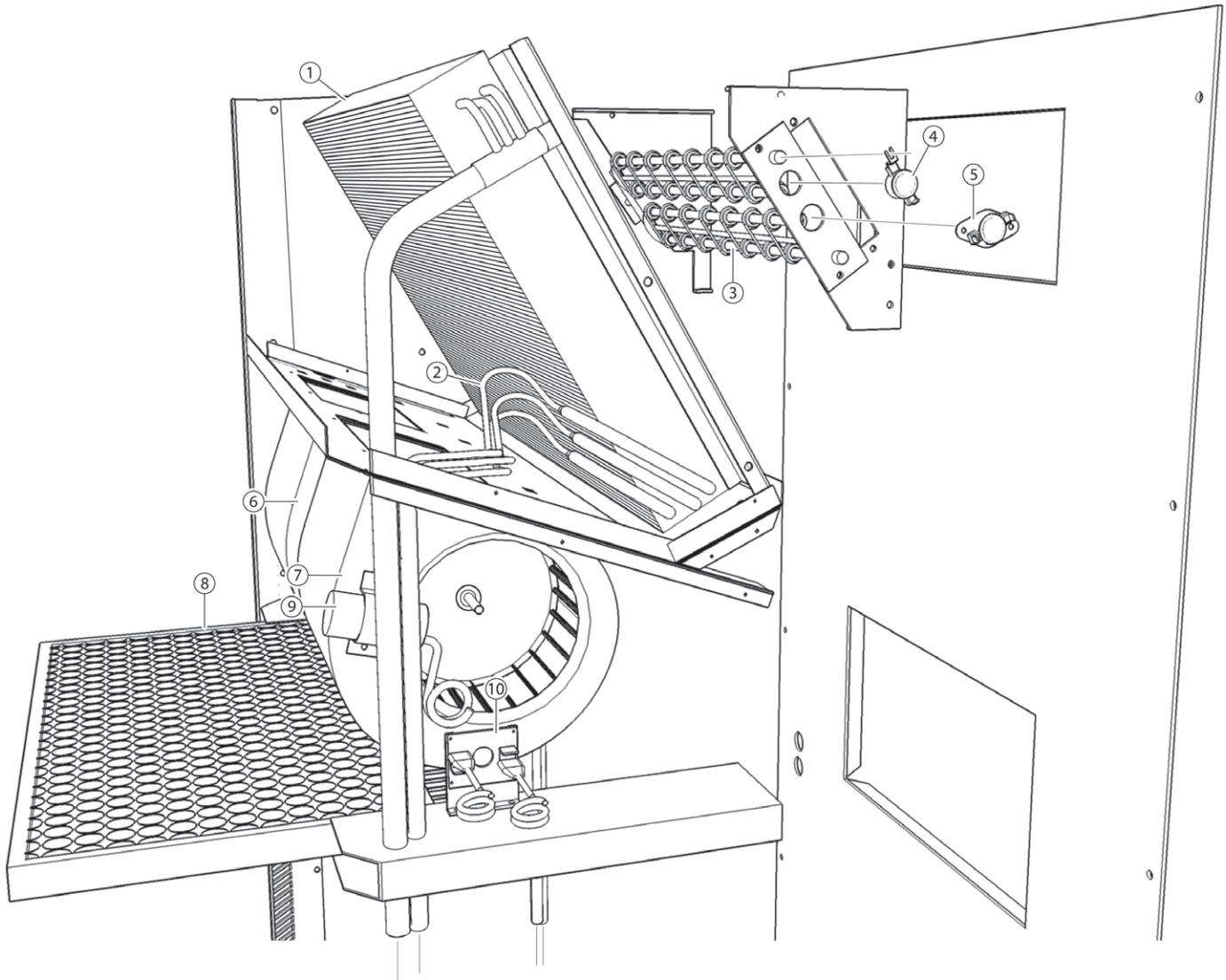
MARVAIR® COMPAC® AIR CONDITIONERS
MODELS HVPA24 & HVEA24 EXPLODED VIEW PARTS ID
COMPRESSOR & OUTDOOR COIL (OUTDOOR COIL)



MARVAIR® COMPAC® AIR CONDITIONERS
MODELS HVPA24 & HVEA24 EXPLODED VIEW PARTS ID
COMPRESSOR & OUTDOOR COIL (OUTDOOR COIL)

No.	Description	Part Number	
		HVPA24	HVEA24
1	Compressor (Copeland Scroll), 208-230v. 1ø, 60 Hz	10333	
	Compressor (Copeland Scroll), 208-230v. 3ø, 60 Hz	10327	
	Compressor (Copeland Scroll), 460v. 3ø, 60 Hz	10328	
2	High Pressure Switch	70572	
3	Low Pressure Switch	70342	
4	Filter Drier	70370	
5	Low Ambient Fan Cycle Control	S/07435*	
6	High Pressure Refrigerant Access Valve	20237	
7	Low Pressure Refrigerant Access Valve	20237	
8	Fan Blade	30115	
9	Motor, Outdoor Fan (Standard)	40096	
	Motor, Outdoor Fan (Extreme Duty)	40054	
10	Condenser Coil	60375	
11	Outdoor Fan Venturi Panel (Galvanized)	02270SP	
12	Bolt, Outdoor Motor Bracket	90550	
13	Nut, Outdoor Motor Bracket	90610	
14	Bracket, Outdoor Fan Motor	80420	
†	Transformer, 460v. to 230v. Only on 460v. Models.		
*The S/07435 is the field replacement of the factory installed low ambient fan cycle control, includes swivel tee. †Not Shown			

MARVAIR® COMPAC® AIR CONDITIONERS
MODELS HVPA24 & HVEA24 EXPLODED VIEW PARTS ID
INDOOR COIL, BLOWER & HEATER (INDOOR COIL BLOWER)



No.	Description	Part Number	
		HVPA24	HVEA24
1	Coil, Indoor	60385	
2	Distributor/Orifice (.053")	20117/20064	N/A
	Distributor/Thermal Expansion Valve (TXV)	N/A	20367/20396
3	Heater	See Heater Chart	
4	Switch, Dual Function Thermal Cut-Out Switch	70006	
5	Switch, Single Function Thermal Cut-Out Switch	70005	
6	Blower Wheel and Housing, Left Hand	30050	
7	Blower Wheel and Housing, Right Hand	30055	
8	Filter, 2"	80138	
9	Capacitor, Indoor Blower Motor	50238	N/A
10	Mixed Air Sensor	70229	