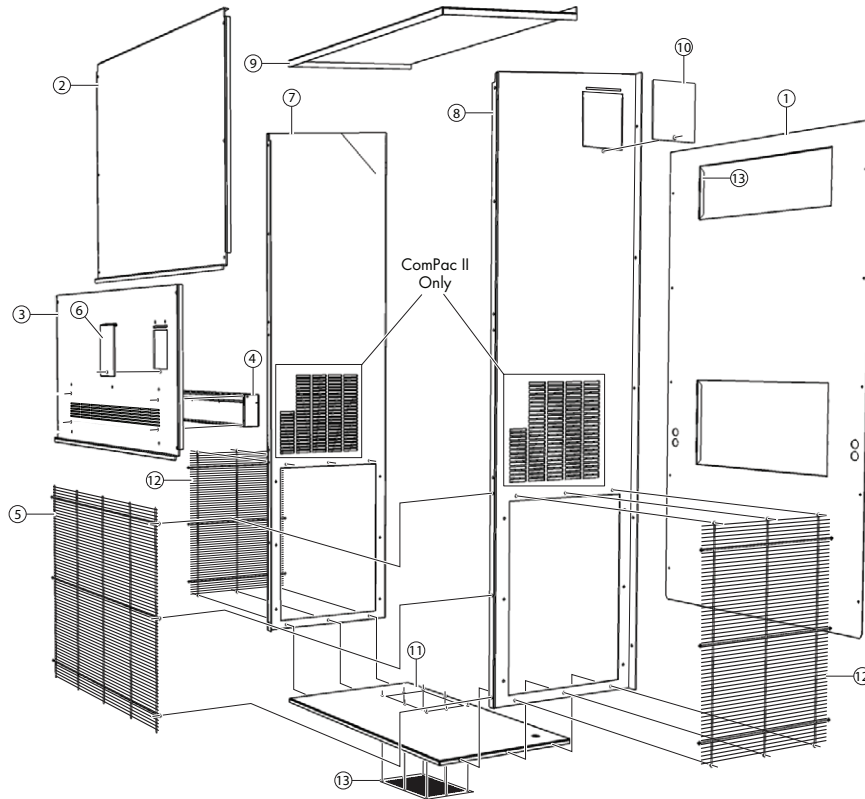


MARVAIR® COMPAC® AIR CONDITIONERS
MODELS AVPC42-48-60 EXPLODED VIEW PARTS ID
EXTERIOR SHEET METAL (OUTER PANELS)



No.	Description	Part Number		
		42	48	60
1	Panel, Back (Galvanized)		M/04996-SP	
2	Door, Front Top		M/01294-XXSP	
3	Door, Front Bottom w/Slots ^{1,2} (shown)		M/08390-XXSP	
	Door, Front Bottom w/Ext. Fresh Air Hood (not shown)		M/01295-XXSP	
	Door, Bottom with no slots (ComPac I with Desert Duty)		M/04504-XXSP	
4	Fresh Air Hood - Interior ^{1,3} (shown)		M/06801-XXSP	
	Fresh Air Hood & Damper- Exterior (not shown)		02109-XXSP	
5	Guard, Condenser Coil		P/81397	
6	Door, Disconnect Access		M/08388-XXSP	
7	Panel, Left Side - ComPac I		M/01558-XXSP	
	Panel, Left Side - ComPac II		M/01293-XXSP	
8	Panel, Right Side - ComPac I		M/01557-XXSP	
	Panel, Right Side - ComPac II		M/01292-XXSP	
9	Panel, Top		M/01291-XXSP	
10	Cover, Heater Access		M/01324-XXSP	
11	Base Pan for Compressor On Left Side (std)		M/07795-SP	
	Base Pan for compressor On Right Side (opposite)		M/07797-SP	
12	Screen, Side		P/81396	
13	Slotted Cover Plate for M/07795-SP Base Pan		M/07796-SP	
	Slotted Cover Plate for M/07797-SP Base Pan		M/07798-SP	

XX is for color. BG=Beige, GY=Gray, WH=White, BR=Brown, AF=Aluminum, SS=Stainless steel

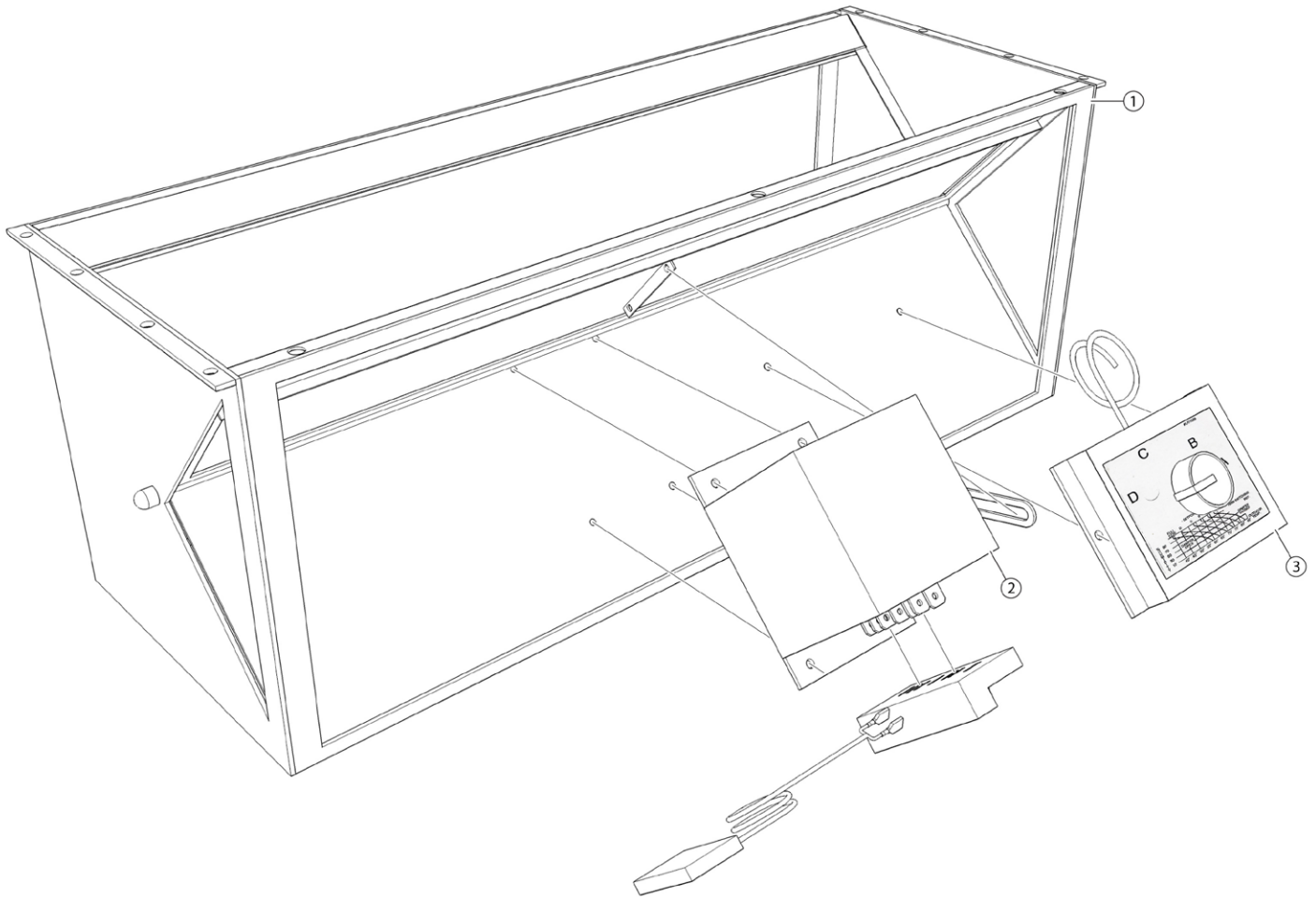
¹For models with the "N" ventilation option

²For models with the "Y", "Z", "C" and "B" ventilation option. These units do not require an internal fresh air hood.

³Models with the "Y", "Z", "C" and "B" ventilation option do not require an internal fresh air hood.

Note: ComPac I units with the Desert Duty Package do not have a damper.

MARVAIR® COMPAC® AIR CONDITIONERS
MODELS AVPC42-48-60 EXPLODED VIEW PARTS ID
ECONOMIZER ASSEMBLY (COMPAC II A/C ONLY)

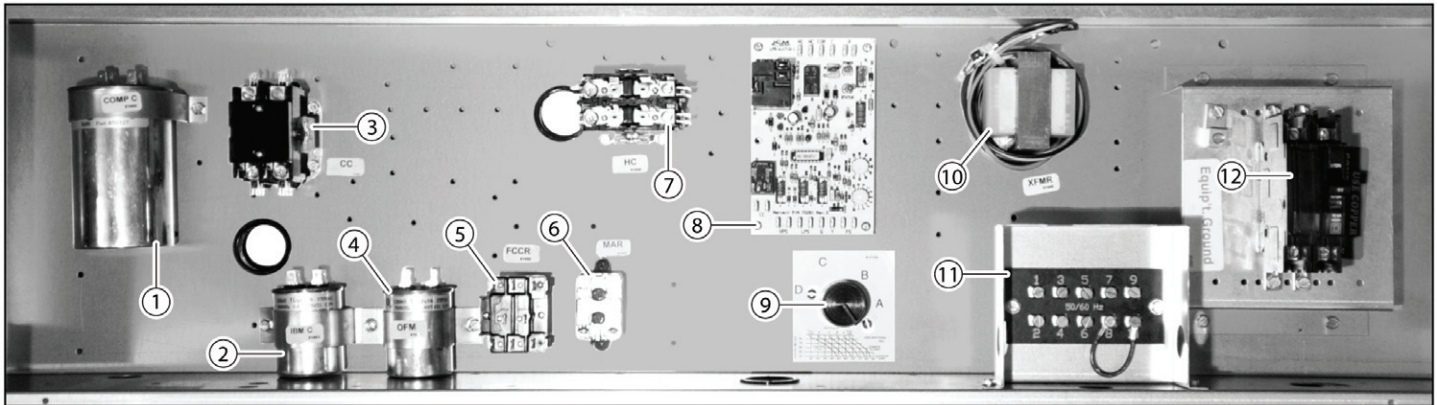


No.	Description	Part Number
		AVPC72AC
1	Economizer Assembly*	K/01706
2	Motor, Economizer Damper	40101
3	H2050 Enthalpy Controller (Field Replacement)	K/03681

*Cannot be field installed.

The W7459A solid state economizer logic module replaces the H2050 enthalpy controller. The W7459A solid state economizer logic module requires a enthalpy sensor, Marvair part #70571. If the H2050 controller is replaced, both the W7459A solid state economizer logic module and the 70571 enthalpy sensor must be ordered. The damper motor, part no. 40101, can be used with either the solid state economizer logic module or the H2050 enthalpy controller.

MARVAIR® COMPAC® AIR CONDITIONERS
MODELS AVPC42-48-60 EXPLODED VIEW PARTS ID
TYPICAL ELECTRICAL CONTROL BOX



Due to the various configurations and options, your control box maybe different from the one shown.

No.	Description	Part Number		
		42	48	60
1	Compressor Capacitor: 208/230 V. 1Ø, 60 Hz. Scroll Compressors	50322	50323	50159
	Compressor Capacitor: 200/220 V. 1Ø, 50 Hz. Scroll Compressors	50294	50323	50152
2	Indoor Blower Motor Capacitor (IBMC)	50360		
3	Compressor Contactor for 1Ø Units	50020	50020	50030
	Compressor Contactor for 3Ø Units	50040		
4	Outdoor Fan Motor Capacitor - 50 & 60 Hz. Units	50360		
5	Fan Cycle Control Relay (FCCR)	P/50182		
6	Mixed Air Relay ¹ (MAR)	50023		
7	Heat Contactor	See Electric Heater, Contactor, and Thermal Limit Chart ²		
8	Air Conditioner Circuit Board	70281		
9	Enthalpy Controller ¹ (Includes Module, p/n 50011 and Sensor, p/n 70571)	K/03681		
10	24 Volt Transformer (XFMR)	50141		
11	Low Voltage Terminal Board	80786		
12 ³	Disconnect 240 V. 1Ø & 220 V. 1Ø	70533		
	Disconnect 240 V. 3Ø & 220 V. 3Ø	70532		
	Disconnect 460 & 380 V. 3Ø (Cutler Hammer)	70299		
	Disconnect 460 & 380 V. 3Ø (Merlin Gerin P/n NENL34040)	70435		
NS	Terminal block on all units with electric heat	80582		

¹ComPac II air conditioners with factory installed economizer only.

²Electric Heater, Contactor & Thermal Limit Chart located on following page.

³For units built after the summer of 2012, the compressor and electric heat will have separate breakers. Please refer to the breaker charts for the correct breaker.

NS=Not Shown

MARVAIR® COMPAC® AIR CONDITIONERS
MODELS AVPC42-48-60 EXPLODED VIEW PARTS ID
ELECTRIC HEATER, HEATER CONTACTOR & THERMAL LIMITS

KW	Volts	Heater Element		Dual Limit Control		Single Function Limit Switch		Heater Contactor
		Part No.	QTY	Part No.	QTY	Part No.	QTY	Part No.
4	240	70413	1	70006	1	70005	50020	
5	240	70412	1	70006	1	70005	50020	
6	240	70444	3	70006	1	70005	50040	
8	240	70414	2	70006	1	70005	50030	
9	240	70445	3	70006	1	70005	50040	
10	240	70411	2	70006	1	70005	50030	
12	240	70446	3	70006	1	70005	50040	
15	240	70410	3	70006	1	70005	50040	
6	460	70440	3	70006	1	70005	50040	
9	460	70441	3	70006	1	70005	50040	
12	460	70442	3	70006	1	70005	50040	
15	460	70443	3	70006	1	70005	50040	

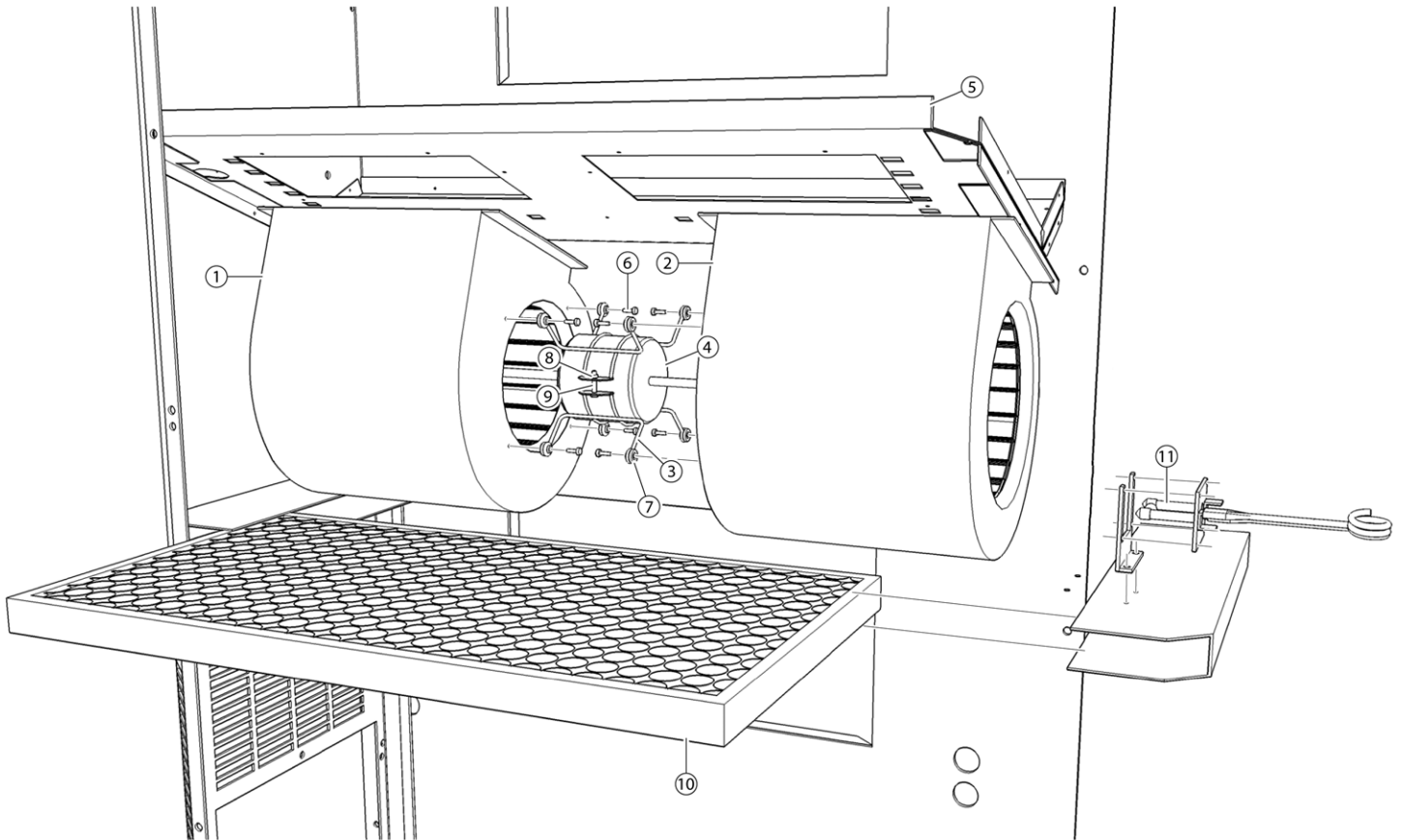
COMPRESSOR CIRCUIT BREAKER PART NUMBERS

Unit	All Single Phase Units		208-240v. 3ø 60 Hz. and 50 Hz. Units		460v. and 380 v. 3ø Units	
	Circuit #1		Circuit #1		Circuit #1	
	P/N	Amps	P/N	Amps	P/N	Amps
12	70534	20				
20	70536	30				
24	70538	40	70545	40	70548	15
30	70538	40	70545	40	70548	15
36	70533	60	70532	60	70550	25
40	70533	60	70532	60	70550	25
42	70533	60	70532	60	70550	25
48	70533	60	70532	60	70550	25
49	70533	60	70532	60	70550	25
60	70533	60	70532	60	70550	25
72	70533	60	70532	60	70550	25

ELECTRIC HEAT CIRCUIT BREAKER PART NUMBERS

Single Phase			208/230v. 3 phase			460 & 380 v. 3ø		
Electric Heat Element		Part No.	Electric Heat Element		Part No.	Electric Heat Element		Part No.
kW	Volts		kW	Volts		kW	Volts	
3.6	240	70534						
4	240	70535						
5	240	70536	5	240	70540	5	480	70548
6	240	70537	6	240	70541	6	480	70548
7.5	240	70538	7.5	240	70542	7.5	480	70548
8	240	70539						
9	240	70547	9	240	70543	9	480	70548
10	240	70533	10	240	70544	10	480	70548
12	4	240	12	240	70545	12	480	70549
	8							
15	5	240	15	240	70546	15	480	70550
	10							
20	10	240						
	10		70533					

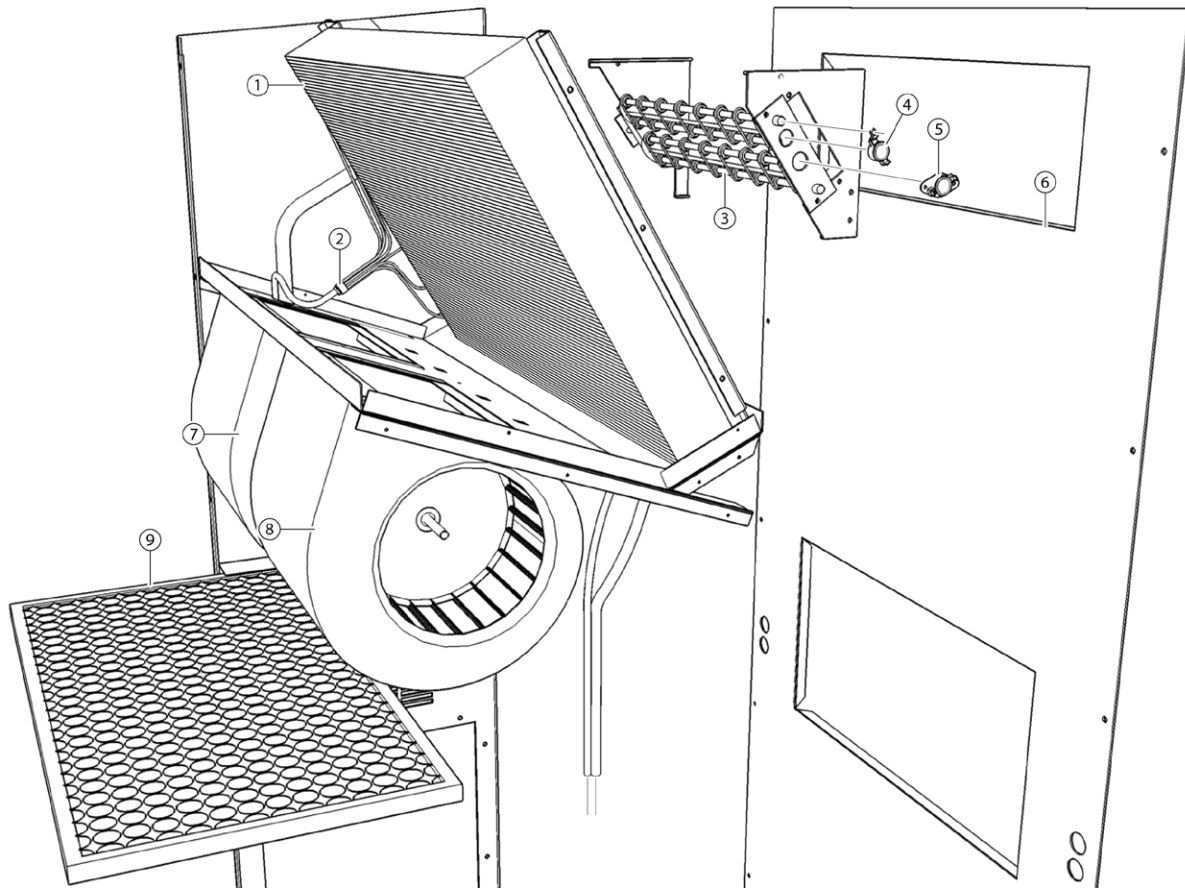
MARVAIR® COMPAC® AIR CONDITIONERS
MODELS AVPC42-48-60 EXPLODED VIEW PARTS ID
INDOOR BLOWER AND FILTER



No.	Description	Part Number		
		42	48	60
1	Left Hand Blower Wheel and Housing	30090		
2	Right Hand Blower Wheel and Housing	30092		
3	Blower Motor Bracket	80428		
4	Indoor Blower Motor - 60Hz	40099	40099	40046
	Indoor Blower Motor - 50Hz	40146		40144
5	Drain Pan	96060SP		
6	Bolt to Secure Blower Bracket to Housing (6)	90736		
7	Grommet for Blower Bracket (6)	80429		
8	Nut for Motor Bracket Clamp	90610		
9	Bolt for Motor Bracket Clamp	90550		
10	Filter, 2"	80162		
11	Mixed Air Sensor*	70229		
	Blower Assembly Includes Motor, Motor Bracket, Left Hand Blower Wheel and Housing and Right Hand Blower Wheel and Housing	S/03464SP	S/03464SP	S/03677SP

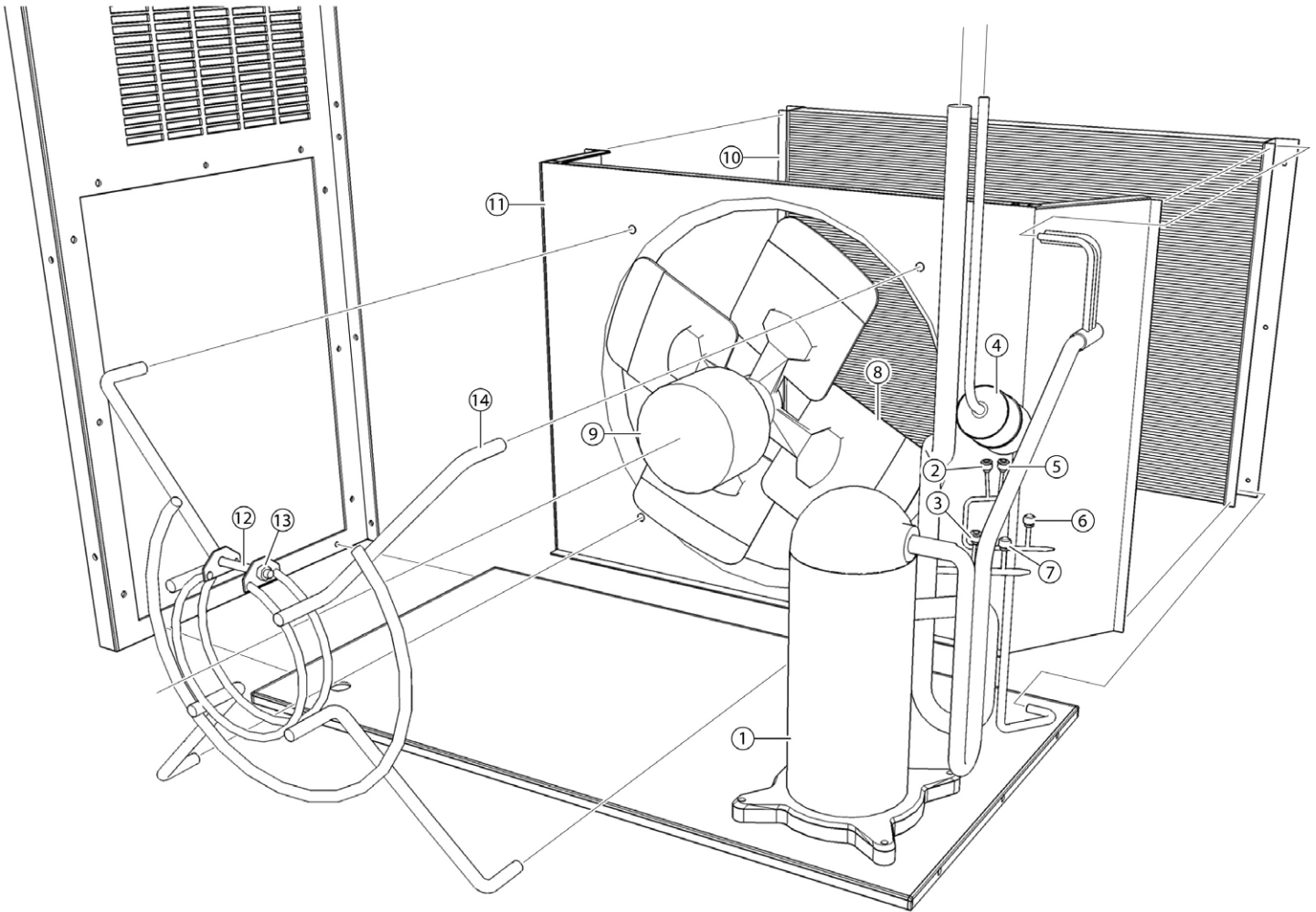
*ComPac II air conditioners with factory installed economizer only.

MARVAIR® COMPAC® AIR CONDITIONERS
MODELS AVPC42-48-60 EXPLODED VIEW PARTS ID
INDOOR COIL, BLOWER & HEATER (INDOOR COIL BLOWER)



No.	Description	Part Number		
		42	48	60
1	Coil, Indoor	60360	60340	60156
2	Distributor Assembly	20367 (3)	20368 (3)	20387 (4)
	Thermal Expansion Valve-TXV	20506		
3	Heater	See Heater Chart		
4	Switch, Dual Function Thermal Cut-Out Switch	70006		
5	Switch, Single Function Thermal Cut-Out Switch	70005		
6	Panel, Back (Galvanized)	M/04996-SP		
7	Left Hand Blower Wheel & Housing	30090		
8	Right Hand Blower Wheel & Housing	30092		
9	Filter, 2"	80162		

MARVAIR® COMPAC® AIR CONDITIONERS
MODELS AVPC42-48-60 EXPLODED VIEW PARTS ID
COMPRESSOR & OUTDOOR COIL (OUTDOOR COIL)



No.	Description	Part Number		
		42	48	60
1	Compressor, 208-230v. 1ø, 60 Hz	10276	10279	10423
	Compressor, 208-230v. 3ø, 60 Hz	10277	10254	10281
	Compressor, 460v. 3ø, 60 Hz.	10278	10280	10280
	Compressor, 380v. 3ø, 50 Hz.	10278	10280	10280
	Compressor, 200-220v. 1ø, 50 Hz	10294	10295	10295
2	High Pressure Switch		70279	
3	Low Pressure Switch		70047	
4	Filter Drier		70389	
5	Low Ambient Fan Cycle Control		S/03998*	
6	High Pressure Refrigerant Access Valve		20237	
7	Low Pressure Refrigerant Access Valve		20237	
8	Fan Blade		30135	

Continues on next page

MARVAIR® COMPAC® AIR CONDITIONERS
MODELS AVPC42-48-60 EXPLODED VIEW PARTS ID
COMPRESSOR & OUTDOOR COIL (OUTDOOR COIL)

Continued from previous page

9	Motor, Outdoor Fan - 60Hz	40085		
	Motor, Outdoor Fan - 50Hz	40164		
10	Condenser Coil	60345	60345	60345
11	Outdoor Fan Venturi Panel (Galvanized)	01812-SP		
12	Bolt, Outdoor Motor Bracket	91088		
13	Nut, Outdoor Motor Bracket	90610		
14	Bracket, Outdoor Fan Motor	80653		
†	Transformer, 460v. to 230v. Only on 460v. Models.	50147	50147	P/50007
*The S/03998 is the field replacement of the factory installed low ambient fan cycle control, includes swivel tee. †Not Shown				