

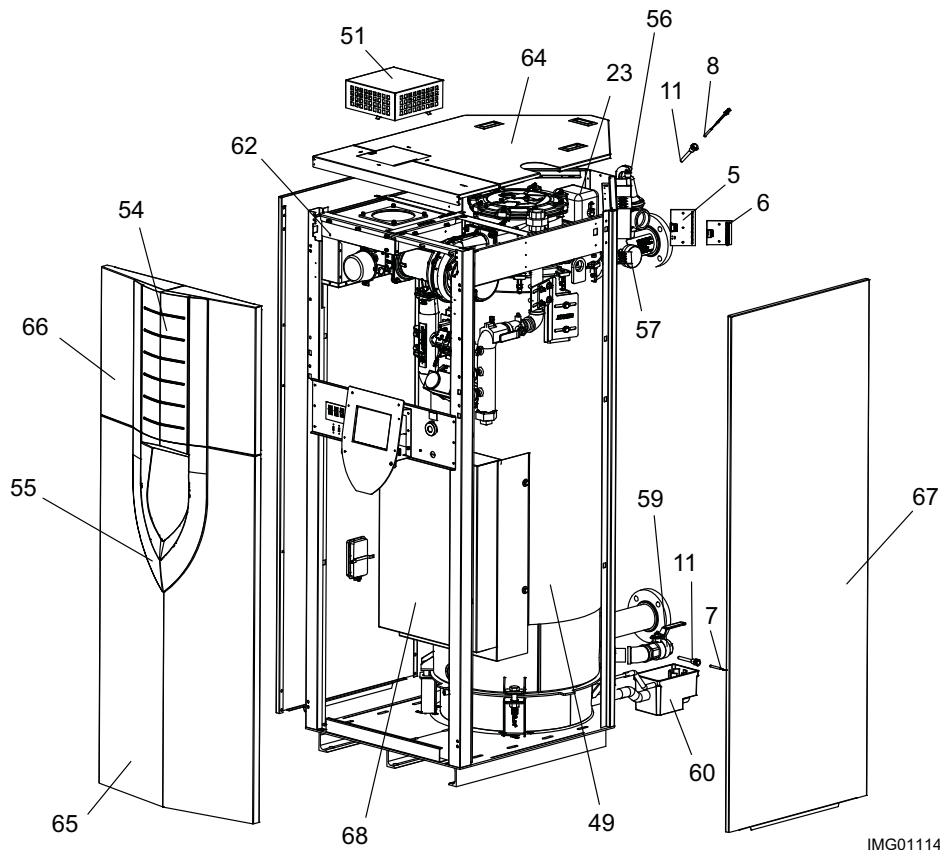
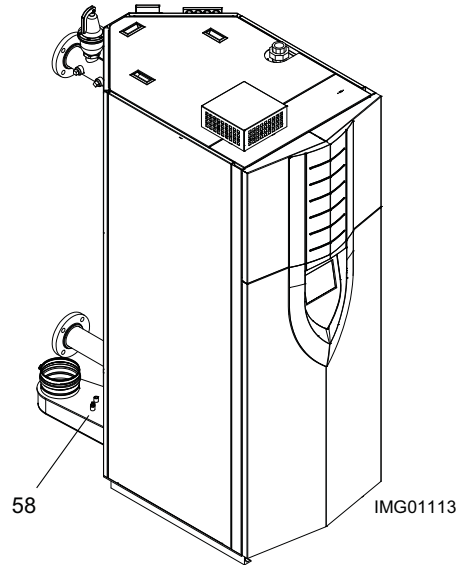


Lochinvar[®]
HIGH EFFICIENCY BOILERS & WATER HEATERS

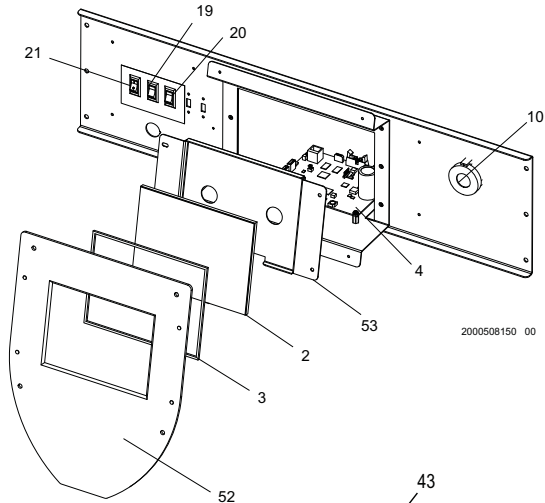
PARTS & SERVICE DEPARTMENT
Nashville, Tennessee
615-889-8900 • Fax: 615-882-2918
parts_team@lochinvar.com
www.Lochinvar.com

Replacement Parts List

Crest[®]
Heating Boilers
FBN(L) 751 - 2001

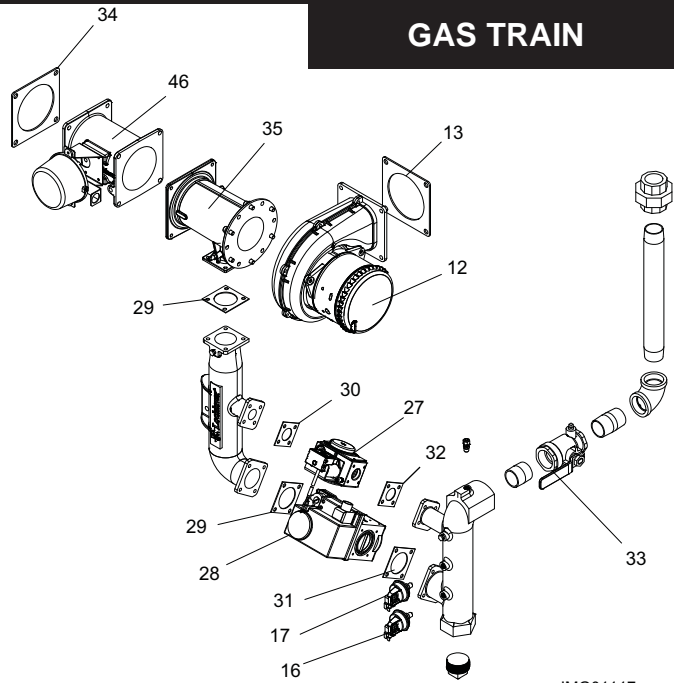


DISPLAY PANEL



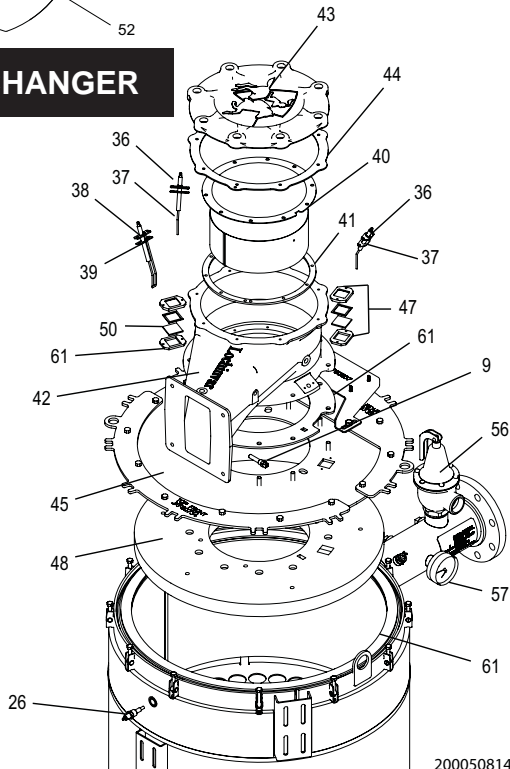
2000508150 00

GAS TRAIN



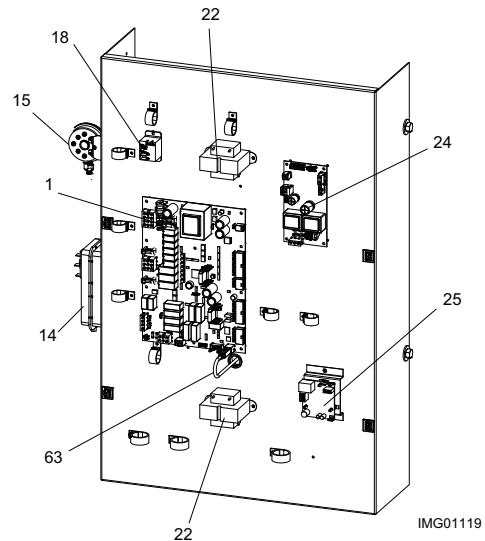
IMG01117

HEAT EXCHANGER



2000508147

CONTROL PANEL



IMG01119

ITEM NO.	PART NO.	DESCRIPTION	MODEL
CONTROLS			
1	100267270	INTEGRATED CONTROL (BEGINNING SERIAL #4015)	FB 751-1251
1	100267301	INTEGRATED CONTROL (BEGINNING SERIAL #4015)	FB 1501-2001
2	100190853	LCD DISPLAY (BEGINNING SERIAL #4015)	ALL
3	100266673	GASKET, LCD DISPLAY	ALL
4	100094861	DISPLAY COMMUNICATION CONTROL (BEGINNING SERIAL #4015)	ALL
5	100167609	LOW VOLTAGE CONTROL BOARD	ALL
6	100167590	LOW VOLTAGE CONTROL BOARD	ALL
7	100170581	SENSOR, INLET / SYSTEM	ALL
8	100170539	SENSOR, DUAL OUTLET	ALL
9	100170543	SENSOR, PREMIX GAS / AIR ARM	ALL
10	100148379	HIGH LIMIT	ALL
11	100170603	BULB WELL	ALL
12	100073294	FAN ASSEMBLY	FB 751-1251
12	100267460	FAN ASSEMBLY	FB 1501-2001
13	100146458	GASKET, FAN	FB 751-1251
13	100146347	GASKET, FAN	FB 1501-2001
14	100166186	BLOCKED FLUE / AIR PRESSURE SWITCH	ALL
15	100208374	AIR METERING VALVE SWITCH	FB 751-1251
15	100166187	AIR METERING VALVE SWITCH	FB 1501-2001
16	100166123	GAS PRESSURE SWITCH, LOW	ALL
17	100161647	GAS PRESSURE SWITCH, HIGH	ALL
18	100167731	RELAY, 120V	ALL

PLEASE HAVE MODEL AND SERIAL NUMBER WHEN ORDERING PARTS

ITEM NO.	PART NO.	DESCRIPTION	MODEL
CONTROLS (CONTINUED)			
19	100169472	MOMENTARY OFF SWITCH, RED	ALL
20	100169473	MOMENTARY OFF SWITCH, BLACK	ALL
21	100169464	ON/OFF SWITCH	ALL
22	100170172	TRANSFORMER, 24V, 40VA	ALL
23	100170181	TRANSFORMER, SPARK	ALL
24	100191023	BACNET BOARD (BEGINNING SERIAL #4015)	ALL
25	100173747	LOW WATER CUTOFF, MANUAL RESET	ALL
26	100173648	PROBE, LWCO	ALL
-	100173640	BOOT, LWCO	ALL
GAS TRAIN ASSEMBLIES			
27	100073358	GAS VALVE ASSEMBLY, NAT - SMALL	FB 751
27	100073359	GAS VALVE ASSEMBLY, NAT - SMALL	FB 1001
27	100073360	GAS VALVE ASSEMBLY, NAT - SMALL	FB 1251
27	100267412	GAS VALVE ASSEMBLY, NAT - SMALL	FB 1501
27	100267413	GAS VALVE ASSEMBLY, NAT - SMALL	FB 1751
27	100267414	GAS VALVE ASSEMBLY, NAT - SMALL	FB 2001
27	100073364	GAS VALVE ASSEMBLY, LP - SMALL	FB 751
27	100073365	GAS VALVE ASSEMBLY, LP - SMALL	FB 1001
27	100073366	GAS VALVE ASSEMBLY, LP - SMALL	FB 1251
27	100267415	GAS VALVE ASSEMBLY, LP - SMALL	FB 1501
27	100267416	GAS VALVE ASSEMBLY, LP - SMALL	FB 1751
27	100267417	GAS VALVE ASSEMBLY, LP - SMALL	FB 2001
28	100073370	GAS VALVE ASSEMBLY, NAT - LARGE	FB 751
28	100073371	GAS VALVE ASSEMBLY, NAT - LARGE	FB 1001
28	100073372	GAS VALVE ASSEMBLY, NAT - LARGE	FB 1251
28	100267418	GAS VALVE ASSEMBLY, NAT - LARGE	FB 1501
28	100267419	GAS VALVE ASSEMBLY, NAT - LARGE	FB 1751
28	100267420	GAS VALVE ASSEMBLY, NAT - LARGE	FB 2001
28	100073549	GAS VALVE ASSEMBLY, LP - LARGE	FB 751
28	100073550	GAS VALVE ASSEMBLY, LP - LARGE	FB 1001
28	100073551	GAS VALVE ASSEMBLY, LP - LARGE	FB 1251
28	100267421	GAS VALVE ASSEMBLY, LP - LARGE	FB 1501
28	100267422	GAS VALVE ASSEMBLY, LP - LARGE	FB 1751
28	100267423	GAS VALVE ASSEMBLY, LP - LARGE	FB 2001
29	100146470	GASKET, FLANGE VENTURI	ALL
30	100060683	GASKET, GAS TRAIN	ALL
31	100060685	GASKET, GAS TRAIN	ALL
32	100060687	GASKET, GAS TRAIN	ALL
33	100171789	VALVE, BALL	FB 751-1251
33	100171912	VALVE, BALL	FB 1501-2001
34	100146458	GASKET, VENTURI	ALL
35	100171878	VALVE, VENTURI	FB 751
35	100072925	VALVE, VENTURI	FB 1001-1251
35	100171780	VALVE, VENTURI	FB 1501-1751
35	100171763	VALVE, VENTURI	FB 2001
PILOT AND BURNER ASSEMBLIES			
36	100073343	FLAME SENSOR W/ GASKET	ALL
37	100146376	GASKET, FLAME SENSOR	ALL
38	100073342	IGNITOR W/GASKET	FB 751-1251
38	100265150	IGNITOR W/GASKET	FB 1501-2001
39	100146375	GASKET, IGNITOR	ALL
40	100072640	BURNER W/GASKET	FB 751
40	100072641	BURNER W/GASKET	FB 1001
40	100073280	BURNER W/GASKET	FB 1251
40	100073281	BURNER W/GASKET	FB 1501
40	100073282	BURNER W/GASKET	FB 1751
40	100073283	BURNER W/GASKET	FB 2001
41	100188935	GASKET, BURNER	ALL
42	100073768	GAS/AIR MANIFOLD W/ GASKET	FB 751-1251
42	100073794	GAS/AIR MANIFOLD W/ GASKET	FB 1501-2001
43	100190526	MANIFOLD COVER	ALL
44	100060121	GASKET, MANIFOLD COVER	ALL
45	100075411	DOOR, HEAT EXCHANGER ASSEMBLY	FB 751
45	100075413	DOOR, HEAT EXCHANGER ASSEMBLY	FB 1001
45	100076515	DOOR, HEAT EXCHANGER ASSEMBLY	FB 1251
45	100267481	DOOR, HEAT EXCHANGER ASSEMBLY	FB 1501
45	100267482	DOOR, HEAT EXCHANGER ASSEMBLY	FB 1751
45	100267483	DOOR, HEAT EXCHANGER ASSEMBLY	FB 2001
46	100161834	AIR METERING VALVE	FB 751
46	100161835	AIR METERING VALVE	FB 1001
46	100161837	AIR METERING VALVE	FB 1251
46	100161836	AIR METERING VALVE	FB 1501-1751
46	100161838	AIR METERING VALVE	FB 2001
PLEASE HAVE MODEL AND SERIAL NUMBER WHEN ORDERING PARTS			

ITEM NO.	PART NO.	DESCRIPTION	MODEL
MISCELLANEOUS			
47	100163214	SIGHT GLASS KIT	ALL
48	100188893	FIBERBOARD, BURNER	FB 751
48	100188894	FIBERBOARD, BURNER	FB 1001
48	100188895	FIBERBOARD, BURNER	FB 1251
48	100188896	FIBERBOARD, BURNER	FB 1501
48	100188897	FIBERBOARD, BURNER	FB 1751
48	100188898	FIBERBOARD, BURNER	FB 2001
49	100188907	INSULATION, HEX WRAP	FB 751
49	100188908	INSULATION, HEX WRAP	FB 1001
49	100188909	INSULATION, HEX WRAP	FB 1251
49	100188910	INSULATION, HEX WRAP	FB 1501
49	100188911	INSULATION, HEX WRAP	FB 1751
49	100188912	INSULATION, HEX WRAP	FB 2001
50	100146377	GASKET SIGHT GLASS TOP	ALL
51	100153531	AIR INLET COVER	ALL
52	100163269	DISPLAY MOUNTING PLATE	ALL
53	100266649	HOLDER, LCD	ALL
54	100162582	TOP BEZEL	ALL
55	100162579	DISPLAY BEZEL	ALL
56	100167409	RELIEF VALVE 50 PSI	ALL
57	100146978	GAUGE, TEMPERATURE & PRESSURE	ALL
58	100170554	FLUE TEMP SENSOR	ALL
59	100173733	VALVE, DRAIN	ALL
60	100162617	CONDENSATE TRAP	ALL
61	100188929	KIT, GASKET SET (SIGHT GLASS / AIR MANIFOLD/HEX PLATE)	FB 751
61	100188930	KIT, GASKET SET (SIGHT GLASS / AIR MANIFOLD/HEX PLATE)	FB 1001
61	100188931	KIT, GASKET SET (SIGHT GLASS / AIR MANIFOLD/HEX PLATE)	FB 1251
61	100188932	KIT, GASKET SET (SIGHT GLASS / AIR MANIFOLD/HEX PLATE)	FB 1501
61	100188933	KIT, GASKET SET (SIGHT GLASS / AIR MANIFOLD/HEX PLATE)	FB 1751
61	100188934	KIT, GASKET SET (SIGHT GLASS / AIR MANIFOLD/HEX PLATE)	FB 2001
62	100188913	FILTER, AIR	FB 751-1251
62	100188914	FILTER, AIR	FB 1501-2001
63	100172888	CABLE, USB	ALL
-	100146379	GASKET, AIR INLET COVER	ALL
-	100153196	INLET ADAPTER (SQUARE TO ROUND)	ALL
-	100172865	RIBBON CABLE	ALL
-	100172918	HARNESS, ELECTRODE, SPARK	ALL
-	100172854	HARNESS, ELECTRODE, FLAME SENSOR	ALL
-	100146009	FUSE, 1.25 AMP	ALL
-	100146012	FUSE, 3.15 AMP	ALL
-	100146013	FUSE, 5 AMP	ALL
-	100170604	OUTDOOR AIR SENSOR	ALL
-	100157652	NEUTRALIZER KIT	ALL
-	100162635	HOSE, CONDENSATE 3/8"	ALL
-	100162636	HOSE, CONDENSATE 1"	ALL
-	100163038	TUBING, SILICONE 1/8"	ALL
-	100163160	TUBING, ALUMINUM 1/4"	ALL
-	100162552	DOOR CATCH	ALL
-	100162929	DOOR STRIKE	ALL
-	100072546	ANTENNA, USB ADAPTER, WIRELESS (BEGINNING SERIAL #4015)	ALL
-	100266650	CABLE, USB, 2.0, 12" (BEGINNING SERIAL #4015)	ALL
-	100266666	CABLE, USB, 2.0, 60" (BEGINNING SERIAL #4015)	ALL
-	100072933	CABLE, CAT 5 (BEGINNING SERIAL #4015)	ALL
-	100267270	KIT, RE-SPARK RETROFIT (PRIOR TO SERIAL #4015)	FB 751-1251
-	100267301	KIT, RE-SPARK RETROFIT (PRIOR TO SERIAL #4015)	FB 1501-2001
JACKET ASSEMBLIES			
64	100161436	JACKET, OUTER TOP	FB 751
64	100161428	JACKET, OUTER TOP	FB 1001
64	100161437	JACKET, OUTER TOP	FB 1251
64	100161429	JACKET, OUTER TOP	FB 1501
64	100161438	JACKET, OUTER TOP	FB 1751
64	100161430	JACKET, OUTER TOP	FB 2001
65	100161426	JACKET, OUTER FRONT LOWER DOOR	ALL
66	100161435	JACKET, OUTER FRONT UPPER DOOR	ALL
67	100161439	JACKET, OUTER LEFT & RIGHT SIDE	FB 751-1251
67	100267484	JACKET, OUTER LEFT & RIGHT SIDE	FB 1501-2001
68	100161427	CONTROL PANEL COVER	ALL
PLEASE HAVE MODEL AND SERIAL NUMBER WHEN ORDERING PARTS			