

# Model B Data Sheet



**Operating Temperatures:** 135F,165F, 212F, 286F,350F, 375F\*

**Underwriters Laboratory Listed:** Yes

## Loading

**Minimum:** 1 lbs

**Maximum:** 10 lbs

## Size:

**Length:** 1.500 Inches

**Width:** .562 Inches

**Distance Between Centers:** .930 Inches

## Material:

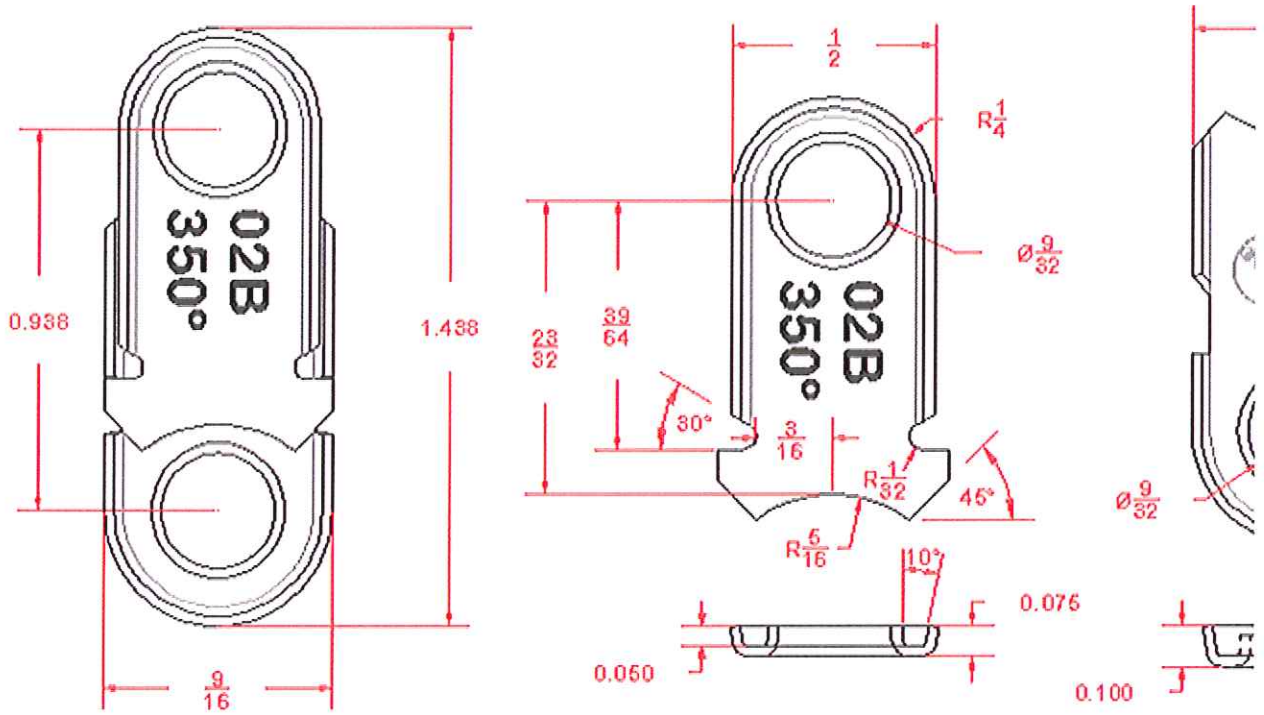
**Stamping:** Steel

**Solder:** Bismuth Alloy

**Unit Weight:** .016 lbs

**Available with Long or Short Hooks** Yes

\*Many other Temperatures Available (non-UL listed)



• Click on printer icon to print

**Material Thickness 0.025**