

Data Sheet

Pressure switches and thermostats
Type **KP**

For steam, air, gaseous and liquid media

**KP Pressure Switches**

Danfoss KP switches are used for regulating, monitoring and alarm systems in the industry. They provide automatic limit protection or manual reset limit protection for pressure systems. Can be used with steam, air, gaseous and liquid media.

The pressure switches are fitted with single-pole changeover switch (SPDT). The position of the switch depends on the setting of the pressure switch and the pressure in the connector.

KP Thermostats

KP thermostats are temperature-operated electric circuit breakers. The thermostats are fitted with single-pole changeover switch (SPDT)

The position of the switch depends on the thermostat setting and sensor temperature. A KP thermostat can be connected and switch to single-phase alternating current motors of up to 2 kW.

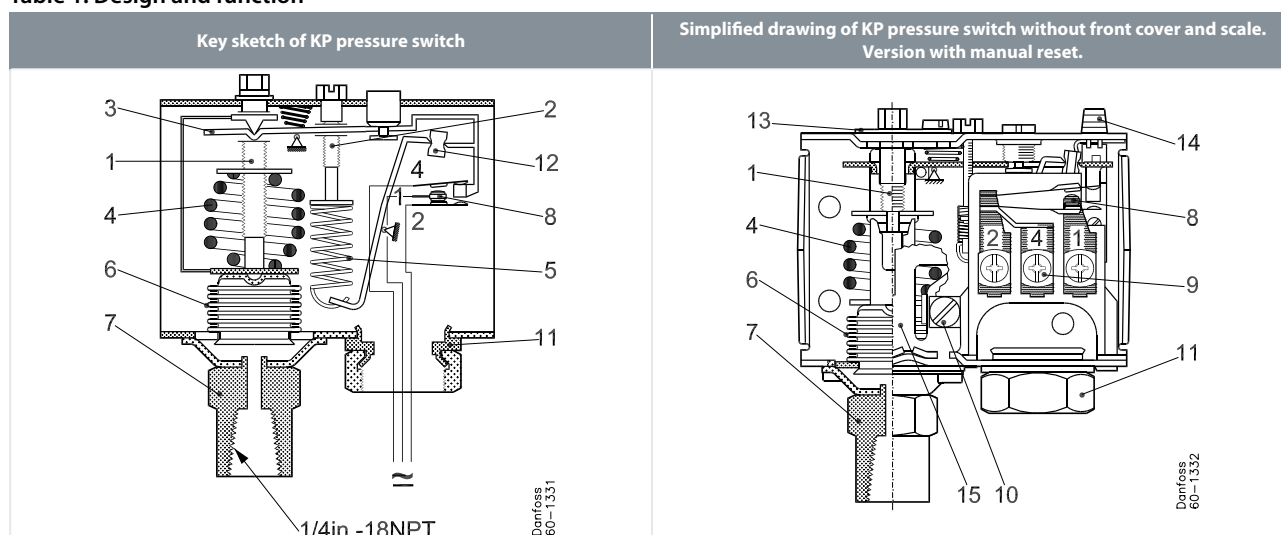
Features

- Wide regulating range
- Small dimensions
 - Space-saving, easy to install in panels
- Shock and impact resistant
- Ultra-short bounce time. Limits wear to an absolute minimum and increases reliability
- Snap action electrical contacts minimize chatter, bounce, and wear, and ensure long term electrical and mechanical reliability
- Electrical connection from front of the unit. Makes rack mounting easier and also saves space
- Suitable for alternating current and direct current
- Screwed wiring, makes rewiring easy
- Manual trip allows electrical function test without tools
- Versions with automatic and manual reset available

Functions

Pressure switches

Table 1: Design and function



1 Range setting spindle	6 Bellows	11 Cable entry: ½ in female NPSM
2 Differential setting spindle	7 Pressure connector	12 Tumbler
3 Main arm	8 Contact system	13 Locking screw
4 Main spring	9 Switch terminals	14 Manual reset
5 Differential spring	10 Ground terminal	15 Distance plate

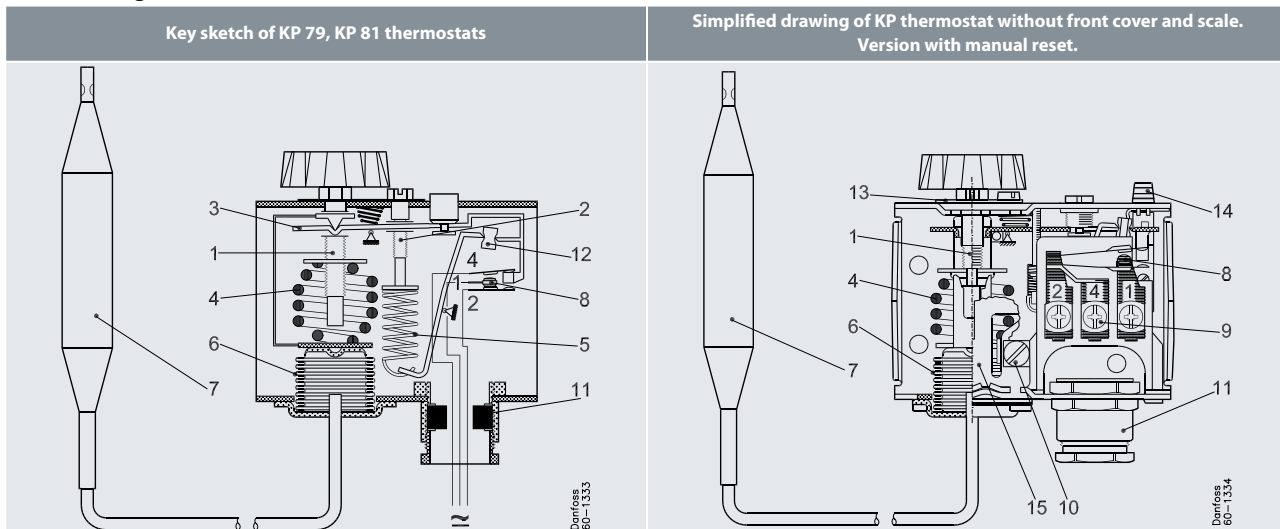
The contact system of KP switches has a snap-action function and the bellows moves only when cut-in or cut-out set point is reached.

The design has the following advantages:

- higher contact load
- ultra short bounce time
- long mechanical and electrical lifetime
- high resistance to vibrations and pulsations

Thermostats

Table 2: Design and function



1	Range setting spindle	7	Temperature sensors	12	Tumbler
2	Differential setting spindle	8	Contact system	13	Locking screw
3	Main arm	9	Terminals	14	Manual reset
4	Main spring	10	Ground terminal	15	Distance plate
5	Differential spring				
6	Bellows	11	Cable entry: ½ in female cable gland		

The contact system of KP switches has a snap-action function and the bellows moves only when cut-in or cut-out set point is reached.

The design has the following advantages:

- higher contact load
- ultra short bounce time
- long mechanical and electrical lifetime
- high resistance to vibrations and pulsations

Product specification

Technical data

Pressure switches

Table 3: Technical data

Features			Descriptions
Ambient temperature			-40 – 150 °F (175 °F for short period of time)
Media temperature			-40 – 212 °F
Sensor material			Tinned copper Cu/Sn5
Parts in contact with medium:		Bellows:	Stainless steel
		Pressure connection:	Free-cutting steel, nickel plated
Wire dimension			12 AWG max.
Contact system			SPST (close on temp. rise), SPDT Contact material AgCdO
Contact load	Alternating current	FLA	0.5 ~ 16 A/120 V AC 0.5 ~ 8 A/240 V AC
		LRA	96 A/120 V AC 48 A/240 V AC
	Direct current		240 V DC: 12 W pilot duty
Enclosure			NEMA ~1 (when mounted on a flat surface with all unused holes covered)
Cable entry			Integral ½ in female NPSM swivel cable connector, allows direct attachments of ½ in. male pipe thread connector

Thermostats

Table 4: Technical data

Features			Descriptions
Ambient temperature			-40 – 150 °F (175 °F for short period of time)
Sensor material			Tinned copper Cu/Sn5
Wire dimension			12 AWG max.
Contact system			SPDT – single pole double throw
Contact load	Alternating current	FLA	0.5 ~ 16 A/120 V AC 0.5 ~ 8 A/240 V AC
		LRA	96 A/120 V AC 48 A/240 V AC
	Direct current		240 V DC: 12 W pilot duty
Enclosure			NEMA ~1 (when mounted on a flat surface with all unused holes covered)
Cable entry			Integral ½ in female NPSM swivel cable connector, allows direct attachments of ½ in. male pipe thread connector

Contact system and application

Pressure switches

Table 5: Contact system and application

Switch type - single pole double throw	Switch action	Application
	Terminals 1 – 4 close high and open low Terminals 1 – 2 can be used as low pressure alarm	Low pressure cut-out
	Terminals 1 – 2 open high and close low Terminals 1 – 4 can be used as high pressure alarm	High pressure cut-out

Thermostats

Table 6: Contact system and application

Switch type - single pole double throw	Switch action	Application
	Terminals 1 – 4 close high and open low Terminals 1 – 2 can be used as low temperature alarm	Low pressure cut-out
	Terminals 1 – 2 open high and close low Terminals 1 – 4 can be used as high temperature alarm	High pressure cut-out

Setting

Pressure switches

Cut-in and cut-out pressures of the system should always be checked with an accurate pressure gauge.

Pressure setting for switches with automatic reset.

Set the cut-out pressure on RANGE scale and differential on DIFF scale.

NOTE:

Restart pressure is equal to cut-out pressure minus differential value.

Pressure switches with manual reset

Set the cut-out pressure on the RANGE scale. Pressure limiters can be manually reset by pressing reset button when the pressure is equal to the cut-out pressure minus fixed value of the differential.

Thermostats

Thermostats with automatic reset

Set the cut-out temperature on the RANGE scale and differential on the DIFF scale. Restart temperature is equal to the cut-out temperature minus differential value.

NOTE:

The differential scale is only a reference. The exact value of distances on the scale depends on where in its range the switch cut-in is set. Use the differential scale as a guide, and if precise function is required, establish the differential setting by comparing function with an accurate thermometer in the controlled zone.

Thermostats with manual reset

Set the cut-out temperature on the range scale.

The differential is fixed. Restart the system by pressing the reset button after the temperature of the sensor falls to a value equal to the range scale setting minus the fixed differential.

Terminology

Pressure switches

Set point

A predetermined value to which a switch is adjusted and at which it performs its intended function.

Reset:

- Manual reset:** Units with manual reset can only be restored to operational mode by activation of the external reset button.
- Automatic reset:** Units with automatic reset is restored to operational mode automatically.

Maximum working pressure

The maximum permissible pressure for safe functioning of a heating system or any of its part.

Snap function

A specific contact force is maintained until snap is initiated. The time over which contact force reaches zero is a few milliseconds; therefore, contact bounce cannot occur as a result, for example, of slight vibrations before cut-out. The snap-action contact system will continue to function even when micro-welds are created between the contacts during cut-in. The force created to separate the contacts is strong, and instantly shears off all contact surface welds

that have been created as the result of cut-in action. These design features ensure that the cut-out point of the KP switch remains very accurate and completely independent of the magnitude of the current load.

FLA - Motor Full Load Amperes

FLA is the largest current that a motor or other device is designed to carry at rated voltage and other specific conditions. Also often called current at rated conditions.

LRA - Locked Rotor Amperes

LRA is the current in amperes drawn by an electric motor with the shaft or rotor immobilized.

Thermostats

Differential

The differential is the difference between the cut-in and cut-out temperatures.

The differential is necessary for satisfactory automatic operation of the controlled system. Mechanical differential (intrinsic differential). The mechanical differential is the differential set by the differential spindle.

Reset:

1. **Manual reset:** Units with manual reset can only be restarted after activation of the reset button. On max reset units the set value is equal to cut-out value for rising temperature.
2. **Automatic reset:** Units with automatic reset is restored to operational mode automatically.

Snap function

A specific contact force is maintained until snap is initiated. The time over which contact force reaches zero is a few milliseconds; therefore, contact bounce cannot occur as a result, for example, of slight vibrations before cut-out. The snap-action contact system will continue to function even when micro-welds are created between the contacts during cut-in. The force created to separate the contacts is strong, and instantly shears off all contact surface welds that have been created as the result of cut-in action. These design features ensure that the cut-out point of the KP switch remains very accurate and completely independent of the magnitude of the current load.

FLA - Motor Full Load Amperes

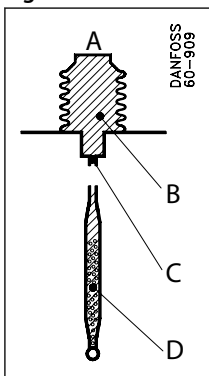
FLA is the largest current that a motor or other device is designed to carry at rated voltage and other specific conditions. Also often called current at rated conditions.

LRA - Locked Rotor Amperes

LRA is the current in amperes drawn by an electric motor with the shaft or rotor immobilized.

Thermostat charge

Figure 1: Thermostat charge



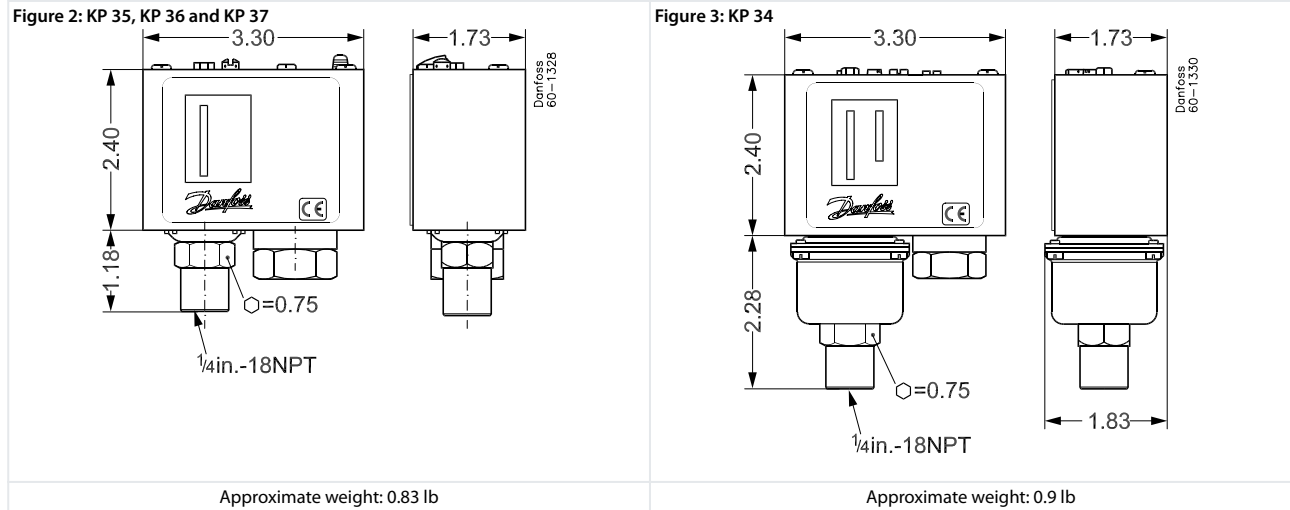
A	Adsorption charge
B	Bellows
C	Capillary tube
D	Sensor

Sensors with adsorption charges contain a superheated gas together with a solid having a large adsorption surface. The sensor can be placed in zones that are warmer or colder than the switch housing and capillary tube, but variations of more than 70 °F may influence scale accuracy.

Dimensions [in]

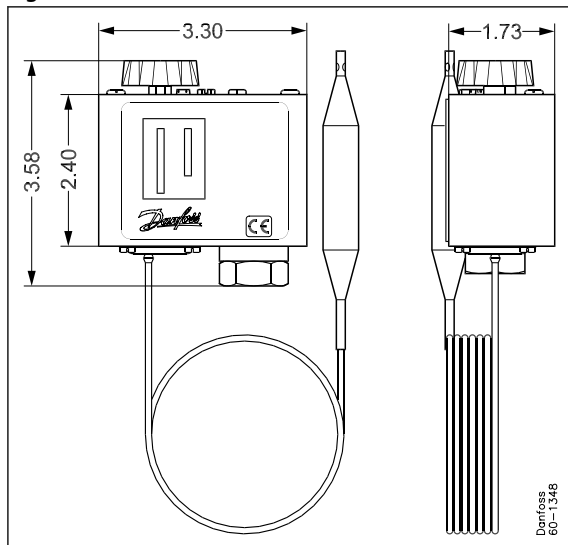
Pressure switches

Table 7: Dimensions



Thermostats

Figure 4: KP 79, KP 81



Ordering

Pressure switches

Table 8: Ordering

Type	Range [psig]	Differential [psi]	Reset	Pressure connection	Max. operating pressure [psig]	Min. burst pressure [psig]	Code nos
KP 34	2 – 15	2 – 6	Automatic	¼" 18 NPT	58	435	060-214991
KP 34	2 – 15	3 fixed	Manual	¼" 18 NPT	58	435	060-214891
KP 35	6 – 50	6 – 32	Automatic	¼" 18 NPT	145	1015	060-215191
KP 35	6 – 50	7 fixed	Manual	¼" 18 NPT	145	900	060-215091
KP 36	15 – 150	10 – 58	Automatic	¼" 18 NPT	245	1015	060-214491
KP 36	15 – 150	10 fixed	Manual	¼" 18 NPT	245	1015	060-214591
KP 37	58 – 300	26 – 45	Automatic	¼" 18 NPT	405	1450	060-214691
KP 37	58 – 300	43 fixed	Manual	¼" 18 NPT	405	1450	060-214791

Thermostats

Table 9: Ordering

Type	Setting Range [°F]	Differential [°F]	Reset function	Capillary tube length [in]	Max. sensor temperature [°F]	Code nos
KP 79	122 – 210	9 – 27	Automatic	80	300	060L223866
KP 79	122 – 210	10 fixed	Manual	80	300	060L223966
KP 81	176 – 240	9 – 45	Automatic	80	480	060L224066
KP 81	176 – 240	16 fixed	Manual	80	480	060L224166

Table 10: Accessories

Part	Symbol	Description	Code no.
Brackets with mounting screws and washers for pressure switches and thermostats		Angle bracket 4 screws 10–32 UNC + 4 washers	060-105366
Top cover for pressure switches and thermostats		When the bracket is mounted on the back plate of the housing, the grade of enclosure of the KP switch is IP44. Top cover covers the setting spindles.	060-109766

Certificates, declarations, and approvals

The list contains all certificates, declarations, and approvals for this product type. Individual code number may have some or all of these approvals, and certain local approvals may not appear on the list.

Some approvals may change over time. You can check the most current status at danfoss.com or contact your local Danfoss representative if you have any questions.

Table 11: Certificates, declarations, and approvals

Document type	Approvals Authority
Electrical - Safety Certificate	CCC
Manufacturer Declaration	EAC
EU Declaration	CE/ LVD
Food and Health - Performance Certificate	PZH
Marine safety certificate	RINA
Marine Approval	RMRS
Manufacturer Declaration	RoHS China
Electrical - Safety Certificate	FM
Electrical - Safety Certificate	UL

Online support

Danfoss offers a wide range of support along with our products, including digital product information, software, mobile apps, and expert guidance. See the possibilities below.

The Danfoss Product Store



The Danfoss Product Store is your one-stop shop for everything product related—no matter where you are in the world or what area of the cooling industry you work in. Get quick access to essential information like product specs, code numbers, technical documentation, certifications, accessories, and more.

Start browsing at store.danfoss.com.

Find technical documentation



Find the technical documentation you need to get your project up and running. Get direct access to our official collection of data sheets, certificates and declarations, manuals and guides, 3D models and drawings, case stories, brochures, and much more.

Start searching now at www.danfoss.com/en/service-and-support/documentation.

Danfoss Learning



Danfoss Learning is a free online learning platform. It features courses and materials specifically designed to help engineers, installers, service technicians, and wholesalers better understand the products, applications, industry topics, and trends that will help you do your job better.

Create your Danfoss Learning account for free at www.danfoss.com/en/service-and-support/learning.

Get local information and support



Local Danfoss websites are the main sources for help and information about our company and products. Find product availability, get the latest regional news, or connect with a nearby expert—all in your own language.

Find your local Danfoss website here: www.danfoss.com/en/choose-region.