

ONLINE PRODUCT INFORMATION

- [OP1 HOME PAGE](#)
- [COMPRESSORS](#)
- [CONDENSING UNITS](#)
- [VISIT OTHER EMERSON CLIMATE TECHNOLOGIES BRANDS](#)
- [CROSS REFERENCE](#)
- [SOFTWARE DOWNLOADS](#)
- [PUBLICATION & BULLETIN SEARCH](#)
- [WHERE TO BUY](#)
- [BROWSE INFORMATION](#)

[Save to PDF](#) [Print](#)

ZRT108K3E-TF5 Tandem



**HCFC, R-22, 60 Hz, 3 - Phase, 200/230 V
Air Conditioning**

Production Status : Available for sale to all U.S. customers. Please check with your local Emerson Climate Technologies representative for international availability.

Performance

Evaporator Temp. (°F)	45	45
Condensing Temp. (°F)	130	100
Return Gas Temp. (°F)	65	65
Liquid Temp. (°F)	115	85
Capacity (Btu/hr):	108000	127000
Power (W):	9500	6600
Current (Amps):	27.8	21.2
EER (Btu/Wh):	11.3	19.3
Mass Flow (lbs/hr):	1580	1640
<u>Sound Data @</u>		
Sound Power (dBA):	74 Avg	79 Max
Vibration mils(peak-peak):	2.0 Avg	3.0 Max
Record Date:	2014-03-06	

Mechanical

Displacment (in ³ /Rev):	8.94
Displacment (ft ³ /hr):	1085.97
Overall Length (in):	24.65
Overall Width (in):	11.69
Overall Height (in):	18.80
Mounting Length (in):	21.50
Mounting Width (in):	7.50
Mounting Height (in):	19.13 *
Suction Size (in),Type:	1 1/8 Stub
Discharge Size (in),Type:	3/4 Stub
Initial Oil Charge (oz):	114
Oil Recharge (oz):	106
Net Weight (lbs):	200.0
Internal Free Volume (in ³):	
Horse Power:	
*Overall compressor height on Copeland Brand Product's specified mounting grommets.	

Electrical

LRA High* (Amp):	
LRA Low*(Amp):	
LRA Half Winding (Amp):	
MCC (Amps):	0.0
Max Operating Current (Amp):	
RLA, MCC/1.4;use for contactor selection)(Amp):	
RLA, MCC/1.56;use for breaker & wire size selection)(Amp):	
RPM:	3500
UL File No:	SA-2337
UL File Date:	1993-07-26
*Low and High refer to the low and high nominal voltage ranges for which the motor is approved.	

Capacitors

Type	Part No	Low MFD	High MFD	Volts	User Description

[PRIVACY POLICY](#) [TERMS OF USE](#)

© 2018 Emerson Electric Co. All rights reserved

CONSIDER IT SOLVED.

Rating Conditions

20 °F Superheat
 15 F Subcooling
 95 °F Ambient Air Over

60 Hz Operation

**AIR
 CONDITIONING**

ZRT108K3E-TF5

HCFC-22
 COPELAND SCROLL®
 TF5 200/230-3-60

Condensing Temperature °F
(Sat. Dew Pt. Pressure, psig) **Evaporating Temperature °F (Sat. Dew Pt. Pressure, psig)**

		-10.0(17)	0.0(24)	10.0(33)	20.0(43)	30.0(55)	40.0(69)	45.0(76)	50.0(84)	55.0(93)
150.0 (382)	C						84,500	94,000	104,000	115,000
	P						12,100	12,000	12,000	12,000
	A						33.8	33.7	33.6	33.5
	M						1,393	1,535	1,686	1,847
	E						7.0	7.8	8.7	9.6
140.0 (337)	%						61.1	63.5	65.7	67.7
	C					73,000	91,000	101,000	112,000	123,000
	P					10,800	10,800	10,700	10,700	10,600
	A					30.8	30.7	30.6	30.5	30.4
	M					1,158	1,418	1,560	1,712	1,873
130.0 (297)	E					6.8	8.5	9.4	10.4	11.6
	%					59.1	64.2	66.4	68.3	69.9
	C				62,500	78,500	97,500	108,000	119,000	131,000
	P				9,600	9,600	9,550	9,500	9,450	9,450
	A				28.1	28.0	27.9	27.8	27.7	27.6
120.0 (260)	M				952	1,182	1,442	1,585	1,736	1,897
	E				6.5	8.2	10.2	11.3	12.5	13.9
	%				56.7	62.4	67.0	68.8	70.3	71.3
	C			52,500	67,000	84,000	104,000	114,000	126,000	138,000
	P			8,550	8,550	8,500	8,450	8,400	8,400	8,350
110.0 (226)	A				25.6	25.6	25.5	25.4	25.3	25.1
	M				773	975	1,204	1,464	1,607	1,758
	E				6.1	7.9	9.9	12.3	13.6	15.0
	%				54.0	60.2	65.4	69.2	70.4	71.2
	C		43,100	56,500	71,500	89,500	110,000	121,000	133,000	146,000
100.0 (196)	P		7,550	7,550	7,550	7,500	7,450	7,450	7,400	7,400
	A		23.3	23.4	23.3	23.3	23.1	23.1	23.0	22.9
	M		618	795	996	1,224	1,484	1,626	1,777	1,938
	E		5.7	7.4	9.5	11.9	14.7	16.3	17.9	19.8
	%		50.7	57.7	63.4	67.7	70.2	70.7	70.7	69.9
90.0 (168)	C	34,800	46,600	60,000	76,000	94,500	115,000	127,000	140,000	153,000
	P	6,650	6,700	6,700	6,650	6,650	6,600	6,600	6,550	6,550
	A	21.4	21.4	21.4	21.4	21.3	21.2	21.2	21.1	21.1
	M	485	639	814	1,014	1,241	1,499	1,641	1,792	1,953
	E	5.2	7.0	9.0	11.4	14.2	17.5	19.3	21.3	23.4
80.0 (144)	%	47.1	54.7	61.0	65.8	68.8	69.7	69.2	67.9	65.9
	C	37,900	49,900	64,000	80,000	99,000	121,000	133,000	146,000	160,000
	P	5,850	5,900	5,900	5,850	5,850	5,850	5,850	5,850	5,850
	A	19.7	19.7	19.7	19.7	19.7	19.6	19.6	19.6	19.6
	M	507	658	830	1,028	1,253	1,511	1,652	1,803	1,963
80.0 (144)	E	6.5	8.5	10.9	13.7	16.9	20.7	22.8	25.0	27.4
	%	51.4	58.2	63.5	67.0	68.3	66.9	65.1	62.3	58.6
	C	40,900	53,000	67,500	84,000	103,000	126,000	138,000	152,000	166,000
	P	5,150	5,150	5,200	5,200	5,200	5,200	5,200	5,200	5,250
	A	18.3	18.3	18.4	18.4	18.4	18.4	18.4	18.4	18.5
80.0 (144)	M	525	673	843	1,038	1,262	1,517	1,658	1,808	1,968
	E	7.9	10.3	13.0	16.2	20.0	24.3	26.6	29.1	31.7
	%	55.2	60.9	64.8	66.5	65.5	61.2	57.7	53.0	47.3

C: Capacity (Btu/hr), P: Power (W), A: Current (Amps), M: Mass Flow (lb/hr), E: EER (Btu/Wh), %: Isentropic Efficiency (%)

Nominal Performance Values (±5%) based on 72 hours run-in. Subject to change without notice. Current @ 230 V

ZRT108K3E-TF5

HCFC, R-22, 60Hz, 3- Phase, 200/230 V
Air Conditioning



Production Status: Available for sale to all U.S. customers. Please check with your local Emerson Climate Technologies Representative for international availability.

Service Parts

<u>Reference</u>	<u>Component</u>	<u>Quantity</u>	<u>Description</u>	<u>Comment</u>
2	527-0150-00	1	SPACER-MOUNTING ASSM	
2	527-0212-00	2	SPACER-MOUNTING KIT	
1	918-0043-00	2	HEATER-CRANKCASE	240V 70W WRAP AROUND
1	918-0043-01	2	HEATER-CRANKCASE	480V 70W WRAP AROUND
15	ZRT108K3E-TF5-950	1	WELD COMP	

ZRT108K3E-TF5

HCFC, R-22, 60Hz, 3- Phase, 200/230 V
Air Conditioning



Production Status: Available for sale to all U.S. customers. Please check with your local Emerson Climate Technologies Representative for international availability.

Accessories

Category	PartNumber	Description
Crankcase Heaters	018-0095-00	Crankcase Heater, 240V, 70W, 21" Lead Length
	018-0095-01	Crankcase Heater, 480V, 70W, 21" Lead Length
	018-0095-02	Crankcase Heater, 575V, 70W, 21" Lead Length
	018-0095-03	Crankcase Heater, 240V, 70W, 32" Lead Length
	018-0095-04	Crankcase Heater, 240V, 70W, 48" Lead Length
	018-0095-05	Crankcase Heater, 480V, 70W, 48" Lead Length
	018-0095-06	Crankcase Heater, 575V, 70W, 48" Lead Length
	018-0095-07	Crankcase Heater, 120V, 70W, 48" Lead Length
	018-0095-08	Crankcase Heater, 400V, 70W, 48" Lead Length
	018-0095-09	Crankcase Heater, 277V, 70W, 21" Lead Length



ONLINE PRODUCT INFORMATION

[| OPI HOME PAGE](#)

[COMPRESSORS](#)

[CONDENSING
UNITS](#)

[VISIT OTHER EMERSON
CLIMATE TECHNOLOGIES
BRANDS](#)

[| CROSS
REFERENCE](#)

[SOFTWARE
DOWNLOADS](#)

[PUBLICATION &
BULLETIN
SEARCH](#)

[WHERE TO BUY](#)

[BROWSE
INFORMATION](#)

ZRT108K3E-TF5

HCFC, R-22, Mid Point, 60 Hz, 3Ø, 200/230V.

Air Conditioning

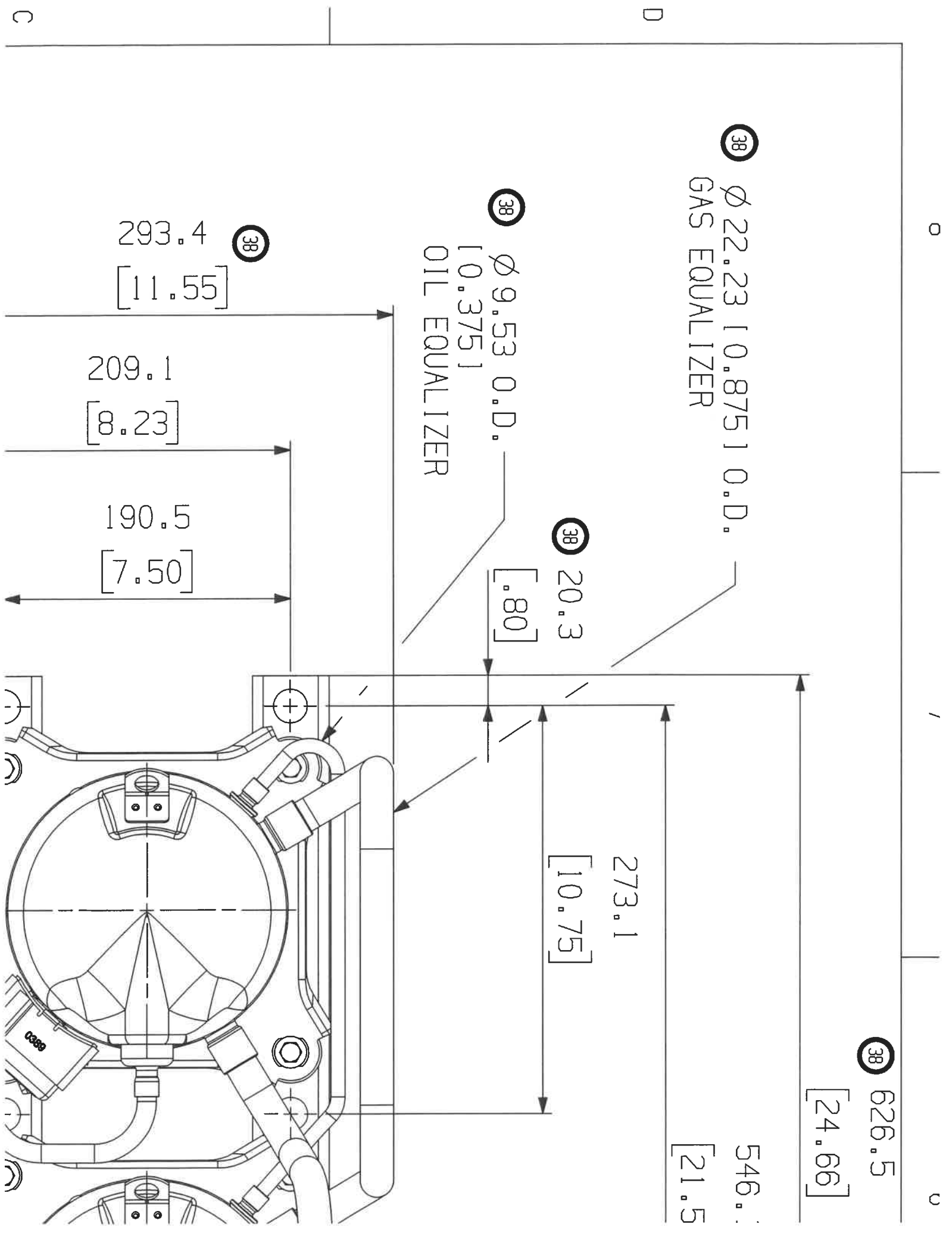
Production Status: Available for sale to all U.S. customers. Please check with your local Emerson Climate Technologies representative for international availability.



Nomenclature

[CLICK TO VIEW
NOMENCLATURE PDF](#)

Family Series	Z	Scroll
Application Range	R	A/C - R-22/407C/134a
Modulation	T	Even Tandem
Capacity	108K	Capacity Multiplier-1000
Oil Type	E	Polyol Ester
Motor Type	T	3 Phase
Motor Protection	F	Internal Inherent Protection
Voltage	5	60Hz (200/230-3) 50Hz (200/220-3)



38 \varnothing 22.23 [0.875] O.D.
GAS EQUALIZER

38 \varnothing 9.53 O.D.
[0.375]
OIL EQUALIZER

38 20.3
[.80]

38 626.5
[24.66]

546.1
[21.5]

273.1
[10.75]

293.4
[11.55]

209.1
[8.23]

190.5
[7.50]

