

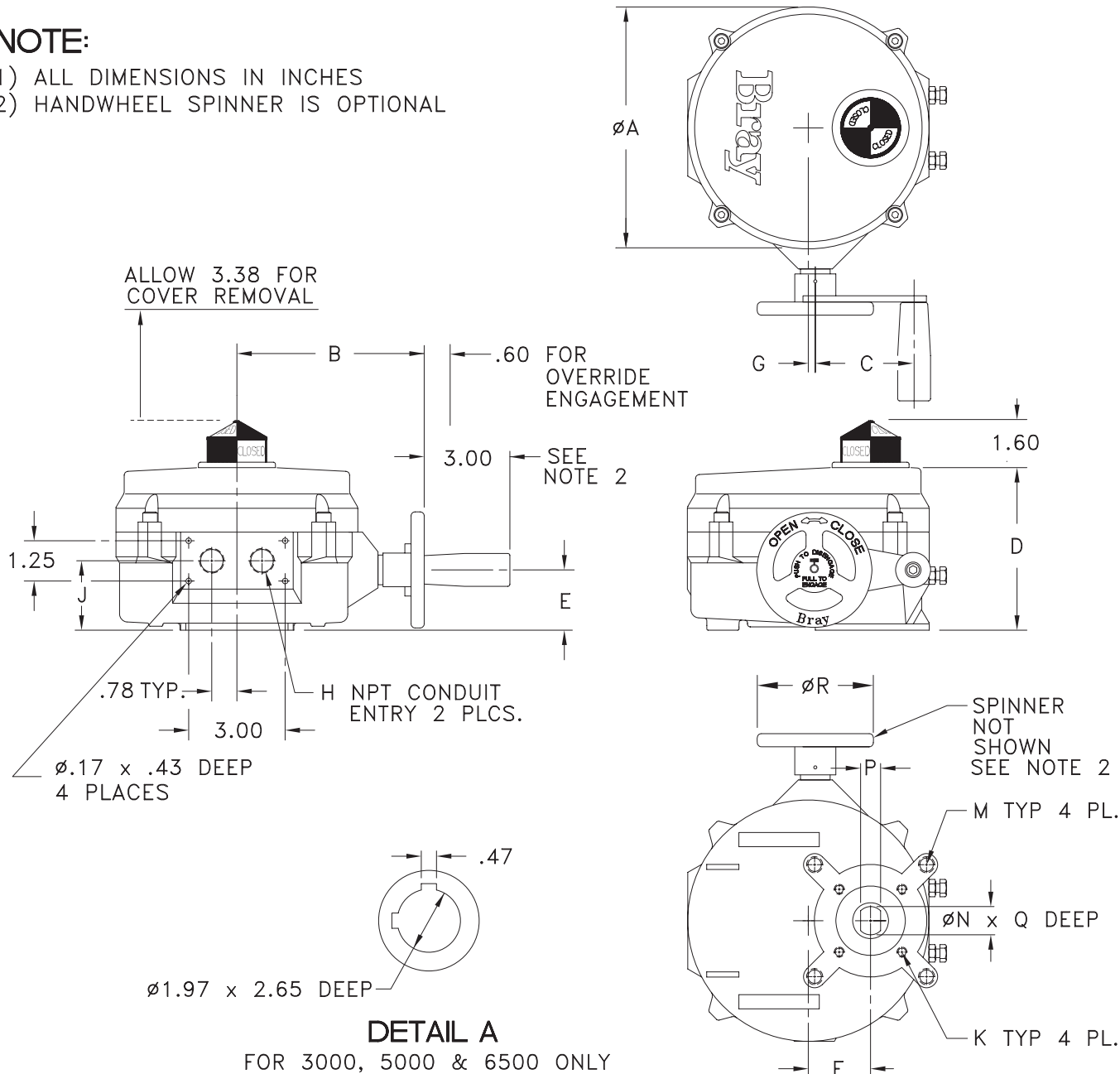
ATTENTION

THIS DOCUMENT IS VALID IF AND ONLY IF YOU PERSONALLY DOWNLOADED IF FROM WWW.BRAY.COM
IF YOU RECEIVED THIS DOCUMENT FROM ANY OTHER SOURCE, PLEASE TAKE INTO CONSIDERATION THAT ALTERATIONS
COULD HAVE BEEN MADE, FOR AN ORIGINAL COPY, PLEASE CONTACT BRAY VALVE AT 281-894-5454

Actuator	Torque (in-lbs)	A	B	C	D	E	F	G	H	J	K (UNC) x B.C.	M (UNC) x B.C.	N	P	Q	R	Weight (lbs) [kg]
70-003	300	7.5	5.8	3.0	5.1	1.9	1.94	.19	1/2	2.0	5/16-18 x ϕ 2.76	-	.75	.51	1.75	3.5	13 [5.9]
70-005	500																
70-008	800																
70-012	1200	10.1	7.8	3.7	6.5	2.5	2.69	.56	3/4	2.6	5/16-18 x ϕ 2.76	1/2-13 x ϕ 4.92	1.18	.87	2.22	8.0	28 [13]
70-020	2000																
70-030	3000																
70-050	5000	12.1	9.5	5.6	7.2	2.9	3.19	.56	3/4	3.1	1/2-13 x ϕ 4.92	3/4-10 x ϕ 6.50	SEE DET. A			12.0	48 [22]
70-065	6500																

NOTE:

- 1) ALL DIMENSIONS IN INCHES
- 2) HANDWHEEL SPINNER IS OPTIONAL



DETAIL A
FOR 3000, 5000 & 6500 ONLY

Customer/Project _____
 Inq./P.O. No. _____
 Bray Order No. _____
 Certified Correct By _____ Date _____

SERIES 70
 ELECTRIC ACTUATOR
 SIZES 300 THRU 6500
 WITH DECLUTCHABLE MANUAL OVERRIDE



SHEET	REV.
1 OF 1	16
DRAWING NO.	
ES11A-0226	