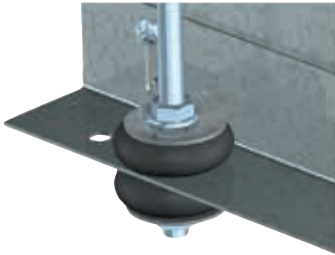


Assembly Instructions

Please read these instructions carefully before attempting to assemble, install, operate or maintain the product described. Protect yourself and others by observing all safety information. Failure to comply with instructions could result in personal injury and/or property damage!



Assembly

1. Upon receiving kit, check for any damage and report it immediately to the shipper. Also, check to see that all parts are accounted for. (See reverse side for parts list).
2. Determine desired location of mounting bracket on SP/CSP fan; 9/64 inch diameter holes are factory prepunched for attaching mounting brackets. If different locations are desired, drilling will be required. (See CAUTION).
3. Insert neoprene grommets into large holes in mounting brackets. Thread one nut into each 1/4-20 threaded support rod (supplied by others) followed by one flat washer and a shaft sleeve. Insert end of support rod and sleeve into grommet. Install another flat washer and nut on end of support rod, refer to Figure 1.

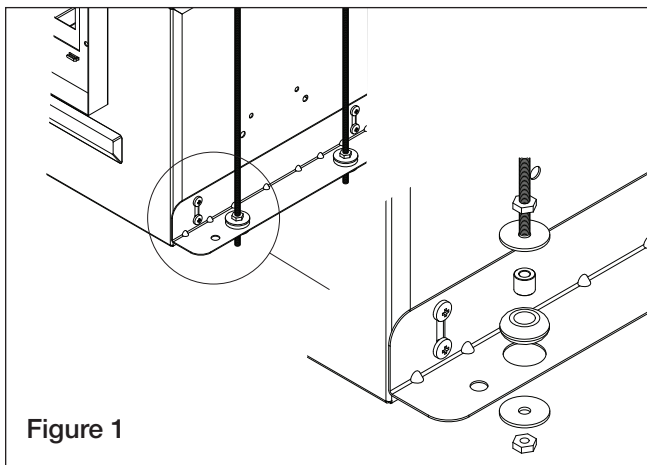
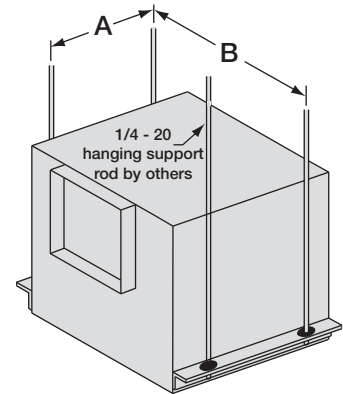


Figure 1

4. Install hanging support rods using the following vibration isolator centerline dimensions shown in table below.



Isolator Centerline Dimensions		
Unit Size	A	B
B50-B200	4½ (114)	15⅝ (397)
A50-A190	5½ (140)	15 (381)
A200-A390	6¾ (171)	15¾ (400)
A410, A510, A710, A780	9¼ (235)	19¾ (502)
A700	5½ (140)	25⅝ (645)
A900-A1050, A1410-A1550	9¼ (235)	25½ (648)
A1750, A2150	9¼ (235)	36¾ (933)
A3600	9¼ (235)	47¼ (1200)

All dimensions shown in inches (millimeters).

Maintenance

All fasteners should be checked for tightness each time maintenance checks are performed prior to restarting unit. A proper maintenance program will help these units deliver years of dependable service.

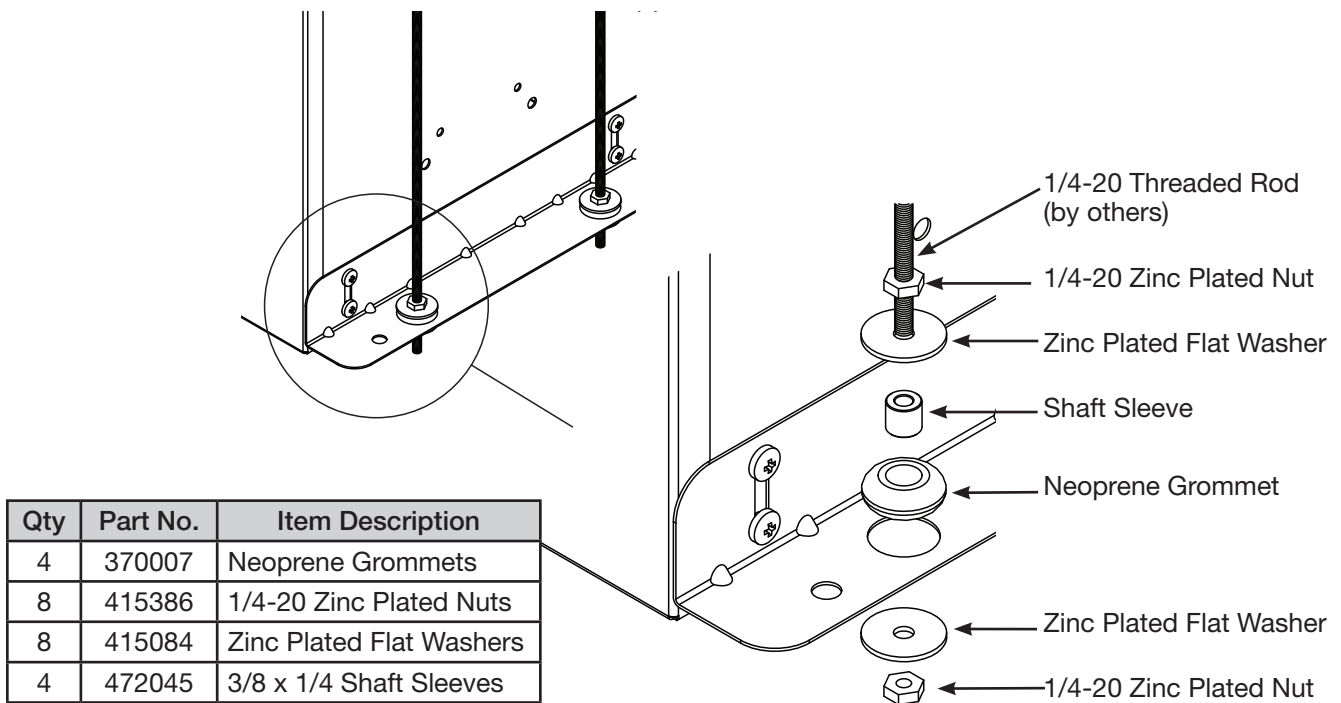
DANGER

Always disconnect, lock and tag power source before installing or servicing. Failure to disconnect power source can result in fire, shock or serious injury.

CAUTION

When drilling be certain not to penetrate motor or electrical components.

Hanging Vibration Isolator Parts List



Our Commitment

As a result of our commitment to continuous improvement, Greenheck reserves the right to change specifications without notice.

Specific Greenheck product warranties are located on greenheck.com within the product area tabs and in the Library under Warranties.

Greenheck's Centrifugal Ceiling and Cabinet Exhaust Fans catalog provides additional information describing the equipment, fan performance, available accessories, and specification data.

AMCA Publication 410-96, Safety Practices for Users and Installers of Industrial and Commercial Fans, provides additional safety information. This publication can be obtained from AMCA International, Inc. at www.amca.org.



Phone: 715.359.6171 • Fax: 715.355.2399 • Parts: 800.355.5354 • E-mail: gfcinfo@greenheck.com • Website: www.greenheck.com