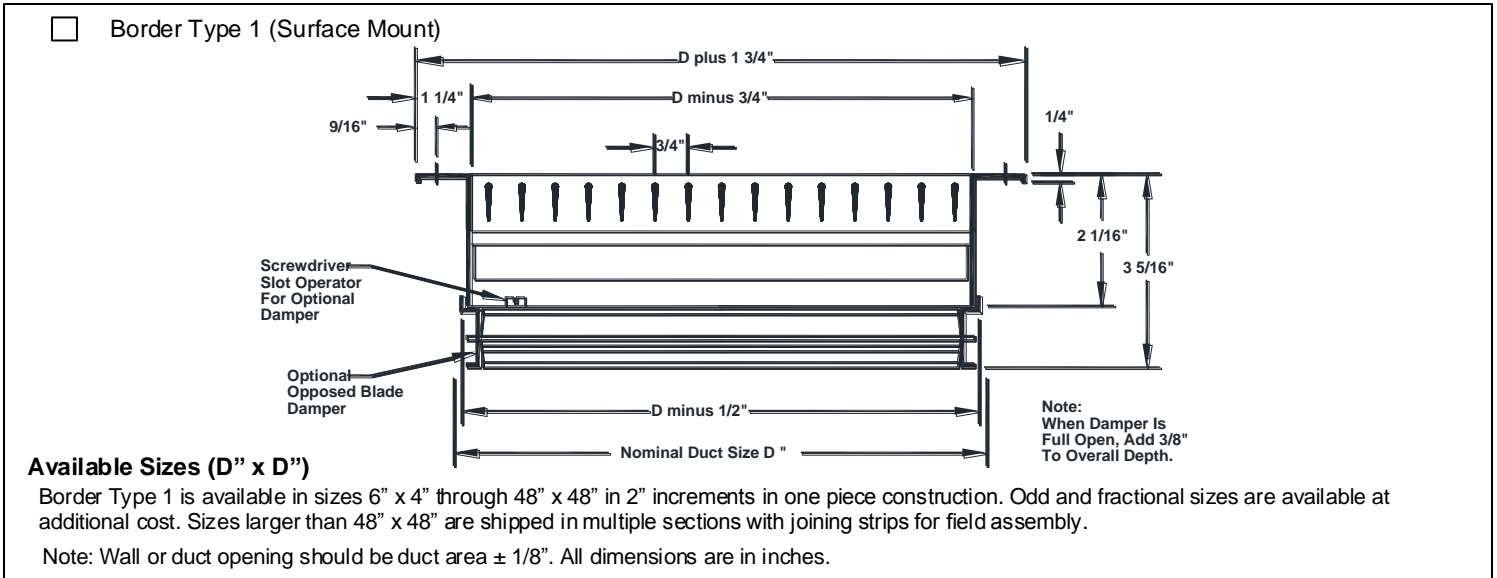
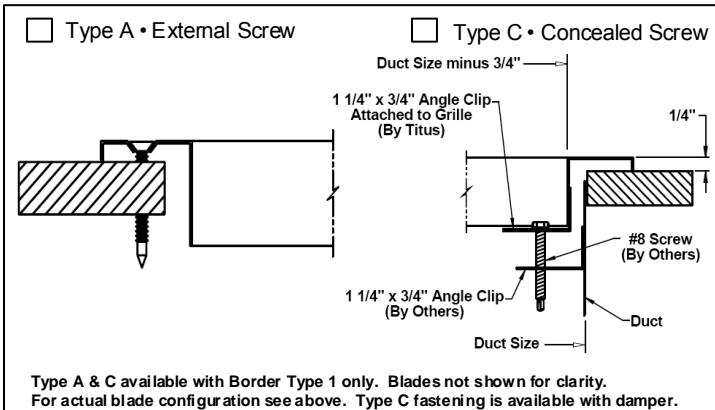


Louvered Supply Grilles • Steel

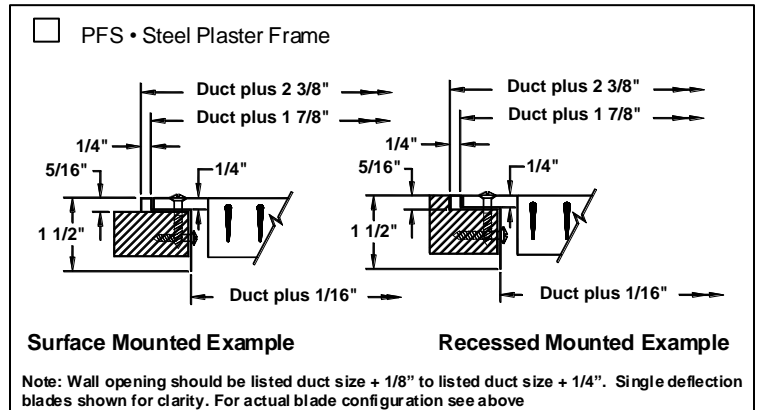
Models: 300RL • Double Deflection • Long Front Blades • 3/4" Blade Spacing
300RS • Double Deflection • Short Front Blades • 3/4" Blade Spacing



Fastenings



Mounting Frames



Accessories (Optional) Check if provided.

- Neck mounted opposed blade damper (galvanized steel)
- EQT • Earthquake Tabs
- IS • Insect Screen (1/16" square mesh – galvanized steel)
- DS • Debris Screen (1/4" square mesh – galvanized steel)
- FG • Foam Gasket
- Other: _____

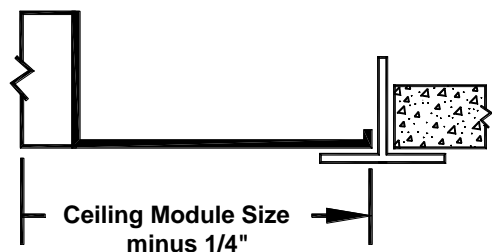
Standard Finish: #26 White

- Other Finish: _____

General Description

- Available with front louvers vertical or horizontal
- Optional opposed blade damper has screwdriver adjustment accessible through face of grille
- Front and rear louvers are individually adjustable

Border Type 3 (Lay-in) Panel Mounted



Available in all standard module sizes with neck sizes up to module size minus 2".

- Insect and debris screens are not available with damper option
- Material is steel
- #8 x 1 1/4" lg. Phillip's flat head sheet metal screws (painted)
- All dimensions are $\pm 1/16"$

This submittal is meant to demonstrate general dimensions of this product. The drawings are not meant to detail every aspect of the product. Drawings are not to scale. Titus

reserves the right to make changes without written notice.