

Copeland™ Service CR Compressor Cross Reference Guide

Copeland™ Single Phase Compressor Models

TONNAGE	CR6/5 Ton	CRKQ	CR7	CR1,2,3	CRKF	CRKH	ZRK5/K3
1.5T	CR14K6-PFV		CR14K7-PFV				ZR16K5-PFV
	CR16K6-PFV	CR16KQ-PFV	CR16K7-PFV	CRZ4-0150-PFV	CR16KF-PFV		
	CR16K6-PFJ			CRZ4-0150-PFJ			
	CR18K6-PFV	CR18KQ-PFV	CR18K7-PFV	CRA1-0150-PFV	CR18KF-PFV	CR18KH-PFV	ZR18K5-PFV
	CR18K6-PFJ			CRA4-0150-PFV CRA1-0150-PFJ CRB1-0175-PFJ			
2T	CR20K6-PFV	CR20KQ-PFV	CR19K7-PFV	CRB1-0175-PFV CRB4-0175-PFV	CR20KF-PFV	CR20KH-PFV	ZR21K5-PFV
	CR22K6-PFV	CR22KQ-PFV	CR21K7-PFV CR23K7-PFV	CRC1-0175-PFV CRC4-0175-PFV	CR22KF-PFV		
	CR22K6-PFJ			CRC1-0175-PFJ			ZR21K5-PFJ
	CR24K6-PFV	CR24KQ-PFV	CR24K7-PFV	CRD1-0200-PFV CRD4-0200-PFV	CR24KF-PFV CR26KF-PFV		ZR25K5-PFV
	CR24K6-PFJ			CRD1-0200-PFJ			ZR25K5-PFJ
	CR28K6-PFV	CR28KQ-PFV	CR28K7-PFV	CRE2-0225-PFV CRE4-0225-PFV	CR28KF-PFV		ZR28K5-PFV
	CR28K6-PFJ			CRE2-0225-PFJ			ZR28K5-PFJ
	CR30K6-PFV	CR30KQ-PFV		CRF2-0250-PFV CRF4-0250-PFV	CR30KF-PFV		ZR28K5-PFV
CR30K6-PFJ			CRF2-0250-PFJ			ZR28K5-PFJ	
3T	CR32K6-PFV	CR32KQ-PFV CR33KQ-PFV	CR31K7-PFV	CRG3-0250-PFV	CR32KF-PFV CR33KF-PFV		ZR32K5-PFV
	CR32K6-PFJ			CRG3-0250-PFJ CRH3-0275-PFJ			ZR32K5-PFJ
	CR34K6-PFV	CR34KQ-PFV		CRH3-0275-PFV	CR34KF-PFV		ZR32K5-PFV
	CR35K6-PFV	CR36KQ-PFV	CR35K7-PFV	CRI3-0290-PFV	CR35KF-PFV		ZR38K5-PFV
	CR38K6-PFV	CR37KQ-PFV		CRJ3-0300-PFV CRJ3-0300-PFJ			ZR38K5-PFJ
				CRK3-0325-PFV			ZR42K5-PFV
							ZR42K5-PFJ
3.5T	CR42K6-PFV	CR41KQ-PFV CRKQ-0325-PFV CRKQ-0325-PFJ		CRK3-0325-PFJ			ZR48K5-PFV
4T		CR47KQ-PFV		CRL3-0350-PFV CRL3-0350-PFJ			ZR48K5-PFJ
4.5T	CRT5-0450-PFV	CR53KQ-PFV		CRM3-0400-PFV			ZR54K5-PFV
5T	CRP5-0450-PFV						ZR57K3-PFV
	CRN5-0500-PFV						ZR61K3-PFV

Code	Hz-Phase-Volts
PFV	60-1-208/230
PFJ	60-1-265
TF5	60-3-200/230
TFD	60-3-460
TFE	60-3-575

Copeland™ Three Phase Compressor Models

TONNAGE	CR6/5 Ton	CRKQ	CR7	CR1,2,3	CRKF	CRKH	ZRK5/K3
1.5T	CR18K6-TF5	CR18KQ-TF5		CRA1-0150-TF5			
				CRA1-0150-TFC			
	CR18K6-TFD	CR18KQ-TFD		CRA1-0150-TFD			
2T	CR22K6-TF5			CRC1-0175-TF5			ZR21K5-TF5
	CR22K6-TFD						ZR21K5-TFD
	CR24K6-TF5	CR24KQ-TF5		CRD1-0200-TF5			ZR25K5-TF5
	CR24K6-TFD	CR24KQ-TFD		CRD1-0200-TFD			ZR25K5-TFD
	CR28K6-TF5	CR28KQ-TF5	CR28K7-TF5	CRE1-0225-TF5			ZR28K5-TF5
	CR28K6-TFD	CR28KQ-TFD		CRE1-0225-TFD			ZR28K5-TFD
3T	CR30K6-TF5						ZR28K5-TF5
	CR30K6-TFD	CR30KQ-TFD		CRF1-0250-TFD			ZR28K5-TFD
	CR32K6-TF5	CR32KQ-TF5	CR31K7-TF5	CRF1-0250-TF5			ZR32K5-TF5
		CR33KQ-TF5		CRG3-0250-TF5			
	CR32K6-TFD	CR32KQ-TFD		CRG3-0250-TFD			ZR32K5-TFD
		CR33KQ-TFD					
	CR32K6-TFE						ZR32K5-TFE
	CR35K6-TF5	CR34KQ-TF5		CRH3-0275-TF5			ZR32K5-TF5
		CR36KQ-TF5		CRI3-0290-TF5			
	CR35K6-TFD	CR34KQ-TFD		CRH3-0275-TFD			ZR32K5-TFD
		CR36KQ-TFD		CRI3-0290-TFD			
	CR35K6-TFE			CRH3-0275-TFE			ZR32K5-TFE
CR38K6-TF5	CR37KQ-TF5		CRJ3-0300-TF5			ZR38K5-TF5	
CR38K6-TFD	CR37KQ-TFD		CRJ3-0300-TFD			ZR38K5-TFD	
CR38K6-TFE			CRJ3-0300-TFE			ZR38K5-TFE	
3.5T	CR42K6-TF5	CR41KQ-TF5		CRK3-0325-TF5			ZR42K5-TF5
		CRKQ-0325-TF5					
	CR42K6-TFD	CR41KQ-TFD		CRK3-0325-TFD			ZR42K5-TFD
		CRKQ-0325-TFD					
CR42K6-TFE	CRKQ-0325-TFE		CRK3-0325-TFE			ZR42K5-TFE	
4T		CR47KQ-TF5		CRL3-0350-TF5			ZR48K5-TF5
		CR47KQ-TFD		CRL3-0350-TFD			ZR48K5-TFD
		CR47KQ-TFE		CRL3-0350-TFE			ZR48K5-TFE
4.5T	CRT5-0450-TF5	CR53KQ-TF5		CRM3-0400-TF5			ZR54K5-TF5
	CRT5-0450-TFD	CR53KQ-TFD		CRM3-0400-TFD			ZR54K5-TFD
	CRT5-0450-TFE	CR53KQ-TFE					ZR54K5-TFE
5T	CRP5-0450-TF5						ZR57K3-TF5
	CRP5-0450-TFD						ZR57K3-TFD
	CRP5-0450-TFE						ZR57K3-TFE
	CRN5-0500-TF5						ZR61K3-TF5
	CRN5-0500-TFD						ZR61K3-TFD
CRN5-0500-TFE						ZR61K3-TFE	

Code	Hz-Phase-Volts
PFV	60-1-208/230
PFJ	60-1-265
TF5	60-3-200/230
TFD	60-3-460
TFE	60-3-575

Single Phase

TONNAGE	CR6/5 Ton	BRISTOL	TECUMSEH	CARLYLE	DANFOSS	ZRK5/K3
1.5T	CR14K6-PFV	H20B153ABC	AB5515G			ZR16K5-PFV
		H21B153	AB5515H			
		H21J143ABC	AB5517G			
		H21J14BABC	AB5517H			
		H21J153ABC	AJ1P13			
		H21J15BABC	AJ1R12			
		H22B153	AJ5513E			
		H23B153ABC	AJ5513F			
		H23B15QABC	AJ5515E			
		H24B15QABC	AJ5515F			
		H28B13BABC	AJ5517E			
		H29B13UABC	AJ8516E			
		H29B14UABC	AJ8516G			
			AJA5515EXD			
			AJB5513EXD			
			AJB5513EXR			
			AJB5515EXB			
			AJB5515EXD			
			AJC8516EXD			
			AJR13			
			AJR15			
			AJT12			
			AK8515G			
			AKA8513EXD			
			AKA8514EXD			
			AKA8515EXD			
			AKC8515EXD			
			AU1P13			
			AUR13			
			AW5513E			
			AWA5513EXD			
			AWH5513EXN			
	AWJ5515EXN					
	B1616					
	RK5515					
	RK5515E					
	RKA5513EXD					

Code	Hz-Phase-Volts
PFV	60-1-208/230
PFJ	60-1-265
TF5	60-3-200/230
TFD	60-3-460
TFE	60-3-575

Single Phase

TONNAGE	CR6/5 Ton	BRISTOL	TECUMSEH	CARLYLE	DANFOSS	ZRK5/K3
1.5T	CR16K6-PFV	H20B173ABC	AJ5516E		MT018-1	ZR16K5-PFV
		H20J153ABC	AJ5516G			
		H20J173ABC	AJ5517E			
		H23B15SABC	AJ5517F			
		H23B16SABC	AJ5517G			
		H23B173ABC	AJ8520E			
		H23B17QABC	AJ8520G			
		H24B153ABC	AJA5516EXD			
		H24B17QABC	AJA5517EXD			
		H25B15QABC	AJB5517EXD			
		H25B17QABC	AJC5516EXD			
		H26B15QCBC	AJC8520EXD			
		H27B15QCBC	AJR15			
		H29B15UABC	AW5515E			
		H29B16UABC	AW5515G			
		H2EB153ABC	AW5516H			
			AW5517			
			AW5517E			
			AW5517F			
			AW5517G			
			AW5517H			
			AWA5515EXD			
			AWA5517EXD			
			AWB5517EXD			
			AWC5515EXD			
			AWC5517EXD			
			AWD5516EXD			
			AWD5517EXD			
			AWF5516EXN			
			AWF5517EXN			
	AWG5515EXN					
	AWG5517EXN					
	AWH5516EXN					
	AWJ5517EXN					
	B32M16					
	RKA5515EXD					

Code	Hz-Phase-Volts
PFV	60-1-208/230
PFJ	60-1-265
TF5	60-3-200/230
TFD	60-3-460
TFE	60-3-575

Single Phase

TONNAGE	CR6/5 Ton	BRISTOL	TECUMSEH	CARLYLE	DANFOSS	ZRK5/K3
1.5T	CR16K6-PFJ	H20B173ABH	AB5515G			
		H23B153ABH	AB5517G			
		H23B15QABH	AJ5515E			
		H23B173ABH	AJ5515F			
		H23B17QABH	AJ5517E			
		H24B17QABH	AJA5517EXV			
		H25B17QABH	AJB5515EXV			
			AJR15			
			AJT12			
			AK8515E			
			AKA8515EXV			
			AW5515E			
			AW5515G			
			AW5516H			
			AW5517E			
			AW5517F			
			AW5517G			
			AW5517H			
			AWA5515EXV			
			AWA5517EXV			
			AWB5517EXV			
			AWC5515EXV			
			AWC5517EXV			
			AWD5516EXV			
			AWD5517EXV			
			AWF5516EVA			
			AWG5515EVA			
	AWG5517EVA					
	AWJ5515EVA					
	RK5515E					
	RKA5515EXV					

Code	Hz-Phase-Volts
PFV	60-1-208/230
PFJ	60-1-265
TF5	60-3-200/230
TFD	60-3-460
TFE	60-3-575

Single Phase

TONNAGE	CR6/5 Ton	BRISTOL	TECUMSEH	CARLYLE	DANFOSS	ZRK5/K3
1.5T	CR18K6-PFV	H21B173	AB5519F	M*20		ZR18K5-PFV
		H21B193	AB5519G			
		H21J173ABC	AB5519H			
		H21J17BABC	AJ5518E			
		H22B173	AJ5518G			
		H22B193	AJA5518EXD			
		H23B17SABC	AJC5518EXD			
		H23B18SABC	AJT15			
		H23B193ABC	AW5519			
		H23B19QABC	AWF5518EXN			
		H24B183ABC	AWJ5519EXN			
		H25B18QABC	B32P16			
		H26B17QCBC	B74P18			
		H26B18QCBC	RK5518E			
		H27B17QCBC	RKA5518EXD			
		H27B18QCBC				
		H29B17UABC				
		H29B18UABC				
	H2EA193					
	CR18K6-PFJ	H20B193ABH	AB5519F			
		H23B17SABH	AB5519G			
		H23B18SABH	AJ5518E			
		H24B19QABH	AJ5519E			
		H25B18QABH	AJ8520H			
		H29B17UABH	AJA5518EXV			
		H29B18UABH	AJA5519EXV			
			AJD8520EXV			
			AJT15			
			AW5519E			
			AW5519F			
			AW5519G			
			AWA5519EXV			
			AWB5519EXV			
			AWC5519EXV			
		AWF5518EVA				
	AWF5519EVA					
	AWG5519EVA					
	AWJ5519EVA					
	RK5518E					
	RKA5518EVA					
	RKA5518EXV					

Code	Hz-Phase-Volts
PFV	60-1-208/230
PFJ	60-1-265
TF5	60-3-200/230
TFD	60-3-460
TFE	60-3-575

Three Phase

TONNAGE	CR6/5 Ton	BRISTOL	TECUMSEH	CARLYLE	DANFOSS	ZRK5/K3
1.5T	CR18K6-TF5	H23B203DBD	AB5520H			
		H23B20QDBD	AH20L12V			
		H23B20QDBL	AH5520E			
		H24B17QDBL	B32P16			
			B74T16			
	CR18K6-TFD	H23B203DBE	AB5520H			
		H23B20QDBE	AH20L12			
			AH20L12V			
			AH5520E			
			AH5520F			

Code	Hz-Phase-Volts
PFV	60-1-208/230
PFJ	60-1-265
TF5	60-3-200/230
TFD	60-3-460
TFE	60-3-575

Single Phase

TONNAGE	CR6/5 Ton	BRISTOL	TECUMSEH	CARLYLE	DANFOSS	ZRK5/K3
2T	CR20K6-PFV	H20B193ABC	AB5520F			ZR21K5-PFV
		H20B203ABC	AB5520G			
		H20B213	AB5520H			
		H20B213ABC	AH20L12			
		H20J193ABC	AH20L12V			
		H21B203	AH5519E			
		H21J193ABC	AH5520E			
		H21J19BABC	AH5520F			
		H21J203ABC	AJ5519E			
		H21J20BABC	AJ5519G			
		H23B203ABC	AJA5519EXD			
		H23B20QABC	AJA8520EXD			
		H23B20SABC	AJC5519EXD			
		H24B19QABC	AW5519E			
		H24B203ABC	AW5519F			
		H24B20QABC	AW5519G			
		H24B21QABC	AW5519H			
		H25B20QABC	AW5520			
		H26B20QCBC	AW5520E			
		H29B20UABC	AW5520F			
		H2EA223	AW5520G			
		H2EB193ABC	AWA5519EXD			
		H2EB203ABC	AWA5520EXD			
		H2EB20SABC	AWB5519EXD			
		T21J205CBC	AWB5520EXD			
			AWC5519EXD			
			AWC5520EXD			
			AWD5519EXD			
			AWF5519EXN			
			AWF5520EXN			
	AWG4520EXN					
	AWG5519EXN					
	AWG5520EXN					
	AWJ5520EXN					
	B74P18					
	B74T16					

Code	Hz-Phase-Volts
PFV	60-1-208/230
PFJ	60-1-265
TF5	60-3-200/230
TFD	60-3-460
TFE	60-3-575

Single Phase

TONNAGE	CR6/5 Ton	BRISTOL	TECUMSEH	CARLYLE	DANFOSS	ZRK5/K3	
2T	CR22K6-PFV	H20B223ABC	AB5522F	J*22	MT022-1	ZR21K5-PFV	
		H20B243ABC	AB5522G	M*23			
		H20J213ABC	AB5522H				
		H20J223ABC	AB5524F				
		H21B223	AH22M12				
		H21B223ABC	AH22M12V				
		H21J223ABC	AH24P12V				
		H22B233	AH5522E				
		H23B223ABC	AH5522F				
		H23B22QABC	AH5524E				
		H23B22SABC	AH8524E				
		H24B22QABC	AH8526E				
		H24B24QABC	AW5522				
		H25B22QABC	AW5522E				
		H26B22QCBC	AW5522F				
		H27B20QCBC	AW5522G				
		H27B22QCBC	AW5522H				
		H29B22UABC	AWA5522EXD				
		H29B22UCBC	AWB5522EXD				
		H2EB223ABC	AWC5522EXD				
	T21J225CBC	AWD5522EXD					
	T27B224CBC	AWF5522EXN					
			AWG5522EXN				
			AWH5522EXN				
			B21T18				
			E64U18				
		CR22K6-PFJ	H20B223ABH	AB5520F			ZR21K5-PFJ
			H20B243ABH	AB5520G			
	H23B20SABH		AB5522F				
	H23B223ABH		AB5522G				
	H23B22QABH		AH22M12				
	H23B22SABH		AH22M12V				
	H24B22QABH		AH5522E				
	H24B24QABH		AH8526E				
	H25B22QABH	AW5520E					
	H29B20UABH	AW5520F					
	H29B22UABH	AW5520G					

Code	Hz-Phase-Volts
PFV	60-1-208/230
PFJ	60-1-265
TF5	60-3-200/230
TFD	60-3-460
TFE	60-3-575

Single Phase

TONNAGE	CR6/5 Ton	BRISTOL	TECUMSEH	CARLYLE	DANFOSS	ZRK5/K3
2T	CR22K6-PFJ		AW5522E			ZR21K5-PFJ
			AW5522F			
			AW5522G			
			AWA5520EXV			
			AWA5522EXV			
			AWB5520EXV			
			AWB5522EXV			
			AWC5520EXV			
			AWC5522EXV			
			AWF5520EVA			
			AWF5522EVA			
			AWG5520EVA			
			AWG5522EVA			
	AWJ5522EVA					
	CR24K6-PFV	H20B263	AB5524G	J*25		ZR25K5-PFV
		H20B263ABC	AB5524H	M*24		
		H20J253ABC	AB5524S	M*27		
		H20J273ABC	AH24P12			
		H21B243	AH24P12V			
		H21J243ABC	AH5524E			
		H21J24BABC	AH5524F			
		H21J253ABC	AH8529E			
		H21J25BABC	AW5524			
		H22B253	AW5524E			
		H23B243ABC	AW5524F			
		H23B24QABC	AW5524G			
		H23B24SABC	AW5524H			
		H24B223ABC	AW5526G			
H24B26QABC		AWA5524EXD				
H25B24QABC	AWB5524EXD					
H26B24QCBC	AWC5524EXD					
H27B24QCBC	AWC5526EXD					
H29B24UABC	AWD5524EXD					
H2EA253	AWF5524EXN					
H2EA253AB	AWG4524EXN					
H2EB26SABC	AWG5524EXN					
T21J265CBC	AWJ5524EXN					
T27B264CBC	B02A					
	B02B					
	B21U18					

Code	Hz-Phase-Volts
PFV	60-1-208/230
PFJ	60-1-265
TF5	60-3-200/230
TFD	60-3-460
TFE	60-3-575

Single Phase

TONNAGE	CR6/5 Ton	BRISTOL	TECUMSEH	CARLYLE	DANFOSS	ZRK5/K3
2T	CR24K6-PFJ	H20B263ABH	AB5524F			ZR25K5-PFJ
		H23A263ABH	AB5524G			
		H23B24SABH	AH24P12			
		H24B26QABH	AH24P12V			
		H25B24QABH	AH5524E			
		H29B24UABH	AH8529E			
		H29B26UABH	AW5524E			
			AW5524F			
			AW5524G			
			AW5525H			
			AW5526G			
			AWA5524EXV			
			AWB5524EXV			
			AWC5524EXV			
			AWD5524EXV			
			AWF5524EVA			
		AWG5524EVA				
		AWJ5524EVA				
		H20B283ABC	AB5526H	J*28		ZR28K5-PFV
		H21A273	AB5527H	J*30		
		H21A293	AB5528G	M*30		
		H21B263	AB5528H	M*32		
		H21B263ABC	AB5528S			
		H21B273	AH28Q13			
		H21B283	AH28Q13V			
		H21J273ABC	AH5527E			
		H21J27BABC	AH5527F			
		H22A273	AH8532E			
		H23A263ABC	AHA5527EXD			
		H23A283ABC	AW5528			
		H23B263ABC	AW5528E			
		H23B26QABC	AW5528F			
	H23B26SABC	AW5528G				
	H23B283ABC	AW5528H				
	H23B28QABC	AWA5528EXD				
	H23B28SABC	AWB5528EXD				
	H24B263ABC	AWC5528EXD				
	H24B283ABC	AWD5528EXD				

Code	Hz-Phase-Volts
PFV	60-1-208/230
PFJ	60-1-265
TF5	60-3-200/230
TFD	60-3-460
TFE	60-3-575

Single Phase

TONNAGE	CR6/5 Ton	BRISTOL	TECUMSEH	CARLYLE	DANFOSS	ZRK5/K3
2T	CR28K6-PFV	H24B28QABC	AWF5526EXN			ZR28K5-PFV
		H25B26QABC	AWF5528EXN			
		H25B28QABC	AWG5526EXN			
		H26B26QCBC	AWG5528EXN			
		H26B28QCBC	AWH5528EXN			
		H27A28QCBC	AWJ5528EXN			
		H27B26QCBC	B02B			
		H27B28QCBC				
		H29B26UABC				
		H29B28UABC				
		H2EA293				
		H2EB263ABC				
		H2EB283ABC				
		H2EB28SABC				
	T27B284CBC					
	CR28K6-PFJ	H20B283ABH	AB5528G			ZR28K5-PFJ
		H23B26SABH	AH28Q13V			
		H23B28QABH	AH5527E			
		H23B28SABH	AH8532E			
		H24B28QABH	AW5528E			
		H25B26QABH	AW5528F			
		H25B28QABH	AW5528G			
		H29B28UABH	AWA5528EXV			
			AWB5528EXV			
			AWF5528EVA			
			AWG5528EVA			
			AWJ5528EVA			

Code	Hz-Phase-Volts
PFV	60-1-208/230
PFJ	60-1-265
TF5	60-3-200/230
TFD	60-3-460
TFE	60-3-575

Three Phase

TONNAGE	CR6/5 Ton	BRISTOL	TECUMSEH	CARLYLE	DANFOSS	ZRK5/K3
2T	CR22K6-TF5	H23B223DBD	AB5522H		MT022-3	ZR21K5-TF5
		H23B223DBL	AH5522E			
		H23B22QDBD	AH8524E			
		H23B22QDBL	AH8526E			
		H25B22QDBL	AW5520F			
		H29B22UDBL	AW5520G			

Three Phase

TONNAGE	CR6/5 Ton	BRISTOL	TECUMSEH	CARLYLE	DANFOSS	ZRK5/K3
2T	CR22K6-TF5		AW5520S			ZR21K5-TF5
			AW5522F			
			AW5522G			
			AWB5520EXT			
			AWB5522EXT			
			AWC5520EXT			
			AWC5522EXT			
			AWE5520EXT			
			AWF5522EXT			
			AWG5520EXT			
	CR22K6-TFD	H23B223DBE H23B22QDBE H25B22QDBE H29B22UDBV	AB5522H		MT022-4	ZR21K5-TFD
			AH22M12			
			AH22M12V			
			AH5522E			
			AW5520F			
			AW5520G			
			AW5522F			
			AW5522G			
			AWB5520EXG			
			AWB5522EXG			
			AWC5520EXG			
			AWC5522EXG			
			AWF5522EXG			
	AWG5520EXG					
	CR24K6-TF5	H20J253DBL H21J253DBL H23B243DBD H23B24QDBD H23B24QDBL H23B263DBD H23B26QDBD H23B26QDBL H25B24QDBL H29B24UDBL	AB5524H			ZR25K5-TF5
			AH24P12			
			AH24P12V			
			AH5524E			
			AW5524E			
			AW5524F			
			AW5524G			
			AW5525H			
			AWB5524EXT			
AWC5524EXT						
	AWD5524EXT					
	AWE5524EXT					
	AWF5524EXT					
	AWG5524EXT					
	B02A					

Code	Hz-Phase-Volts
PFV	60-1-208/230
PFJ	60-1-265
TF5	60-3-200/230
TFD	60-3-460
TFE	60-3-575

Three Phase

TONNAGE	CR6/5 Ton	BRISTOL	TECUMSEH	CARLYLE	DANFOSS	ZRK5/K3
2T	CR24K6-TFD	H20J253DBV	AB5524H			ZR25K5-TFD
		H21J253DBV	AH24P12			
		H23B243DBE	AH24P12V			
		H23B24QDBE	AH5524E			
		H23B263DBE	AW5524F			
		H23B26QDBE	AW5524G			
		H25B24QDBE	AW5525H			
		H29B24UDBE	AWB5524EXG			
		H29B24UDBV	AWC5524EXG			
			AWD5524EXG			
			AWF5524EXG			
			AWG5524EXG			
		CR28K6-TF5	H21J273DBL			
	H23A263DBL		AH28Q13			
	H23B283DBD		AH28Q13V			
	H23B283DBL		AH5527E			
	H23B28QDBD		AH5527F			
	H23B28QDBL		AH8532E			
	H25B28QDBL		AW5526G			
	H29B26UDBL		AW5528F			
	H29B28UDBL		AW5528G			
			AW5528H			
			AWB5528EXT			
			AWC5526EXT			
			AWC5528EXT			
		AWD5528EXT				
	AWF5528EXT					
	AWG5530EXT					

Code	Hz-Phase-Volts
PFV	60-1-208/230
PFJ	60-1-265
TF5	60-3-200/230
TFD	60-3-460
TFE	60-3-575

Three Phase

TONNAGE	CR6/5 Ton	BRISTOL	TECUMSEH	CARLYLE	DANFOSS	ZRK5/K3
2T	CR28K6-TFD	H21J273DBV	AB5528H			ZR28K5-TFD
		H23A263DBE	AH28Q13			
		H23B283DBE	AH28Q13V			
		H23B28QDBE	AH5527E			
		H25B28QDBE	AW5526G			
		H29B26UDBE	AW5528F			
		H29B26UDBV	AW5528G			
		H29B28UDBE	AW5528H			
		H29B28UDBV	AWB5528EXG			
			AWC5526EXG			
			AWC5528EXG			
			AWD5528EXG			
			AWF5528EXG			
			AWG5530EXG			

Code	Hz-Phase-Volts
PFV	60-1-208/230
PFJ	60-1-265
TF5	60-3-200/230
TFD	60-3-460
TFE	60-3-575

Single Phase

TONNAGE	CR6/5 Ton	BRISTOL	TECUMSEH	CARLYLE	DANFOSS	ZRK5/K3
3T	CR30K6-PFV	H20A303	AB5530G	R*30	MT028-1	ZR28K5-PFV
		H20B293	AB5530H			
		H20B293ABC	AH31S13			
		H20B313	AH31S13V			
		H20B313ABC	AH31T13			
		H20J293ABC	AH31T13V			
		H20J303ABC	AH5530E			
		H20J313ABC	AH5530F			
		H21B293	AH5531E			
		H21J293ABC	AH5531F			
		H21J303ABC	AH5531G			
		H21J30BABC	AW5530			
		H21J323ABC	AW5530E			
		H21J32BABC	AW5530F			
		H22A293	AW5530G			
		H23A303ABC	AW5531H			
		H23B303ABC	AWA5530EXD			
		H23B30QABC	AWB5530EXD			
		H23B30SABC	AWC5530EXD			
		H24B29QABC	AWD5531EXD			
		H24B30QABC	AWF5530EXN			
		H24B31QABC	AWG5530EXN			
		H25B30QABC	CL25X12			
		H26B30QCBC	CL26X12			
	H27B30QCBC	CL26Z12				
	H29B30UABC					
	H2EB323ABC					
	T27B324CBC					
	CR30K6-PFJ	H23A303ABH	AB5530G			ZR28K5-PFJ
		H23B30SABH	AH31S13V			
		H25B30QABH	AH5530E			
		H29B30UABH	AH5531E			
		AH5531G				
		AW5530E				
		AW5530F				
	AW5530G					
	AW5531H					

Code	Hz-Phase-Volts
PFV	60-1-208/230
PFJ	60-1-265
TF5	60-3-200/230
TFD	60-3-460
TFE	60-3-575

Single Phase

TONNAGE	CR6/5 Ton	BRISTOL	TECUMSEH	CARLYLE	DANFOSS	ZRK5/K3
3T	CR30K6-PFJ		AWA5530EXV			ZR28K5-PFJ
			AWB5530EXV			
			AWD5531EXV			
			AWF5530EVA			
			AWG5530EVA			
			AWG5532EVA			
			AWJ5530EVA			
	CR32K6-PFV	H20A323	AH5533E	J*33	MT032-1	ZR32K5-PFV
		H20A343	AH8538E	M*34		
		H20J323ABC	AV5532E			
		H21A313	AV5532H			
		H21A313ABC	AV5533G			
		H22A313	AVA5532EXN			
		H23A323ABC	AVC5532EXN			
		H23B323ABC	AW5532			
		H23B32QABC	AW5532E			
		H23B32SABC	AW5532F			
		H23B33SABC	AW5532G			
		H25A32QCBC	AWA5532EXD			
		H25B32QABC	AWB5532EXD			
		H25B33EABC	AWC5532EXD			
		H26A32QCBC	AWF5532EXN			
		H27A32QCBC	AWG5532EXN			
		H27B32QCBC	AWJ5532EXN			
		H29A323CBC				
		H29B32UABC				
		H2EA323				
	H2EA333					
	T21J334CBC					
	CR32K6-PFJ	H23A323ABH	AH31T13V			ZR32K5-PFJ
		H23A353ABH	AH8538E			
		H23B33SABH	AV5532E			
		H25B32QABH	AV5535E			
H25B35QABH		AVA5532EXV				
H29B32UABH		AVA5535EXV				
H29B35UABH		AW5532E				
		AW5532F				
	AW5532G					

Code	Hz-Phase-Volts
PFV	60-1-208/230
PFJ	60-1-265
TF5	60-3-200/230
TFD	60-3-460
TFE	60-3-575

Single Phase

TONNAGE	CR6/5 Ton	BRISTOL	TECUMSEH	CARLYLE	DANFOSS	ZRK5/K3							
3T	CR32K6-PFJ		AWA5532EXV			ZR32K5-PFJ							
			AWB5532EXV										
			AWF5532EVA										
			AWF5533EVA										
			AWJ5532EVA										
	CR34K6-PFV		H20A353	AH34X13	J*36		ZR32K5-PFV						
			H20J353ABC	AH5534E									
			H21J343ABC	AH8539E									
			H21J34BABC	AV5533F									
			H22A353	AV5535E									
			H23A35QABC	AV5535G									
			H25B34EABC	AVB5533EXN									
			H29B33UABC	AVD5533EXN									
			T27B355CBC	AWF5533EXN									
			CR35K6-PFV					H21A343	AH8543E	M*35		ZR32K5-PFV	
	H21J363ABC	AV5535F				R*35							
	H21J36BABC	AV5535H											
	H23A353ABC	AVA5535EXN											
	H23B35SABC	AVB5535EXN											
	H25A35QCBC	AVC5535EXN											
	H25B35QABC	AVD5535EXN											
	H26A35QCBC	JE300											
	H27A35QCBC	TVA5535EXN											
	H27B35QCBC	TVB5535EXN											
	H29A353CBC												
	H29B35UABC												
	H2EA363												
	CR38K6-PFV						H20A403	AH40X15	J*39				ZR38K5-PFV
							H20J383ABC	AH5540E	M*40				
		H21A373	AV5538E	R*39									
		H21A373ABC	AV5538F										
		H21J383ABC	AV5538G										
		H21J38BABC	AV5538H										
		H22A383	AVA5538EXN										
		H23A36QABC	AVB5538EXN										
		H23A383ABC	AVC5538EXN										
		H24A383ABC	AVD5538EXN										
	H25A38QCBC	CL30Y14											

Code	Hz-Phase-Volts
PFV	60-1-208/230
PFJ	60-1-265
TF5	60-3-200/230
TFD	60-3-460
TFE	60-3-575

Single Phase

TONNAGE	CR6/5 Ton	BRISTOL	TECUMSEH	CARLYLE	DANFOSS	ZRK5/K3
3T	CR38K6-PFV	H26A38QCBC	CL31Y14			ZR38K5-PFV
		H27A38QCBC	CL32ZA14			
		H28A383ABC	CL5538E			
		H29A383CBC	CL5538F			
			JE301			
		PJE300				
		PJE301				
		AH8543E	ZR38K5-PFJ			
		AV5538E				
		AVA5538EXV				

Code	Hz-Phase-Volts
PFV	60-1-208/230
PFJ	60-1-265
TF5	60-3-200/230
TFD	60-3-460
TFE	60-3-575

Three Phase

TONNAGE	CR6/5 Ton	BRISTOL	TECUMSEH	CARLYLE	DANFOSS	ZRK5/K3
3T	CR30K6-TF5	H20J293DBL	AB5530H		MT028-3	ZR28K5-TF5
		H21J303DBL	AH31S13			
		H23A303DBL	AW5530F			
		H23B303DBD	AW5530G			
		H23B30QDBD	AWB5530EXT			
		H23B30QDBL	AWC5530EXT			
		H25B30QDBL	AWF5530EXT			
		H29B30UDBL	CL26X12			
	CR30K6-TFD	H20J293DBV	AB5530H		MT028-4	ZR28K5-TFD
		H21J303DBV	AW5530F			
		H23A303DBE	AW5530G			
		H23B303DBE	AWB5530EXG			
		H23B30QDBE	AWC5530EXG			
		H25B30QDBE	AWF5530EXG			
		H29B30UDBE	CL26X12			
		H29B30UDBV				
	CR32K6-TF5	H20J323DBL	AH31T13		MT032-3	ZR32K5-TF5
		H21A313DBL	AH31T13V			
		H21J323DBL	AH5531E			
		H23A323DBL	AH8538E			
		H23B323DBD	AV5532E			
		H23B323DBL	AV5533G			
		H23B32QDBD	AVA5532EXT			
		H23B32QDBL	AVB5533EXT			
		H23B35QDBD	AW5531H			
		H23B35QDBL	AW5532F			

Three Phase

TONNAGE	CR6/5 Ton	BRISTOL	TECUMSEH	CARLYLE	DANFOSS	ZRK5/K3
3T	CR32K6-TF5	H25A32QDBL	AW5532G			ZR32K5-TF5
		H25B32QDBL	AWB5532EXT			
		H25B33EDBL	AWC5532EXT			
		H26A32QDBL	AWD5531EXT			
		H27A32QDBL	AWF5532EXT			
		H29A323DBL	AWG5532EXT			
		H29B32UDBL	CL25X12			
		H29B33UDBL	PJG300			
			PJG301			
	CR32K6-TFD	H20J323DBV	AH31T13		MT032-4	ZR32K5-TFD
		H21A313DBE	AH31T13V			
		H21J323DBV	AH5531E			
		H23A323DBE	AH5531G			
		H23B323DBE	AH8538E			
		H23B32QDBE	AV5532E			
		H23B353DBE	AV5533G			
		H23B35QDBE	AVA5532EXG			
		H25A32QDBE	AVB5533EXG			
		H25B32QDBE	AW5531H			
		H25B33EDBE	AW5532F			
		H26A32QDBE	AW5532G			
		H27A32QDBE	AWB5532EXG			
		H29A323DBV	AWC5532EXG			
		H29B32UDBE	AWD5531EXG			
		H29B32UDBV	AWF5532EXG			
		H29B33UDBE	CL25X12			
		CR32K6-TFE	H20J293DBF			
	H20J323DBF					
	H21J303DBF					
	H25A32QDBF					
	H26A32QDBF					
	H27A32QDBF					
	H29A323DBF					
	H29B33UDBF					
	CR35K6-TF5	H20J353DBL	AH34X13			ZR32K5-TF5
		H21A343DBL	AH5534E			
		H21J343DBL	AH8543E			
		H21J363DBL	AV5533E			

Code	Hz-Phase-Volts
PFV	60-1-208/230
PFJ	60-1-265
TF5	60-3-200/230
TFD	60-3-460
TFE	60-3-575

Three Phase

TONNAGE	CR6/5 Ton	BRISTOL	TECUMSEH	CARLYLE	DANFOSS	ZRK5/K3
3T	CR35K6-TF5	H23A353DBL	AV5535E			ZR32K5-TF5
		H23A35QDBL	AV5535F			
		H25A35QDBL	AV5535G			
		H25B35QDBL	AVA5535EXT			
		H26A35QDBL	AVB5535EXT			
		H27A35QDBL	AVD5533EXT			
		H29A353DBL	AVD5535EXT			
		H29B35UDBL	JE300			
			JE301			
			TVB5535EXT			
	CR35K6-TFD	H20J353DBV	AH34X13			ZR32K5-TFD
		H21A343DBE	AH5534E			
		H21J343DBV	AH8543E			
		H21J363DBV	AV5535E			
		H23A353DBE	AV5535F			
		H23A35QDBE	AV5535G			
		H25A35QDBE	AVA5535EXG			
		H25B35QDBE	AVB5535EXG			
		H26A35QDBE	AVD5535EXG			
		H27A35QDBE				
		H29A353DBV				
		H29B35UDBE				
H29B35UDBV						

Code	Hz-Phase-Volts
PFV	60-1-208/230
PFJ	60-1-265
TF5	60-3-200/230
TFD	60-3-460
TFE	60-3-575

Three Phase

TONNAGE	CR6/5 Ton	BRISTOL	TECUMSEH	CARLYLE	DANFOSS	ZRK5/K3
3T	CR35K6-TFE	H20J353DBF	AVB5535EXH			ZR32K5-TFE
		H21J363DBF	TVA5535EXH			
		H25A35QDBF	TVB5535EXH			
		H25B35QDBF				
		H26A35QDBF				
		H29A353DBF				
		H29B35UDBF				
	CR38K6-TF5	H20J383DBL	AV5538E		MT036-3	ZR38K5-TF5
		H21A373DBL	AV5538F			
		H21J383DBL	AV5538G			
		H23A383DBL	AVA5538EXT			
		H23A38QDBL	AVB5538EXT			
		H24A383DBL	AVD5538EXT			
		H25A38QDBL	CL30Y14			
		H26A38QDBL	CL31Y14			
		H27A38QDBL	CL5538E			
		H28A383DBL	CL5538G			
		H29A383DBL	PJE300			
			PJE301			
		CR38K6-TFD	H20J383DBV			
	H21A373DBE		AV5538G			
	H21J383DBV		AVA5538EXG			
	H23A383DBE		AVB5538EXG			
	H23A38QDBE		CL30Y14			
	H24A383DBE		CL31Y14			
	H25A38QDBE		CL5538E			
	H26A38QDBE		CL5538G			
	H27A38QDBE					
	H28A383DBV					
	H29A383DBV					

Code	Hz-Phase-Volts
PFV	60-1-208/230
PFJ	60-1-265
TF5	60-3-200/230
TFD	60-3-460
TFE	60-3-575

Three Phase

TONNAGE	CR6/5 Ton	BRISTOL	TECUMSEH	CARLYLE	DANFOSS	ZRK5/K3
3T	CR38K6-TFE	H20J383DBF	AVB5538EXH			ZR38K5-TFE
		H23A383DBF				
		H24A383DBF				
		H25A38QDBF				
		H26A38QDBF				
		H27A38QDBF				
		H28A383DBF				
		H29A383DBF				

Code	Hz-Phase-Volts
PFV	60-1-208/230
PFJ	60-1-265
TF5	60-3-200/230
TFD	60-3-460
TFE	60-3-575

Single Phase

TONNAGE	CR6/5 Ton	BRISTOL	TECUMSEH	CARLYLE	DANFOSS	ZRK5/K3
3.5T	CR42K6-PFV	H20J403ABC	AH40X15	J*42	MT040-1	ZR42K5-PFV
		H20J423ABC	AH5540E	J*45		
		H20J433ABC	AH5540F	P*46		
		H20J443ABC	AH5540G	PY4666		
		H21A413	AH8548E			
		H21A413ABC	AV5540F			
		H21J40BABC	AV5542E			
		H21J433ABC	AV5542F			
		H21J43BABC	AV5542G			
		H22A423	AV5542H			
		H23A423ABC	AV5543F			
		H23A42QABC	AVA5542EXN			
		H24A423ABC	AVB5542EXN			
		H25A42QCBC	AVC5542EXN			
		H26A42QCBC	AVD5540EXN			
		H27A42QCBC	AVD5542EXN			
		H28A423ABC	AVD5543EXN			
		H29A403CBC	CL32ZA14			
		H29A423CBC	CL36ZC14			
		H2EA413	CL5540E			
		CL5540F				
		CL5544E				
		CL5544F				
	CL5544H					
	TVA5540EXN					
	AH8548E					
	AV5542E					
	AVA5542EXV					
						ZR42K5-PFJ

Code	Hz-Phase-Volts
PFV	60-1-208/230
PFJ	60-1-265
TF5	60-3-200/230
TFD	60-3-460
TFE	60-3-575

Three Phase

TONNAGE	CR6/5 Ton	BRISTOL	TECUMSEH	CARLYLE	DANFOSS	ZRK5/K3
3.5T	CR42K6-TF5	H20J403DBL	AH40X15		MT040-3	ZR42K5-TF5
		H20J423DBD	AH5540E		MT045-3	
		H20J443DBD	AH5540F			
		H21A413DBL	AH8548E			
		H23A423DBL	AV5540F			
		H23A42QDBL	AV5542E			
		H24A423DBL	AV5542F			

Three Phase

TONNAGE	CR6/5 Ton	BRISTOL	TECUMSEH	CARLYLE	DANFOSS	ZRK5/K3
3.5T	CR42K6-TF5	H25A42QDBL	AV5542G			ZR42K5-TF5
		H26A42QDBL	AVA5542EXT			
		H27A42QDBL	AVB5542EXT			
		H28A423DBL	AVD5540EXT			
		H29A423DBL	AVD5542EXT			
			CL32ZA14			
			CL36ZC14			
			CL5540E			
			CL5540G			
			CL5544E			
		CL5544G				
	CR42K6-TFD	H20J403DBE	AH40X15		MT040-4	ZR42K5-TFD
		H20J423DBE	AH5540E			
		H20J443DBE	AH8548E			
		H21A413DBE	AV5540F			
		H21J403DBV	AV5542E			
		H21J433DBV	AV5542F			
		H23A423DBE	AV5542G			
		H23A423DBW	AVA5542EXG			
		H23A42QDBE	AVB5541EXG			
		H24A423DBE	AVB5542EXG			
		H25A42QDBE	AVD5540EXG			
		H26A42QDBE	AVD5542EXG			
		H27A42QDBE	CL32ZA14			
		H28A423DBV	CL36ZC14			
		H29A423DBV	CL5540E			
			CL5540G			
			CL5544E			
		CL5544G				
		SAA5540EXG				
	CR42K6-TFE	H20J403DBF	AVB5542EXH			ZR42K5-TFE
		H20J423DBF	AVD5540EXH			
		H20J443DBF	AVD5542EXH			
H23A423DBF		AVD5545EXH				
H24A423DBF		TVA5540EXH				
H25A42QDBF		TVA5545EXH				
H26A42QDBF						
H27A42QDBF						
H28A423DBF						
H29A423DBF						

Code	Hz-Phase-Volts
PFV	60-1-208/230
PFJ	60-1-265
TF5	60-3-200/230
TFD	60-3-460
TFE	60-3-575

Single Phase

TONNAGE	CR6/5 Ton	BRISTOL	TECUMSEH	CARLYLE	DANFOSS	ZRK5/K3
4T	CR47KQ-PFV	H21A463	AG5546E	J*48	MT044-1	ZR48K5-PFV
		H21A463ABC	AG5546H	J*51		
		H21J443ABC	AGA5546EXN	M*42		
		H21J44BABC	AGB5546EXN	P*50		
		H23A463ABC	AV5545F			
		H23A46QABC	AV5546E			
		H23A503ABC	AV5546H			
		H25A46QCBC	AV5548F			
		H25A50QCBC	AV5549G			
		H26A46QCBC	AVA5546EXN			
		H26A50QCBC	AVB5549EXN			
		H27A46QCBC	AVC5546EXN			
		H27A50QCBC	AVD5545EXN			
		H29A443CBC	AVD5548EXN			
		H29A473CBC	CL41ZA17			
		T26A464BBC	CL5550E			
		T29A464BBC	CL5550G			
			TVA5545EXN			
		AV5546E				
		AVA5546EXV			ZR48K5-PFJ	

Code	Hz-Phase-Volts
PFV	60-1-208/230
PFJ	60-1-265
TF5	60-3-200/230
TFD	60-3-460
TFE	60-3-575

Three Phase

TONNAGE	CR6/5 Ton	BRISTOL	TECUMSEH	CARLYLE	DANFOSS	ZRK5/K3
4T	CR47KQ-TF5	H21A463DBL	AG5546E		MT044-3	ZR48K5-TF5
		H21J443DBD	AGA5546EXT			
		H23A463DBL	AV5545F			
		H23A46QDBL	AV5546E			
		H23A503DBL	AV5548F			
		H23A50QDBL	AV5549G			
		H25A46QDBL	AV5550E			
		H25A50QDBL	AVA5546EXT			
		H26A46QDBL	AVB5549EXT			
		H26A50QDBL	AVD5545EXT			
		H27A46QDBL	AVD5548EXT			
		H27A50QDBL	AVD5550EXT			
		H28A503DBL	CL41ZA17			
		H29A473DBL	CL5550E			
					CL5550G	
					SAA5545EXT	
		TVA5545EXT				

Three Phase

TONNAGE	CR6/5 Ton	BRISTOL	TECUMSEH	CARLYLE	DANFOSS	ZRK5/K3
4T	CR47KQ-TFD	H21A463DBE	AG5546E		MT044-4	ZR48K5-TFD
		H23A463DBE	AG5546F			
		H23A46QDBE	AG5546H			
		H23A503DBE	AGA5546EXG			
		H25A46QDBE	AGB5546EXG			
		H25A50QDBE	AGC5546EXG			
		H26A46QDBE	AV5545F			
		H26A50QDBE	AV5546E			
		H27A46QDBE	AV5548F			
		H27A50QDBE	AV5549G			
		H28A473DBV	AVA5546EXG			
		H28A503DBV	AVB5549EXG			
		H29A473DBV	AVD5545EXG			
			AVD5548EXG			
		CL41ZA17				
		CL5550E				
		CL5550G				
		TVA5545EXG				
		H23A463DBF	AVB5549EXH	SRJ48AC	HDM048T7	ZR48K5-TFE
		H23A503DBF	AVD5548EXH	SRJ48HC	HRM047U7	
		H23C473DBF		XCJ452HA	HRM048U7	
		H25A46QDBF		XCJ472HA	MT044-7	
		H25A50QDBF		XRJ482HA		
		H26A46QDBF		XRJ482HE		
		H26A50QDBF		XRJ482HU		
		H27A46QDBF				
	H27A50QDBF					
	H28A503DBF					
	H29A473DBF					
	H29A503DBF					

Code	Hz-Phase-Volts
PFV	60-1-208/230
PFJ	60-1-265
TF5	60-3-200/230
TFD	60-3-460
TFE	60-3-575

Single Phase

TONNAGE	CR6/5 Ton	BRISTOL	TECUMSEH	CARLYLE	DANFOSS	ZRK5/K3
4.5T	CR53KQ-PFV	H23A50QABC	CL40ZA17	P*53		ZR54K5-PFV
		H23A543ABC	FE400	R*54		
		H25A54QCBC	PFB400			
		H26A54QCBC	PFB403			
		H27A54QCBC				
		H29A503CBC				
		T29A544BBC				
	CRT5-0450-PFV	H23A563ABC	AG5553E			
		H25A56QCBC	AG5553H			
		H26A56QCBC	AGA5553EXN			
		H29A543CBC	AGB5553EXN			
			AV5555E			
			AVA5555EXN			
			SF5554E			
			SF5554EXD			
			SFA5554EXN			

Code	Hz-Phase-Volts
PFV	60-1-208/230
PFJ	60-1-265
TF5	60-3-200/230
TFD	60-3-460
TFE	60-3-575

Three Phase

TONNAGE	CR6/5 Ton	BRISTOL	TECUMSEH	CARLYLE	DANFOSS	ZRK5/K3
4.5T	CR53KQ-TF5	H23A543DBL	CL40ZA17		MT050-3	ZR54K5-TF5
		H23A54QDBL	FE400		MT051-3	
		H25A54QDBL	PFB400			
		H26A54QDBL	PFB403			
		H27A54QDBL				
		H28A543DBL				
		H29A503DBL				
	CRT5-0450-TF5	H23A563DBL	AG5553E			
		H23A56QDBL	AG5553H			
		H25A563DBL	AGA5553EXT			
		H25A56QDBL	AGB5553EXT			
		H26A56QDBL	AV5555E			
		H29A543DBL	AVA5555EXT			
			SF5554E			
			SF5554EXT			
			SFA5554EXT			

Three Phase

TONNAGE	CR6/5 Ton	BRISTOL	TECUMSEH	CARLYLE	DANFOSS	ZRK5/K3
4.5T	CR53KQ-TFD	H23A50QDBE	CL40ZA17		MT050-4	
		H23A543DBE	FE400		MT051-4	
		H23A54QDBE	PFB400			
		H25A54QDBE	PFB403			
		H26A54QDBE				
		H27A54QDBE				
		H28A543DBV				
		H29A503DBV				
	CRT5-0450-TFD	H23A563DBE	AG5553E			
		H23A56QDBE	AG5553F			
		H25A563DBE	AG5553H			
		H25A56QDBE	AGA5553EXG			
		H26A56QDBE	AGB5553EXG			
		H27A56QDBE	AGC5553EXG			
		H29A543DBV	AV5555E			
			AVA5555EXG			
		SF5554E				
		SFA5554EXG				
	CR53KQ-TFE					
	CRT5-0450-TFE	H23A543DBF			MT050-7	ZR54K5-TFE
		H23A563DBF				
		H25A54QDBF				
		H25A56QDBF				
		H26A54QDBF				
		H26A56QDBF				
		H27A54QDBF				
		H27A56QDBF				
		H28A543DBF				
H29A543DBF						

Code	Hz-Phase-Volts
PFV	60-1-208/230
PFJ	60-1-265
TF5	60-3-200/230
TFD	60-3-460
TFE	60-3-575

Single Phase

TONNAGE	CR6/5 Ton	BRISTOL	TECUMSEH	CARLYLE	DANFOSS	ZRK5/K3
5T	CRP5-0450-PFV	H23A583ABC	AG5561E			ZR57K3-PFV
		H24A583CBC	AV5558F			
		H27A56QCBC	AV5558G			
		H28A583CBC	AVB5558EXN			
		H29A563CBC	AVD5558EXN			
		H29A583CBC	SF5558E			
		T26A564BBC	SF5558EXD			
			SFA5558EXN			
	CRN5-0500-PFV	H22A623ABCA	AG5561H	P*60	MT064-1	ZR61K3-PFV
		H23A623ABC	AGA5561EXN	P*64		
		H23A62QABC	AGB5561EXN			
		H25A62QCBC	CL51ZH17			
		H26A62QCBC	CL5562E			
		H27A62QCBC	CL5562G			
		H29A623CBC	SF5560E			
			SF5560EXD			
			SFA5560EXN			

Code	Hz-Phase-Volts
PFV	60-1-208/230
PFJ	60-1-265
TF5	60-3-200/230
TFD	60-3-460
TFE	60-3-575

Three Phase

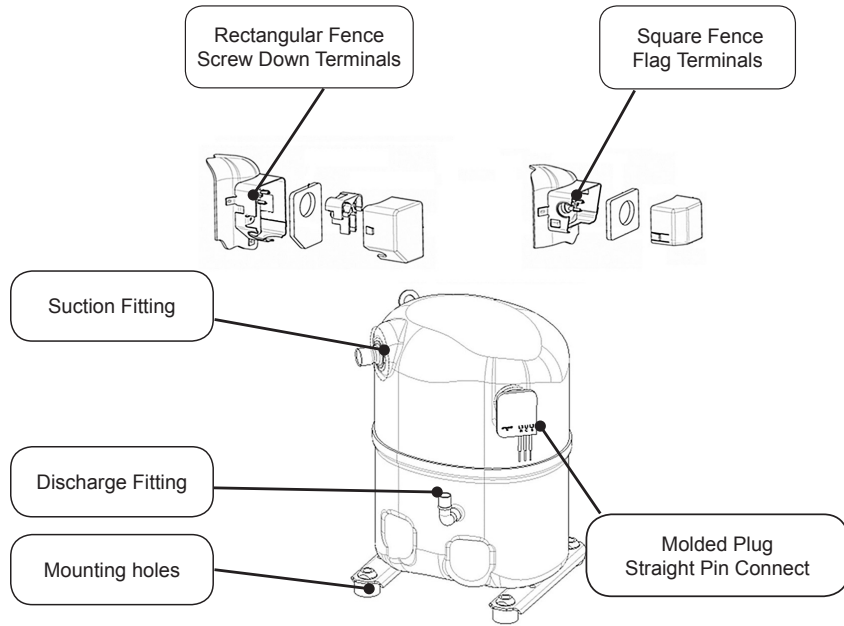
TONNAGE	CR6/5 Ton	BRISTOL	TECUMSEH	CARLYLE	DANFOSS	ZRK5/K3
5T	CRP5-0450-TF5	H23A62QDBL	AV5558F		MT056-3	ZR57K3-TF5
		H24A583DBL	AV5558G		MT057-3	
		H27A56QDBL	AVB5558EXT			
		H28A583DBL	AVD5558EXT			
		H29A563DBL	SF5558E			
		H29A583DBL	SF5558EXT			
			SFA5558EXT			
			TVA5558EXT			
	CRP5-0450-TFD	H23A583DBE	AV5558F		MT056-4	ZR57K3-TFD
		H23A62QDBE	AV5558G		MT057-4	
		H24A583DBE	AVB5558EXG			
		H28A583DBE	AVD5558EXG			
		H29A563DBV	SAA5558EXG			
		H29A583DBV	SF5558E			
			SFA5558EXG			
		TVA5558EXG				
	CRP5-0450-TFE	H28A583DBF	AVD5558EXH		MT056-7	ZR57K3-TFE
		H29A563DBF	AVG5558EXH			
		H29A583DBF	TVA5558EXH			

Three Phase

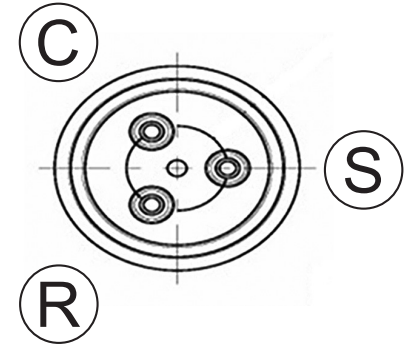
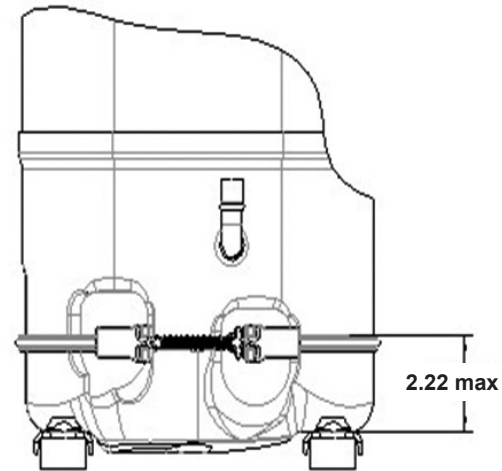
TONNAGE	CR6/5 Ton	BRISTOL	TECUMSEH	CARLYLE	DANFOSS	ZRK5/K3
5T	CRN5-0500-TF5	H23A623DBL	AG5561E		MT064-3	ZR61K3-TF5
		H25A62QDBL	AG5561H		MT065-3	
		H26A62QDBL	AGA5561EXT			
		H27A62QDBL	AGB5561EXT			
		H29A623DBL	CL51ZH17			
			CL5562E			
			CL5562G			
			SF5560E			
			SF5560EXT			
			SFA5560EXT			
	CRN5-0500-TFD	H23A623DBE	AG5561E		MT064-4	ZR61K3-TFD
		H25A62QDBE	AG5561F		MT065-4	
		H26A62QDBE	AG5561H			
		H27A62QDBE	AGA5561EXG			
		H29A623DBV	AGB5561EXG			
			AGC5561EXG			
			CL51ZH17			
			CL5562E			
			CL5562G			
			SAA5561EXG			
			SF5560E			
			SFA5560EXG			
	CRN5-0500-TFE	H23A623DBF				ZR61K3-TFE
		H25A62QDBF				
H26A62QDBF						
H27A62QDBF						
H29A623DBF						

Code	Hz-Phase-Volts
PFV	60-1-208/230
PFJ	60-1-265
TF5	60-3-200/230
TFD	60-3-460
TFE	60-3-575

Configuration Details



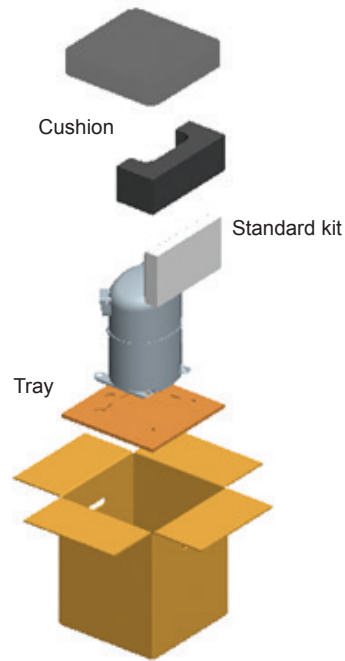
Crank Case Heater Mounting Location



Configuration Guide		PART NUMBERS			
Part Name	Description	CRK6	CR47KQ	CR53KQ	5 Ton
Bill of Material (BOM)	Service	875/879	970/979		
Fence	Round Fence	x			
	Square Fence		x		
	Rectangular Fence			x	x
Terminal	Straight Pin	x			
	Flag Terminals		x		
	Screw Down Terminals			x	x
Suction Tube	Straight 3/4" ID	x			
	Elbow Up 7/8" ID		x	x	x
Discharge Tube	Elbow Up 1/2" ID	x	x	x	x
Process Tube	None	x			
	Elbow Up 3/8" ID		x	x	x
Mounting Holes	7-1/2" X 7-1/2"	x	x	x	x

Copeland CR Service Compressor Protection Kit

Premium kit
(Copeland certified components)



875 & 970

Standard kit	
CR14-42K6	875
CR47/53KQ	970
CRN5/CRP5/CRT5	



879 & 979

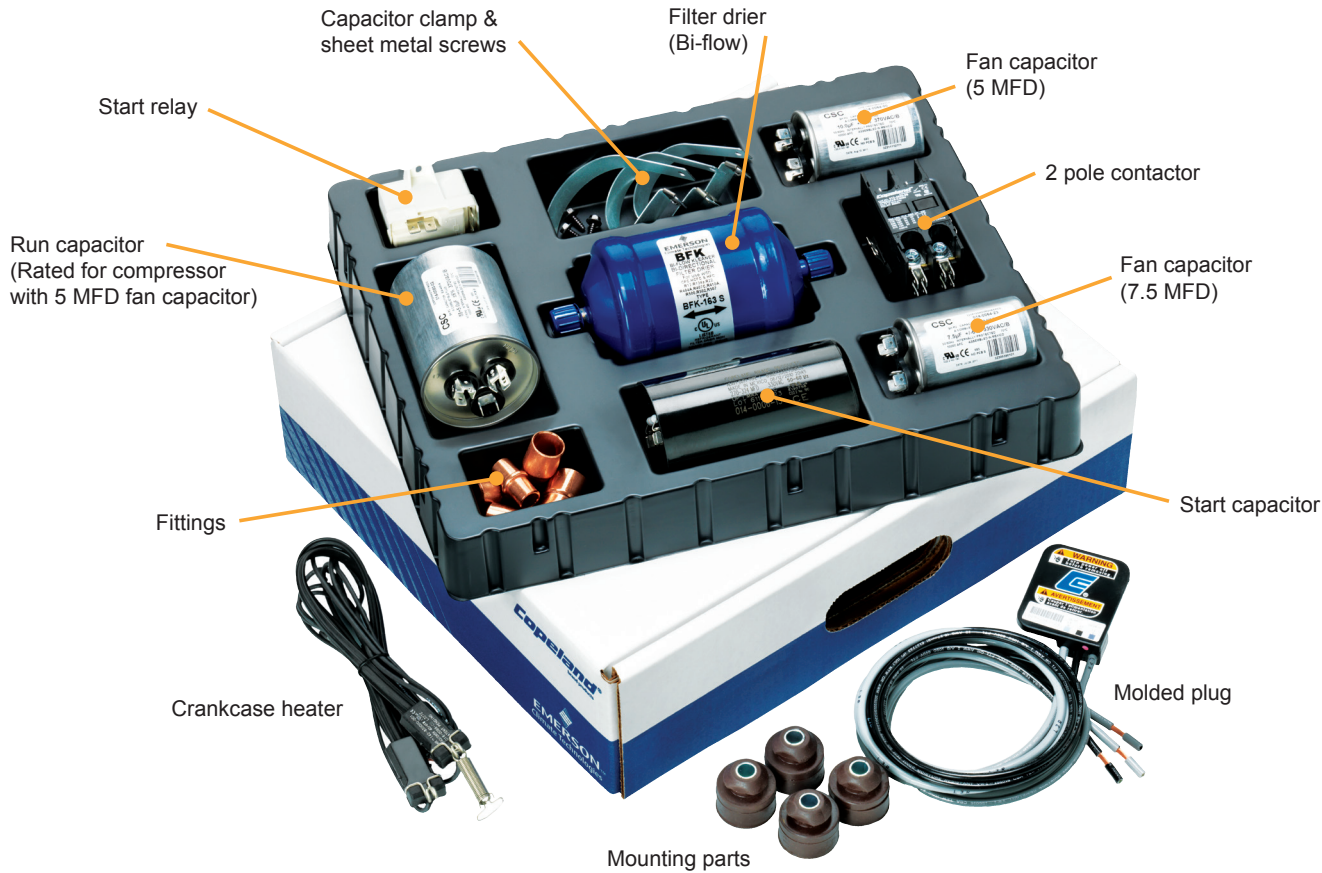
Premium kit	
CR24-42K6	879
CR47KQ	979
CRN5	



Bill of Material (BOM)	Bill of Material (BOM) Options			
	CRK6		CRKQ / 5 Ton	
	875	879	970	979
Molded plug			No	No
Mounting parts	Yes	Yes	Yes	Yes
Crank case heater			No	No
Fitting kit			No	No
Terminal kit		No	Yes	
Start capacitor	No	Yes	No	Yes
Capacitor clamp				
Run capacitor				
Potencial relay				
Filter drier				
Contactur				
Fan capacitors				
Label	Yes		Yes	
Tray			Yes	
Carton				

The "Bill of Material" chart located on the right side of the page, explains the current service kit options. These kits are defined by the last digit of the compressor nomenclature's Bill of Material (BOM).

Copeland CR Service Compressor Protection kit



Premium kit
(Copeland certified components)

Benefits

- Less time searching for the right part
- Fewer call backs with high quality Copeland certified parts
- Inventory reduction and consolidation
- Better product offering for maintenance agreements
- Enhanced reputation and professionalism

Code	Hz-Phase-Volts
PFV	60-1-208/230
PFJ	60-1-265
TF5	60-3-200/230
TFD	60-3-460
TFE	60-3-575

CR Service Compressor Kit Guide

Part Name	Description	Part Numbers						
		CRK6						
Bill of Material (BOM)		875			879			
Compressor Model		CR14-42K6-PFV/TF5	CR18-42K6-TFD/TFE	CR16-32K6-PFJ	CR24-30K6-PFV	CR35K6-PFV	CR38K6-PFV	CR42K6-PFV
Service Kit Part No.		568-2010-00*	568-2010-01*	568-2010-14*	568-2012-00*	568-2012-01*	568-2012-05*	568-2012-02*
Molded Plug	10 Gage	529-0060-24						
Mounting Parts	spacer	527-0044-08		527-0044-00	527-0044-08			
Poly Crank Case Heater	240 volts	018-0088-00		018-0088-00				
	480 volts		018-0088-01					
Fitting Kit		536-0177-00						
Terminal Kit	screw & washer							
Start Capacitor	see specs chart				014-0061-28	014-0006-13		
Start Clamp					032-0359-01	032-0359-02	032-0359-02	
Run Clamp						032-0359-01		
Run Capacitor	see specs chart				014-0080-00	014-0080-05	014-0080-06	
Potential Relay	see specs chart				040-0166-15		040-0166-19	040-0166-27
Filter Drier	Bi-Flow				013-0193-00			
Contactors	24 volts, 2 pole				012-2030-00			
Fan Capacitors	7.5 uf / 10 uf				014-0064-23/00			
CR Accessories Guide								
Molded Plug	14 Gage	529-0060-05						
Conduit Box	240 volts	018-0099-00		018-0099-00				
Crank Case Heater	480 volts		018-0099-01					
2 port Service valve kit	5/8" ID	998-0510-69						
Power Cable Conduit Kit		998-0529-04						
Rotalock Adaptors	Suction & Discharge	998-0334-00						
	Suction Only	998-0034-01						
Rotalock Adaptors With port	Suction Only	998-0034-40						

The "Bill of Material" chart explains the current service kit options.

These kits are defined by the last digit of the compressor nomenclature's Bill of Material (BOM).

* Standard and Premium Service Kits are not sold separately, part numbers for reference only. (Premium Service Kits - offered for selected models only.)

Code	Hz-Phase-Volts
PFV	60-1-208/230
PFJ	60-1-265
TF5	60-3-200/230
TFD	60-3-460
TFE	60-3-575

CR Service Compressor Kit Guide

Part Name	Description	Part Numbers							
		CR47KQ		CR53KQ		5 Ton		CR47KQ	5 Ton
Bill of Material (BOM)		970						979	
Compressor Model		CR47KQ-PFV/TF5	CR47KQ-TFD/TFE	CR53KQ-PFV/TF5	CR53KQ-TFD/TFE	CR*5-PFV/TF5	CR*5-TFD/TFE	CR47KQ-PFV	CRN5-0500-PFV
Service Kit Part No.		568-2010-02*	568-2010-03*	568-2010-04*	568-2010-05*	568-2010-06*	568-2010-07*	568-2012-03*	568-2012-04*
Mounting Parts	spacer	527-0044-08		527-0044-00		527-0116-00		527-0044-08	527-0116-00
Poly Crank Case Heater	240 volts	018-0088-00		018-0088-00		018-0088-04		018-0088-00	018-0088-04
	480 volts		018-0088-01		018-0088-01		018-0088-05		
Fitting Kit									
Terminal Kit	screw & washer	521-0192-00							
Start Capacitor	see specs chart							014-0006-13	014-0006-15
Start Clamp								032-0359-02	
Run Clamp									
Run Capacitor	see specs chart							014-0080-07	014-0080-08
Potential Relay	see specs chart							040-0166-18	040-0166-27
Filter Drier	Bi-Flow							013-0193-00	
Contactors	24 volts, 2 pole							012-2040-00	
Fan Capacitors	7.5 uf / 10 uf							014-0064-23/00	
CR Accessories Guide									
Molded Plug	10 Gage							529-0060-24	
	14 Gage							529-0060-05	
Conduit Box	240 volts	018-0099-00		018-0099-00		018-0101-00		018-0099-00	018-0101-00
Crank Case Heater	480 volts		018-0099-01		018-0099-01		018-0101-01		
2 port Service valve kit	7/8" ID	998-0510-90							
Power Cable Conduit Kit		998-0529-04							
Rotalock Adaptors	Suction & Discharge	998-0334-01							
	Suction Only	998-0034-02							
Rotalock Adaptors With port	Suction Only	998-0034-40							

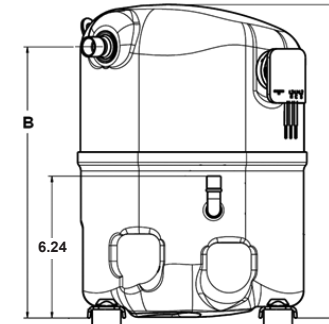
The "Bill of Material" chart explains the current service kit options.

These kits are defined by the last digit of the compressor nomenclature's Bill of Material (BOM).

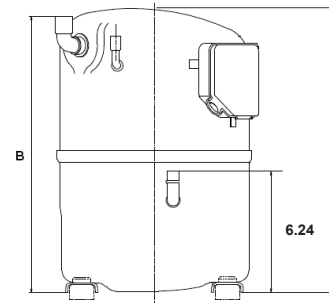
* Standard and Premium Service Kits are not sold separately, part numbers for reference only. (Premium Service Kits - offered for selected models only.)

Copeland™ CR Service Compressor Specification Chart

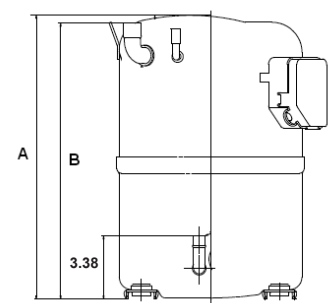
Model	ARI Capacity Btu/hr	RLA Amps (TF5/TFD)	Run Cap MFD / Volts	Low Torque Start Cap.* (Low-High / Volts)	High Torque Start Cap.* (Low-High / Volts)	Relay P/N	Start Kit	Height Inches (A)	Suction Height Inches (B)	Weight Lbs.
CR14K6-PFV	14450	6.9	35/370	43-52/330	145-175/250	040-0166-15	514-2000-21	13.05	11.2	64
CR16K6-PFV	16300	9.6	25/370	43-52/330	189-227/220	040-0166-15	514-2000-16	13.19	11.26	61
CR16K6-PFJ	16300	9	25/370	43-52/250	88-106/330	040-0166-15	514-2000-15	13.19	11.26	61
CR18K6-PFV	18000	10.4	25/370	43-52/330	145-175/250	040-0166-15	514-2000-16	13.19	11.26	61
CR18K6-PFJ	18000	9.1	25/440	43-52/250	88-106/330	040-0166-15	514-2000-17	13.19	11.26	61
CR18K6-TF5	17600	6.1	N/A	N/A	N/A	N/A	N/A	13.19	11.26	61
CR18K6-TFD	17700	3.07	N/A	N/A	N/A	N/A	N/A	13.19	11.26	61
CR20K6-PFV	19600	10.7	30/370	43-52/330	145-175/220	040-0166-19	514-2000-18	13.19	11.26	61
CR22K6-PFV	22100	10.9	30/370	43-52/330	145-175/220	040-0166-19	514-2000-18	13.19	11.26	61
CR22K6-PFJ	22100	9.9	30/440	43-52/330	130-156/330	040-0166-15	514-2000-19	13.19	11.26	62
CR22K6-TF5/D	22000	7.5/3.9	N/A	N/A	N/A	N/A	N/A	13.31	11.38	59
CR24K6-PFV	24500	12.4	35/370	43-52/330	145-175/250	040-0166-15	514-2000-21	13.44	11.51	63
CR24K6-PFJ	24500	10.9	35/440	64-77/250	108-130/250	040-0166-19	514-2000-20	13.44	11.51	63
CR24K6-TF5/D	24000	7.7/4	N/A	N/A	N/A	N/A	N/A	13.44	11.51	60
CR28K6-PFV	28200	15.3	35/370	43-52/330	145-175/220	040-0166-19	514-2000-25	13.56	11.63	64
CR28K6-PFJ	28200	13.9	35/440	64-77/330	130-156/250	040-0166-15	514-2000-24	13.56	11.63	64
CR28K6-TF5/D	28100	10/4.8	N/A	N/A	N/A	N/A	N/A	13.56	11.63	61
CR30K6-PFV	30000	16	35/370	43-52/330	145-175/250	040-0166-15	514-2000-21	13.81	11.88	66
CR30K6-PFJ	30000	13.6	40/440	43-52/330	145-175/250	040-0166-15	514-2000-27	13.81	11.88	66
CR30K6-TF5/D	29800	10.4/4.9	N/A	N/A	N/A	N/A	N/A	13.81	11.88	63
CR32K6-PFV	32000	16.1	35/440	43-52/330	145-175/250	040-0166-14	514-2000-29	13.81	11.88	66
CR32K6-PFJ	32000	15	35/440	43-52/330	145-175/250	040-0166-14	514-2000-29	13.81	11.88	66
CR32K6-TF5/D	31900	10/5.1	N/A	N/A	N/A	N/A	N/A	13.81	11.88	63
CR32K6-TFE	31900	3.8	N/A	N/A	N/A	N/A	N/A	13.81	11.88	63
CR34K6-PFV	34500	16.6	50/370	64-77/330	189-227/330	040-0166-15	514-2000-31	14.06	12.13	67
CR35K6-PFV	35000	18	40/370	64-77/330	189-227/330	040-0166-15	514-2000-32	14.06	12.13	67
CR35K6-TF5/D	34900	11.4/4.8	N/A	N/A	N/A	N/A	N/A	14.06	12.13	65
CR35K6-TFE	34900	4.1	N/A	N/A	N/A	N/A	N/A	14.06	12.13	65
CR38K6-PFV	38200	19	40/440	72-86/330	189-227/330	040-0166-19	514-2000-47	14.31	12.38	70
CR38K6-TF5/D	37900	11.9/5.9	N/A	N/A	N/A	N/A	N/A	14.31	12.38	67
CR38K6-TFE	37900	4.8	N/A	N/A	N/A	N/A	N/A	14.31	12.38	67
CR42K6-PFV	41900	20.4	40/440	64-77/330	189-227/330	040-0166-27	514-2000-35	14.56	12.63	74
CR42K6-TF5/D	41700	14/6.4	N/A	N/A	N/A	N/A	N/A	14.56	12.63	69
CR42K6-TFE	41700	5.2	N/A	N/A	N/A	N/A	N/A	14.56	12.63	69
CR47KQ-PFV	47500	24.6	45/440	64-77/330	189-227/330	040-0166-18	514-2000-12	14.81	14.68	77
CR47KQ-TF5/D	47200	16/8.2	N/A	N/A	N/A	N/A	N/A	14.81	14.68	77
CR47KQ-TFE	pending	pending	N/A	N/A	N/A	N/A	N/A	pending	pending	pending
CR53KQ-PFV	53300	29	60/440	64-77/330	189-227/330	040-0166-18	514-2000-13	14.81	14.68	77
CR53KQ-TF5/D	53200	18/9.1	N/A	N/A	N/A	N/A	N/A	14.81	14.68	77
CR53KQ-TFE	pending	pending	N/A	N/A	N/A	N/A	N/A	pending	pending	pending
CRT5-0450-PFV	54100	30.7	45/440	64-77/330	189-227/330	040-0166-27	514-2000-14	15.88	15.5	84
CRP5-0450-PFV	58400	30.7	45/440	64-77/330	189-227/330	040-0166-27	514-2000-14	15.88	15.5	87
CRT5-0450-TF5/D	54800	19.6/10.4	N/A	N/A	N/A	N/A	N/A	15.88	15.5	84
CRT5-0450-TFE	54800	7	N/A	N/A	N/A	N/A	N/A	15.88	15.5	84
CRP5-0450-TF5/D	57000	19.6/10.4	N/A	N/A	N/A	N/A	N/A	15.88	15.5	82
CRP5-0450-TFE	57000	7	N/A	N/A	N/A	N/A	N/A	15.88	15.5	84
CRN5-0500-PFV	60600	34.7	55/440	108-130/330	270-324/330	040-0166-27	514-2000-44	16.12	15.68	91
CRN5-0500-TF5/D	61300	21.4/9.6	N/A	N/A	N/A	N/A	N/A	16.12	15.68	90
CRN5-0500-TFE	61300	7.9	N/A	N/A	N/A	N/A	N/A	16.12	15.68	91



Notes CRK6
 Mounting pattern 7.5"x 7.5"
 Length 10.22" by width 9.65"
 Suction diameter 3/4" straight
 Add 0.28" to height if grommets included
 Discharge height is 6.24"



Notes Large CRKQ
 Mounting pattern 7.5"x 7.5"
 Length 10.62" by width 9.23"
 Suction diameter 7/8" elbow up
 Add 0.28" to height if grommets included
 Discharge height is 6.24"



Notes 5 Ton
 Mounting pattern 7.5"x 7.5"
 Length 11.38" by width 9.38"
 Suction diameter 7/8" elbow up
 Add 0.28" to Height if grommets included
 Discharge height is 3.38"

*Low vs High Torque Start Capacitors: Due to differences in OEM system applications, compressors could originally be installed with either start capacitor options listed. When choosing a replacement start capacitor, please select the new replacement capacitor from the "High Torque Start Capacitor" column.