

For Heating and Cooling Systems

Job Name _____ Contractor _____
 Job Location _____ Approval _____
 Engineer _____ Contractor's P.O. No. _____
 Approval _____ Representative _____

Series ETA

ASME

Pressurized Expansion Tanks for Heating and Cooling Systems

Models ETA 15 to ETA 240

Watts Model ETA Tanks are ASME fixed bladder type pre-charged expansion tanks. They are designed to absorb the expansion forces and control the pressure in heating & cooling systems. The water is contained in the heavy duty bladder preventing tank corrosion and waterlogging problems.



FEATURES

- ASME Section VIII Construction
- Heavy Duty Butyl Bladder
- Precharged to 12 psi (Field Adjustable)

CONSTRUCTION

Shell: Carbon steel
Bladder: Heavy duty butyl
 Prime painted exterior

PRESSURE - TEMPERATURE

Maximum Design Pressure:
 ETA 15 through ETA 60: 150 psi (10 bars)
 ETA 80 through ETA 240: 125 psi (8.5 bars)
 Precharged to 12 psi (83 kPa)
Maximum Design Temperature: 240°F (115°C)

SPECIFICATIONS

Furnish and install as shown on plans a Watts Model ETA _____ gallon _____ " diameter x _____" (high) pre-charged steel expansion tank with a fixed butyl bladder. The tank shall have a top NPT system connection and a .302" - 32 charging valve connection (standard tire valve) to facilitate the on-site charging of the tank to meet system requirements. The tank must be constructed in accordance with Section VIII of the ASME Boiler and Pressure Vessel Code.

Schedule

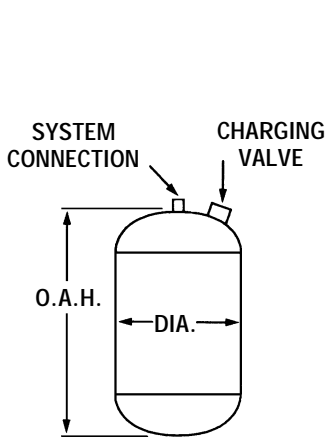
Model Number	Tank Volume Gallons	Acceptance Volume Gallons	Tagging Information	Quantity
ETA 15	7.8	2.5		
ETA 20	10.9	2.5		
ETA 40	25	10		
ETA 60	35	10		
ETA 80	45	21		
ETA 100	60	21		
ETA 120	70	48		
ETA 144	80	48		
ETA 180	90	48		
ETA 200	115	48		
ETA 240	140	52		

Watts product specifications in U.S. customary units and metric are approximate and are provided for reference only. For precise measurements, please contact Watts Technical Service. Watts reserves the right to change or modify product design, construction, specifications, or materials without prior notice and without incurring any obligation to make such changes and modifications on Watts products previously or subsequently sold.

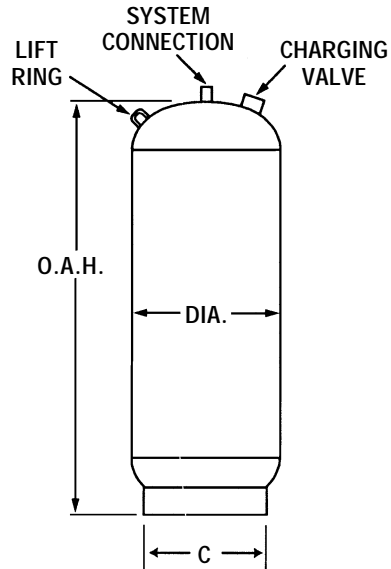


Water Products Division • Safety & Control Valves
 USA: 815 Chestnut Street, North Andover, MA 01845-6098
 Canada: 5435 North Service Road, Burlington, Ontario L7L 5H7

ASME EXPANSION TANKS - Pressurized



ETA 15 and ETA 20



ETA 40 through ETA 240

DIMENSIONS - WEIGHT

Model Number	System Connection DN		Max. Operating Pressure (PSIG)	Dimensions							
	in.	mm		Dia.		Height		C		Weight*	
				in.	mm	in.	mm	in.	mm	lbs.	kgs.
ETA 15	3/4	20	150	12	305	19	483	-	-	42	19
ETA 20	3/4	20	150	12	305	26	660	-	-	52	24
ETA 40	1	25	150	16	406	33	838	12	305	84	38
ETA 60	1	25	150	16	406	45	1143	12	305	97	44
ETA 80	1	25	125	20	508	38	968	18	457	148	67
ETA 100	1	25	125	20	508	49	1245	18	457	175	79
ETA 120	1 1/2	40	125	24	610	46	1168	22	559	259	117
ETA 144	1 1/2	40	125	24	610	49	1245	22	559	268	122
ETA 180	1 1/2	40	125	24	610	52	1321	22	559	283	128
ETA 200	1 1/2	40	125	24	610	66	1676	22	559	325	147
ETA 240	1 1/2	40	125	24	610	78	1981	22	559	362	164

Note: Tanks are factory pre-charged at 12 psi and field adjustable.

(*approximate)



USA: 815 Chestnut St., No. Andover, MA 01845-6098; www.wattsreg.com
 Canada: 5435 North Service Rd., Burlington, ONT. L7L 5H7; www.wattscda.com

