

## For Commercial, Industrial and Agricultural Applications

Job Name \_\_\_\_\_

Contractor \_\_\_\_\_

Job Location \_\_\_\_\_

Approval \_\_\_\_\_

Engineer \_\_\_\_\_

Contractor's P.O. No. \_\_\_\_\_

Approval \_\_\_\_\_

Representative \_\_\_\_\_

# Series 375, 500, 750, 1000, 1250, 1500 and 2000 Heavy Duty Mechanical Float Valves (with Threaded or Non-Threaded Outlets)

Sizes:  $\frac{3}{8}$ " to 2"

Series 375, 500, 750, 1000, 1250, 1500 and 2000 Heavy Duty Mechanical Float Valves are used in commercial, industrial, and agricultural applications for controlling high capacity water flow. This series is ideal for use in air conditioning, refrigeration, and irrigation systems. These connectors can be tank wall-mounted. All valves in the series have bronze body construction with machine flanges on the inlet side (sizes 1" to 2" have female NPT pipe threaded inlet connections), and male straight-pipe threaded for locknut on the outlet side. The connectors have serrated arms for easy adjustment of water level, bronze long and short arms, replaceable seals, and no-jam single lever action.

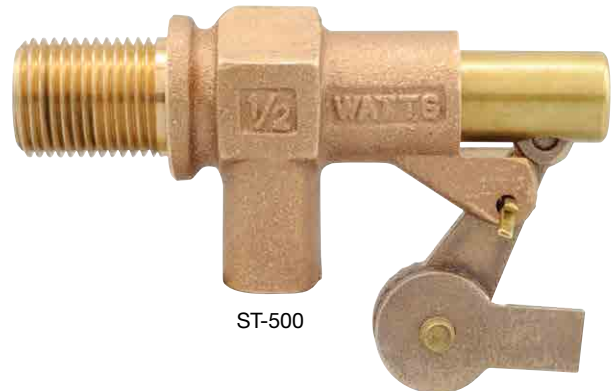
### Features

- Pipe-threaded for pipe connections and straight-pipe threaded for locknut
- Machined flange for support against tank wall
- All bronze bodies
- Serrated arms for quick easy adjustment of water level
- High tensile manganese bronze long and short arms
- No jam single lever action
- Replaceable seals

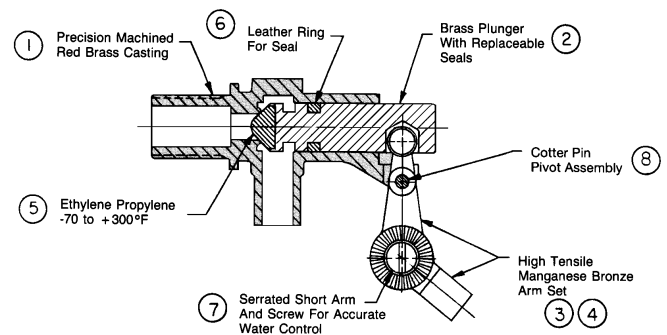
### Pressure

Maximum Working Pressure: 165psi (11.4 bar)

Maximum Working Temperature: 180°F (82°C)



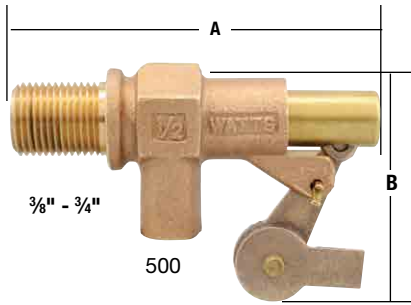
### Materials



ITEM	QTY.	DESCRIPTION	MATERIAL
1	1	Body	Bronze
2	1	Plunger	Brass
3	1	Long arm	Bronze
4	1	Short arm	Bronze
5	1	Plunger tip	Buna-N
6	1	Leather ring	-
7	1	Thumb screw	Brass
8	1	Cotter pin	Stainless Steel

### NOTICE

The information contained herein is not intended to replace the full product installation and safety information available or the experience of a trained product installer. You are required to thoroughly read all installation instructions and product safety information before beginning the installation of this product.

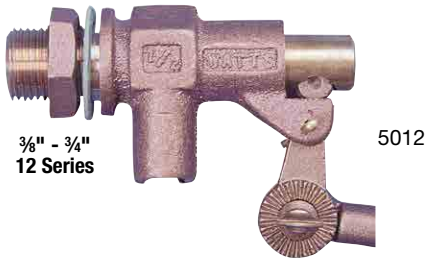


500

1000

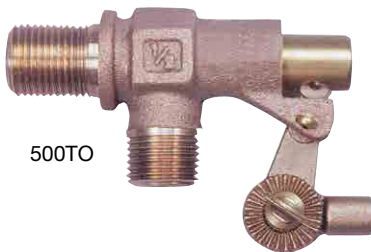


1" - 2"



5012

**Threaded Outlet**



500TO

**Flow Specifications**

SIZE	PRESSURE	FLOW	PRESSURE	FLOW
3/8"	50psi	14 gpm	100psi	21 gpm
1/2"	50psi	20 gpm	100psi	31 gpm
3/4"	50psi	40 gpm	100psi	60 gpm
1"	50psi	100 gpm	100psi	150 gpm
1 1/4" - 2"	50psi	250 gpm	100psi	348 gpm

**Models**

**Valve Assembly**

A high capacity valve that can be tank wall-mounted. Inlet side has 2 a machined flange 1"- 2" are also female NPT pipe threaded for inlet connection. All sizes have a male straight-pipe threaded for locknut. (See replacement parts for locknuts).

**Maximum Pressure - 165 psi • Maximum Temperature - 180°F**

PIPE SIZE	SERIES	STEM FITTING	DIMENSIONS		INNER PACK	MASTER PACK	WEIGHT EACH
			A	B			
3/8"	375	1/4-20	3"	1 1/4"	10	40	8.6
1/2"	500	1/4-20	3 1/2"	2"	10	40	11.3
3/4"	750	1/4-20	4"	2"	10	40	18.3

A high capacity valve that can be tank wall-mounted. Inlet side has a machined flange and is female NPT pipe threaded for inlet connection.

PIPE SIZE	SERIES	STEM FITTING	DIMENSIONS		INNER PACK	MASTER PACK	WEIGHT EACH
			A	B			
1"	1000	5/16-18	3"	4"	5	10	29.0
1"	1000-01	3/8-16	3"	4"	5	10	29.0
1 1/4"	1250	3/8-16	5 1/2"	4"	5	10	50.5
1 1/2"	1500	3/8-16	5 1/2"	4"	5	10	48.0
2"	2000	3/8-16	6"	4"	5	10	53.6

1000-1 same as 1000 except it has 3/8 - 16 threads in short arm.

**Valve Assembly with Locknut and Gasket (For Bulkhead Mount)**

A high capacity valve that can be tank wall-mounted. Inlet side has a machined flange and male straight-pipe threaded for locknut. (See replacement parts for locknuts).

PIPE SIZE	SERIES	STEM FITTING	DIMENSIONS		INNER PACK	MASTER PACK	WEIGHT EACH
			A	B			
3/8"	375-12	1/4-20	3"	1 1/4"	10	40	9.3
1/2"	500-12	1/4-20	3 1/2"	2"	10	40	12.0
3/4"	750-12	1/4-20	4"	2"	10	40	18.9

**Valve Assembly**

A high capacity valve with same inlet feature as standard valve, with MNPT thread on the outlet. Like the standard valves, this valve can be tank wall-mounted. (See replacement parts for locknuts.)

PIPE SIZE	SERIES	STEM FITTING	DIMENSIONS		INNER PACK	MASTER PACK	WEIGHT EACH
			A	B			
1/2"	500TO	1/4-20	3 1/2"	2"	10	40	12.0
3/4"	750TO	1/4-20	4"	2"	10	40	17.3

**Valve Assembly with Locknut and Gasket (For Bulkhead Mount)**

PIPE SIZE	SERIES	STEM FITTING	DIMENSIONS		INNER PACK	MASTER PACK	WEIGHT EACH
			A	B			
1/2"	500TO-12	1/4-20	3 1/2"	2"	10	40	13.0
3/4"	750TO-12	1/4-20	4"	2"	10	40	18.6

