



Formerly A. O. Smith Electrical Products Company

JuggerNaut® Motors 6028C



A Regal Brand

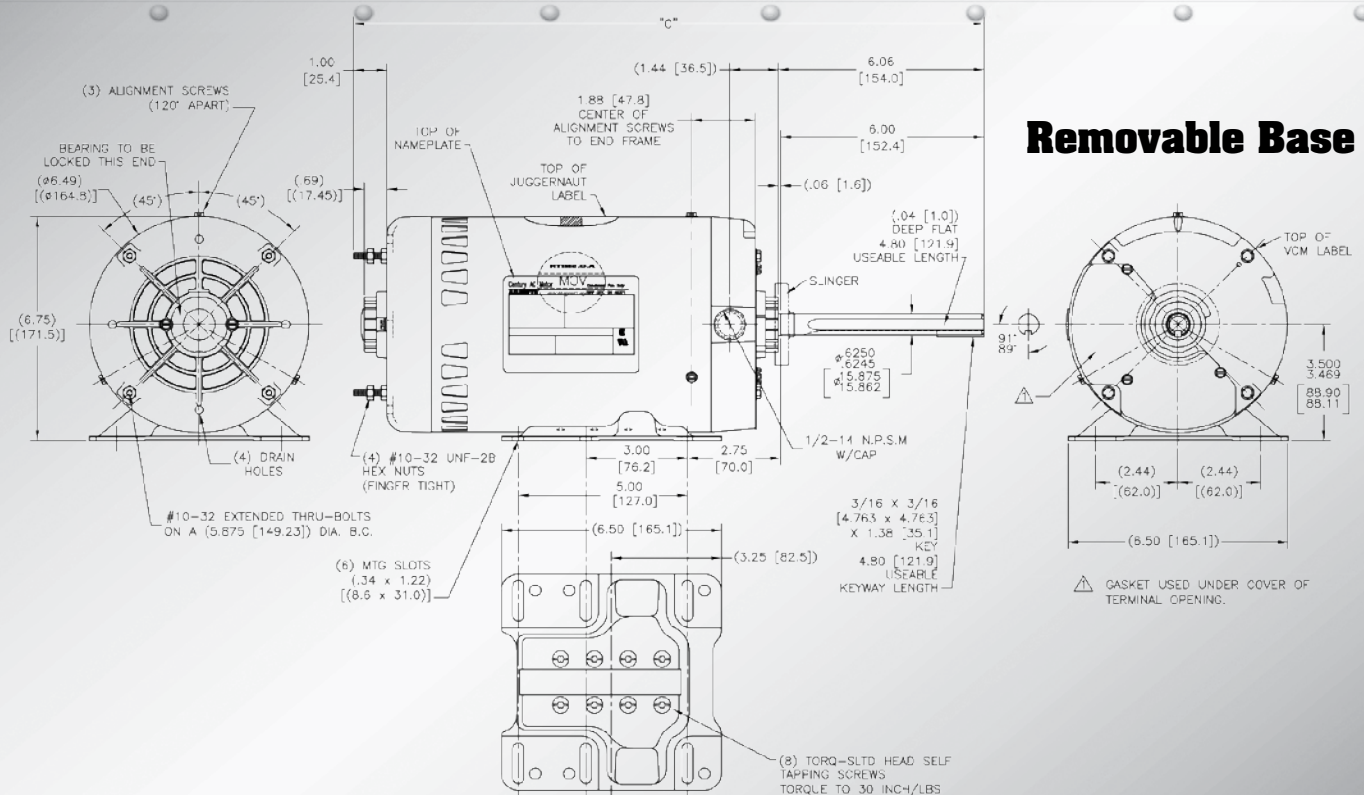
REGAL

Specifications:

- Inverter duty
- Removable 56H rigid base
- 70°C (158°) max ambient
- Class F moisture resistant insulation
- Automatic overload protector
- Large water slinger
- Double sealed ball bearings
- Positioning lugs for easy belly-band mounting
- Shaft up mounting
- Quick connect design
- Energy-efficient three phase design
- Conductive bearing grease for inverter applications
- 50/60 Hertz
- Three phase
- Continuous duty, air over

Class F Insulation - 70°C (158°F) Max Ambient - Removable Base

Stock No.	HP	Volts	Amps	RPM	Speeds	Frame Size	Rotation	Type	Bearings	"C" Dim.	Shaft	Wt. (lbs)
H1055A	1/2	460/200-230	1.3/2.8-2.6	1140	1	56HZ	Reversible	Three Phase	Ball	16.40	5/8" x 6.0"	27
H1056A	3/4	460/200-230	1.5/2.8-3.0	1140	1	56HZ	Reversible	Three Phase	Ball	16.51	5/8" x 6.0"	28
H1050A	1	460/208-230	2.2/4.4-4.0	1140	1	56HZ	Reversible	Three Phase	Ball	16.63	5/8" x 6.0"	29
H1051A	1 1/2	460/208-230	2.9/5.8-5.8	1140	1	56HZ	Reversible	Three Phase	Ball	17.63	5/8" x 6.0"	38
H1052A	2	460/208-230	3.7/7.4-7.0	1140	1	56HZ	Reversible	Three Phase	Ball	18.63	5/8" x 6.0"	45
H1053A	1	460/208-230	2.6/5.2-5.0	850	1	56HZ	Reversible	Three Phase	Ball	18.63	5/8" x 6.0"	45
H1054A	1 1/2	460/208-230	3.6/6.7-7.2	850	1	56HZ	Reversible	Three Phase	Ball	19.13	5/8" x 6.0"	50



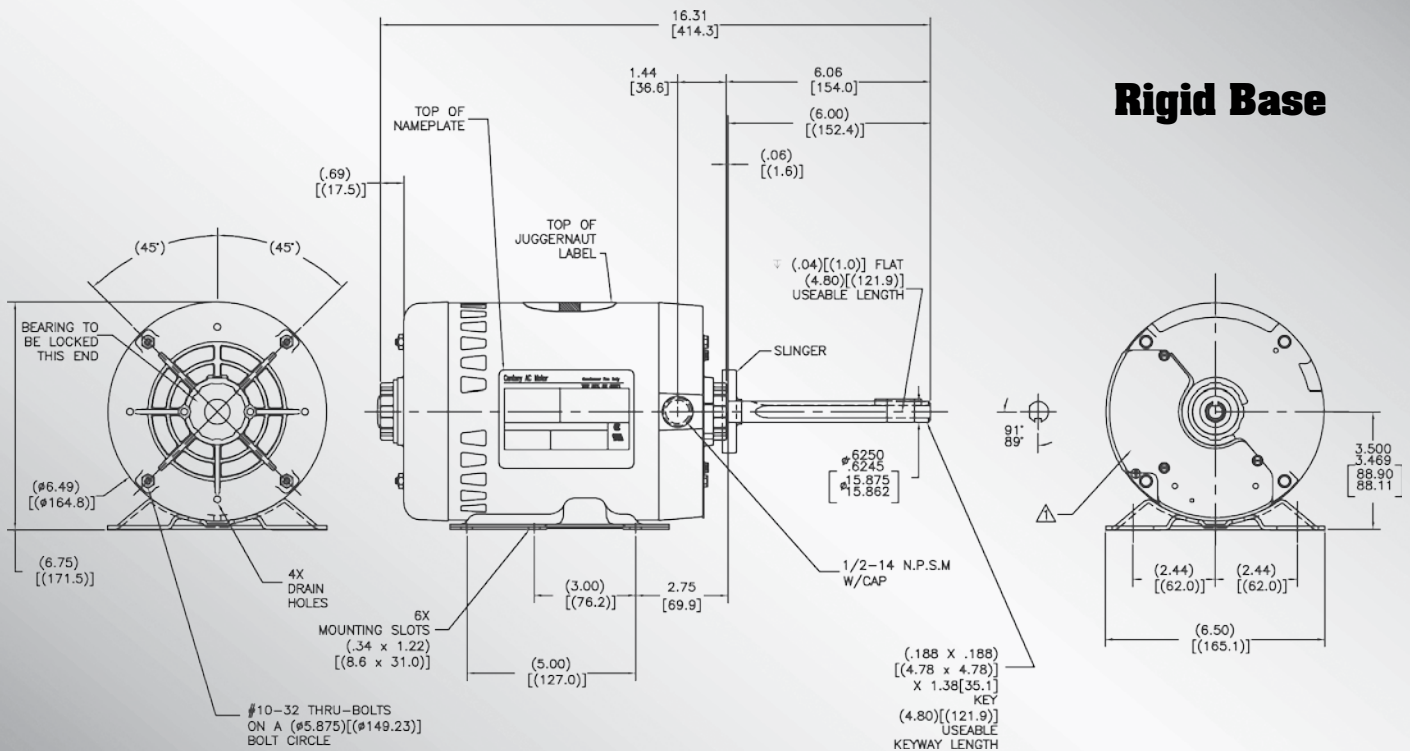
Specifications:

- Inverter duty
- 56H rigid base
- 70°C (158°) max ambient
- Class F moisture resistant insulation
- Automatic overload protector
- Large water slinger
- Double sealed ball bearings
- Positioning lugs for easy belly-band mounting
- Shaft up mounting
- Quick connect design
- Energy-efficient three phase design
- Conductive bearing grease for inverter applications
- 50/60 Hertz
- Three phase
- Continuous duty, air over

Class F Insulation - 70°C (158°F) Max Ambient - Rigid Base

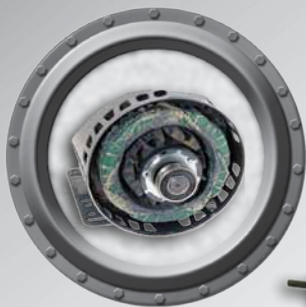
Stock No.	HP	Volts	Amps	RPM	Speeds	Frame Size	Rotation	Type	Bearings	"C" Dim.	Shaft	Wt. (lbs)
H1050RB	1	460/208-230	2.2/4.4-4.0	1140	1	56HZ	Reversible	Three Phase	Ball	16.31	5/8" x 6.0"	30
H1051RB	1 1/2	460/208-230	2.9/5.8-5.8	1140	1	56HZ	Reversible	Three Phase	Ball	17.31	5/8" x 6.0"	38
H1052RB	2	460/208-230	3.7/7.4-7.0	1140	1	56HZ	Reversible	Three Phase	Ball	18.31	5/8" x 6.0"	45
H1053RB	1	460/208-230	2.6/5.2-5.0	850	1	56HZ	Reversible	Three Phase	Ball	18.32	5/8" x 6.0"	43
H1054RB	1 1/2	460/208-230	3.6/6.7-7.2	850	1	56HZ	Reversible	Three Phase	Ball	18.82	5/8" x 6.0"	38

Note: It is the responsibility of the installer to properly adjust the drive to the motor for the specific application. The correct volts/Hz settings are application specific and unique to each motor. Failure to perform proper set up can lead to substandard performance and /or premature failure of the system components.



Features:

- **Inverter Duty:** Corona free with conductive bearing grease for reliable use with today's inverters.
- **70°C (158°F) Max Amb:** UL and CSA rated for 70°C (158°F) max ambient temperatures.
- **Class F Insulation:** UL and CSA approved, non-hygroscopic class F insulation system achieves superior dielectric strength for long thermal life.
- **Removable & Fixed Rigid Base:** Fixed or easy to remove 56H rigid base provides multiple mounting options.
- **Enclosed Shaft End:** Shaft up mounting.
- **Electrically Reversible:** Easy rotation change with quick connect terminal board.
- **High Temperature:** Automatic overload protector reduces nuisance trip outs.
- **Windings:** 100% copper windings and optimum winding design minimize losses resulting in higher efficiencies, increased motor life and lower operating cost.
- **Efficiency:** Conservationist™ energy efficient 3 phase designs.
- **Bearings:** Heavy duty, double sealed, anti-friction, high performance ball bearings for long reliable life. Bearing is locked on opposite shaft end.
- **Bearing Protection:** Large high temperature nylon glass filled shaft slinger keeps water and dirt out of the motor bearings.
- **Positioning Lugs:** Makes easy work of belly band mounting.
- **Rotor Coating:** Corrosion resistant coating on rotor core for longer motor life.
- **Drain Holes:** Allows quick draining of moisture build up.
- **Mounting Bolts:** Heavy duty #10-32 bolts with 1.0" extension.
- **Fasteners:** Extra mounting nuts are supplied to allow for quick installations.
- **High Torque:** Ultra-high-torque designs handle even the heaviest loads.
- **Approvals:** UL recognized and CSA certified.



Class F Insulation



Inverter Duty



Removable & Fixed Rigid Base



Green Choice®
Eco - Friendly Electric Motors



Cross Reference

Century	Emerson	Baldor
Belly Band		
H1050A	1818*/1818V	CFM3156A*
H1051A	1819*/1819V	CFM3166A*
H1052A	8987*/8987V	N/A
H1053A	1828*/1828	N/A
H1054A	N/A	N/A
H1055A	1817*	N/A
Rigid Base		
H1050A/H1050RB	1820*/1820V	N/A
H1051A/H1051RB	1821*/1821V	N/A
H1052A/H1052RB	1822*/1822V	N/A
H1053A/H1053RB	N/A	N/A
H1054A/H1054RB	N/A	N/A

*Not Inverter Duty



Now Available! Fax or Phone Your Order Today!

Your Authorized Distributor is:



Formerly A. O. Smith Electrical Products Company

Distribution Marketing
1325 Heil Quaker Blvd.
LaVergne, TN 37086
PH: 800-672-6495
FAX: 800-468-2062

www.centuryelectricmotor.com

A Regal Brand

REGAL