



Model - TTD

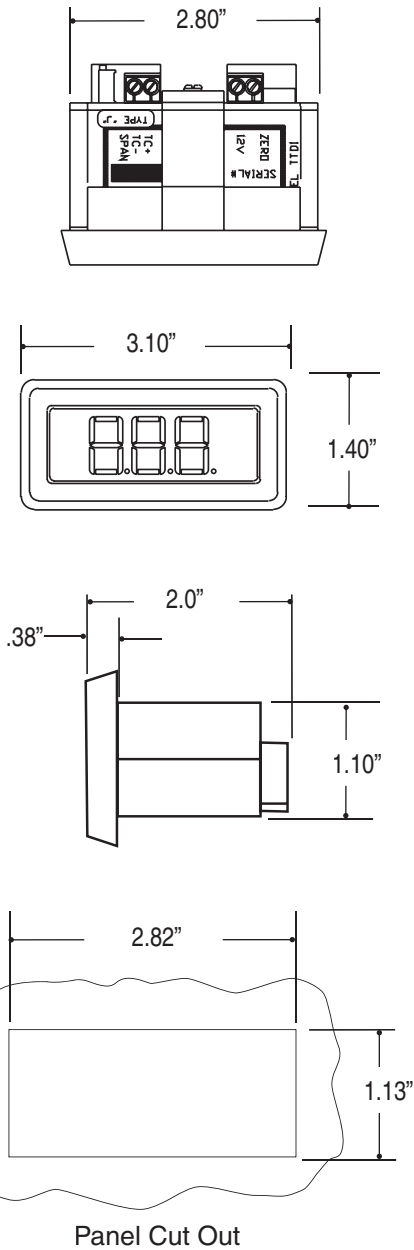
Antunes Controls' Series TTD is a compact, solid state digital temperature indicator. Unit reads temperatures from +50°F to 940°F (+10°C to 530°C) with a 1° resolution.

The entire unit is epoxy encapsulated making it watertight and very resistive to shock and vibration.

Features:

- Thermocouple Input (Type J or K)
- Accuracy 1% full Scale +/- LSD
- 3 Digit LED Display
- F & C Scaling
- Screw Terminal Connections
- Watertight Case
- Shock and Vibration Resistance

Dimensions:



Specifications:

Sensor: Thermocouple (Type J or K)

Note: Under grounded thermocouples are required when multiple controllers/indicators are used or if the transformer is grounded.

Accuracy: 1% Full Scale \pm 1 LSD

Ambient Operating Temperature: -30°F to 140°F
(-35°C to 60°C)

Ambient Storage Temperature: -40°F to 180°F
(-40°C to 82°C)

Power: 12 Vac/DC, 24 Vac, (115 Vac, 230 Vac with Remote Transformer)

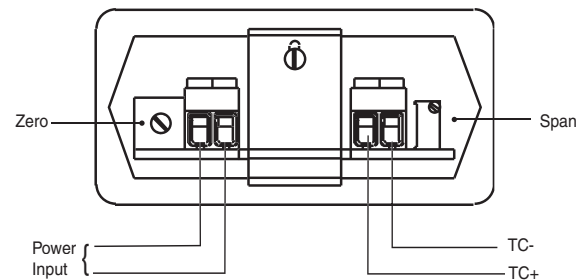
Package: Panel Mount
Epoxy Encapsulated

Display: 3 Digit LED (0.56" High)

Connections: Screw Terminal

Temperature Range: 50° - 940°F
(10° - 530°C)

Wiring Diagram



Limitation of Liability. If it is understood and agreed that seller's liability whether in contract, in tort, under any warranty, in negligence or otherwise, shall not exceed the return of the amount of the purchase price paid by purchaser and under no circumstances shall seller be liable for special, indirect or consequential damages. The price stated for the equipment is a consideration in limiting seller's liability. No action, regardless of form, arising out of the transactions may be brought by purchaser more than one year after the cause of action has accrued.