



www.Source1Parts.com

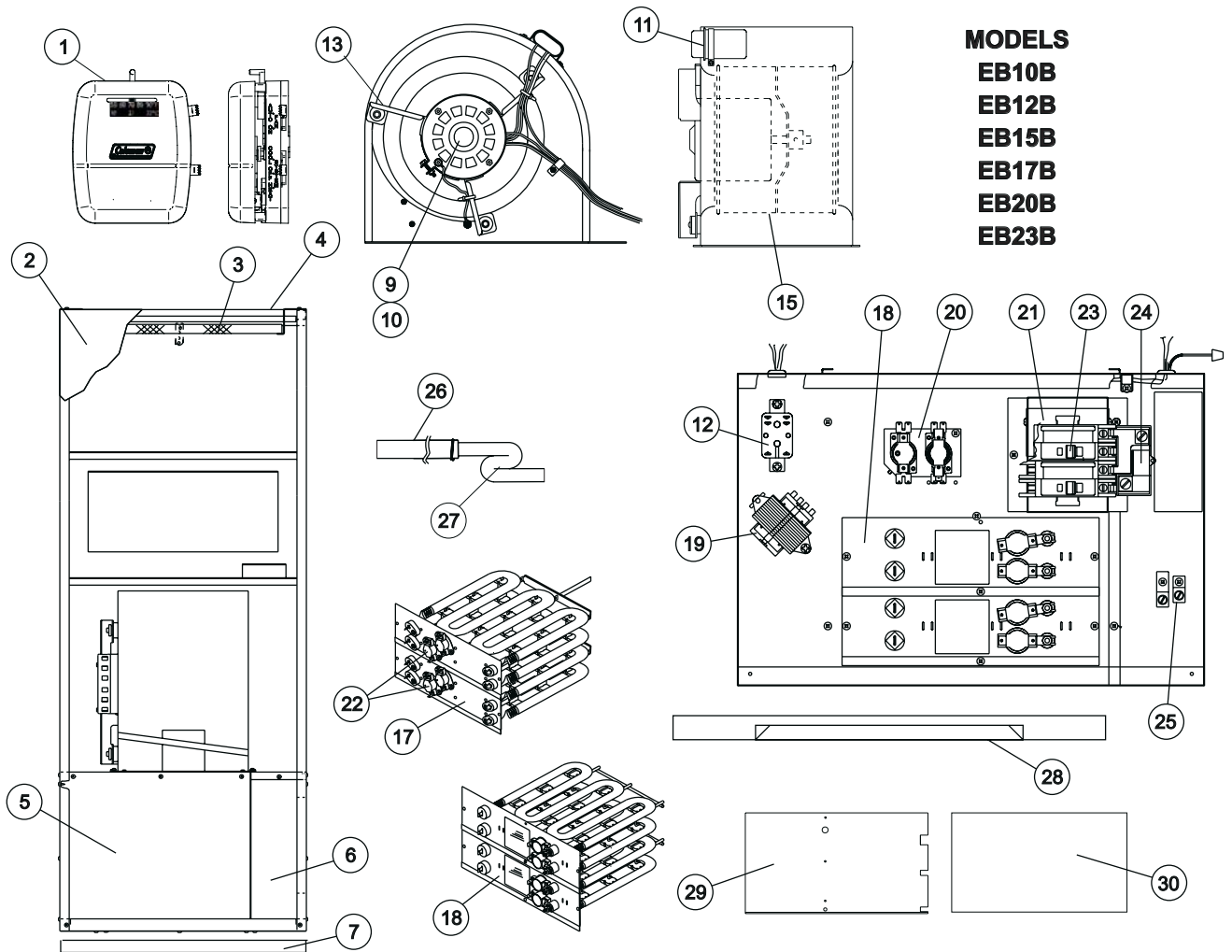
HVAC SERVICE PARTS

EB SERIES DOWNFLOW ELECTRIC FURNACE (STYLE B)

Supersedes:035-16317-002 Rev. H (0108)

035-16317-002 Rev. I (0308)

1 of 4



ITEM	DESCRIPTION	EB10B	EB12B	EB15B
1	Thermostat (Heat/Cool)	025-38746-000	025-38746-000	025-38746-000
2	Front Panel	3500-1751/B	3500-1751/B	3500-1751/B
	Front Panel (Front Return 4-Ton)	3500-1581	3500-1581	3500-1581
	Front Panel (Front Return 5-Ton)	3500-1591	3500-1591	3500-1591
3	Filter (16 x 20 x 1)	1214-2511	1214-2511	1214-2511
	Filter (20 x 20 x 1) (Front Return Panel)	1214-2521	1214-2521	1214-2521
4	Support Angle	3500-1861	3500-1861	3500-1861
5	Cover, Electric Box	3500-2351/A	3500-2361/A	3500-2361/A
6	Cover (Service Entrance)	3500-1271	3500-1271	3500-1271
7	Sub-base (Optional)	3500-1071/B	3500-1071/B	3500-1071/B
8*	Sub-base (M10) (Optional)	3500-5221	3500-5221	3500-5221
9	Blower Motor (For furnaces produced before 2/99)	1468-243P/A	1468-243P/A	1468-243P/A
10	Blower Motor (For furnaces produced after 2/99)	024-27651-000	024-27651-000	024-27651-000
11	Capacitor (7.5MFD/370V)	024-20045-000	024-20045-000	024-20045-000
12	Relay, Fan	3110-3301	3110-3301	3110-3301
13	Motor Mount Assembly (1PC) (Kit)	373-19831-001	373-19831-001	373-19831-001
14				
15	Blower Wheel	1472-2831	1472-2831	1472-2831
16*	Limit Baffle (For furnaces produced before 3/98)	3500-129	3500-101	3500-101
17	Heater Element (For furnaces produced before 3/98)	(9.6Kw) 3500-4101	(11.2Kw) 3500-4121	(4.8Kw) & (9.6Kw) 3500-4051 & 3500-4101
18	Heater Element Assembly w/Limit and Jumper Wire (See Note 3)	(9.6Kw) 3500-410P/A	(11.2Kw) 3500-412P/A	(4.8Kw) & (9.6Kw) 3500-405P/A & 3500-410P/A
19	Transformer (240/24V-40A)	3300-3861	3300-3861	3300-3861
20	Sequencer	3110-3571	3110-3571	3115-3571
21	Bracket (Circuit Breaker)	3500-128	3500-128	3500-128
22	Limit Switch (For furnaces produced from 3/98 to 12/00)	2 ea. 7142-3091 (Open 150, Close 110)	2 ea. 3500-3121 (Open 165, Close 105)	3 ea. 3500-3151/A (Open 155, Close 100)
	Limit Switch (For furnaces produced after 1/01.)	024-35596-000 (Open 150, Close 110)	024-35596-000 (Open 150, Close 110)	024-35596-000 (Open 150, Close 110)
23	Circuit Breaker (1 Req'd)	3500-377P/A	---	---
	Circuit Breaker (2 Req'd)	---	3500-377P/A	3500-377P/A
24	Buss Bar (See Note 2)	3500-378P	3500-378P	3500-378P
25	Ground Lug (Large)	1216-231	1216-231	1216-231
	Ground Lug (Small)	---	---	025-21798-000
26	Drain Tube (See Note 1)	029-22184-001	029-22184-001	029-22184-001
27	Condensate Trap (See Note 1)	3240-3051	3240-3051	3240-3051
28	Coil Shelf (See Note 1)	3500-174	3500-174	3500-174
29	Coil Shelf Panel (See Note 1)	3500-171	3500-171	3500-171
30	Insulation, Cover Panel (See Note 1)	010-69111-001	010-69111-001	010-69111-001
31*	See Page 4 Field Fix Kits			
32*				
33*				
34*				
35*	Wiring diagram	035-15274-001	035-15275-001	035-15276-001
36*	Fuse	025-32746-026	025-32746-026	025-32746-026
37*	Blower Housing	373-23744-001	373-23744-001	373-23744-001

NOTE: *Not Shown

New replacement parts shown in **bold** face type at the first printing of parts list dated 3/08.

Major components and suggested stocking items are shown with shaded item number.

"<" Across from row indicates a change in that row.

--- Not applicable to specified model.

All parts with three digit suffix numbers are "Special Order" parts. These parts are subject to factory availability and require extra time for delivery.

1 Not Standard with furnace, contained in accessory kit no. 3500-8941.

2 Standard on EB12B.

3 For furnaces manufactured after 3/98. Refer to installation instructions for furnaces manufactured before 3/98. These units do not require baffles.

ITEM	DESCRIPTION	EB17B	EB20B	EB23B
1	Thermostat (Heat/Cool)	025-38746-000	025-38746-000	025-38746-000
2	Front Panel	3500-1751/B	3500-1751/B	3500-1751/B
	Front Panel (Front Return 4-Ton)	3500-1581	3500-1581	3500-1581
	Front Panel (Front Return 5-Ton)	3500-1591	3500-1591	3500-1591
3	Filter (16 x 20 x 1)	1214-2511	1214-2511	1214-2511
	Filter (20 x 20 x 1) (Front Return Panel)	1214-2521	1214-2521	1214-2521
4	Support Angle	3500-1861	3500-1861	3500-1861
5	Cover, Electric Box	3500-2361/A	3500-2361/A	3500-2361/A
6	Cover (Service Entrance)	3500-1271	3500-1271	3500-1271
7	Sub-base (Optional)	3500-1071/B	3500-1071/B	3500-1071/B
8	Sub-base (M10) (Optional)	3500-5221	3500-5221	3500-5221
9	Blower Motor (For furnaces produced before 2/99)	1468-243P/A	1468-243P/A	1468-243P/A
10	Blower Motor (For furnaces produced after 2/99)	024-27651-000	024-27651-000	024-27651-000
11	Capacitor (7.5MFD/370V)	024-20045-000	024-20045-000	024-20045-000
12	Relay, Fan	3110-3301	3110-3301	3110-3301
13	Motor Mount Assembly (1PC) (Kit)	373-19831-001	373-19831-001	373-19831-001
14				
15	Blower Wheel	1472-2831	1472-2831	1472-2831
16	Limit Baffle (For furnaces produced before 3/98)	3500-129	3500-129	3500-129
17	Heater Element (For furnaces produced before 3/98)	(4.8Kw) & (11.2Kw) 3500-4051 & 3500-4121	2 Ea. (9.6Kw) 3500-4101	(10.4Kw) & (11.2Kw) 3500-4111 & 3500-4121
18	Heater Element Assembly w/Limit and Jumper Wire (See Note 3)	(5.6Kw) & (10.4Kw) 3500-406P/A & 3500-411P/A	2 Ea. (9.6Kw) 3500-410P/A	(10.4Kw) & (11.2Kw) 3500-411P/A & 3500-412P/A
19	Transformer (240/24V-40A)	3300-3861	3300-3861	3300-3861
20	Sequencer	3115-3571	3120A3571	3120A3571
21	Bracket (Circuit Breaker)	3500-128	3500-128	3500-128
22	Limit Switch (For furnaces produced from 3/98 to 12/00)	3 ea. 7142-3091 (Open 150, Close 110)	4 ea. 7142-3091 (Open 150, Close 110)	4 ea. 7142-3091 (Open 150, Close 110)
	Limit Switch (For furnaces produced after 1/01.)	024-35596-000 (Open 150, Close 110)	024-35596-000 (Open 150, Close 110)	024-35596-000 (Open 150, Close 110)
23	Circuit Breaker (2 Req'd) (See Note 2)	3500-377P/A	3500-377P/A	3500-377P/A
24	Buss Bar	3500-378P	3500-378P	3500-378P
25	Ground Lug (Large)	1216-231	1216-231	1216-231
	Ground Lug (Small)	025-21798-000	025-21798-000	025-21798-000
26	Drain Tube (See Note 1)	029-22184-001	029-22184-001	029-22184-001
27	Condensate Trap (See Note 1)	3240-3051	3240-3051	3240-3051
28	Coil Shelf (See Note 1)	3500-174	3500-174	3500-174
29	Coil Shelf Panel (See Note 1)	3500-171	3500-171	3500-171
30	Insulation, Cover Panel (See Note 1)	010-69111-001	010-69111-001	010-69111-001
31*	See Page 4 For Field Fix Kits			
32*				
33*				
348				
35*	Wiring diagram	035-15277-001	035-15278-001	035-15279-001
36*	Fuse	025-32746-026	025-32746-026	025-32746-026
37*	Blower Housing	373-23744-001	373-23744-001	373-23744-001

NOTE: *Not Shown

New replacement parts shown in **bold** face type at the first printing of parts list dated 3/08.

Major components and suggested stocking items are shown with shaded item number.

"<" Across from row indicates a change in that row.

--- Not applicable to specified model.

All parts with three digit suffix numbers are "Special Order" parts. These parts are subject to factory availability and require extra time for delivery.

1 Not Standard with furnace, contained in accessory kit no. 3500-8941.

2 Standard on EB12B.

3 For furnaces manufactured after 3/98. Refer to installation instructions for furnaces manufactured before 3/98. These units do not require baffles.

FIELD FIX KIT FOR EB12 (A&B) MANUFACTURED PRIOR TO AUGUST 1995		
FIELD FIX KT 3500-7121 CONTAINS:		
ITEM	DESCRIPTION	PART NO.
31*	1 Each Limit Baffle	3500-101
32*	2 Each Llimit Switch	3500-3121

FIELD FIX KIT FOR EB15 (A&B) MANUFACTURED PRIOR TO AUGUST 1995		
FIELD FIX KT 3500-7151 CONTAINS:		
ITEM	DESCRIPTION	PART NO.
33*	1 Each Limit Baffle	3500-101
34*	2 Each Llimit Switch	3500-3151/A

TO ORDER AUTHORIZED FACTORY REPLACEMENT PARTS - Contact your Source1 HVAC Parts Distributor or visit our website at www.Source1Parts.com for a Distributor and Dealer listing.