

Forsaire Direct-Vent Furnace

Model Numbers: 4007332, 4007732, 4007331, 4007731

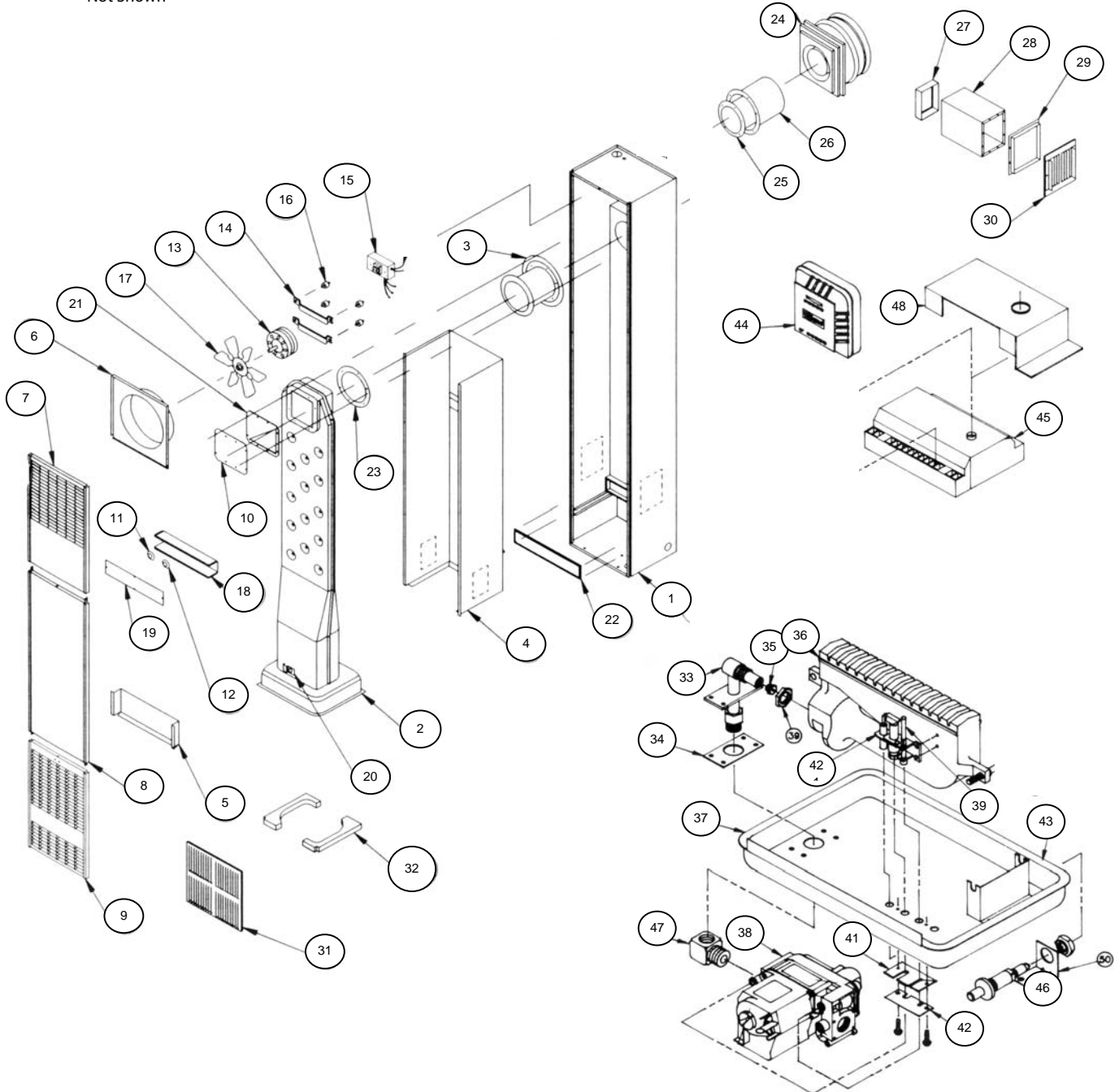
REF. NO.	DESCRIPTION	4007332	4007732	4007331	4007731
1	Outer Casing with Air Pan	11C42-2	11C42-2	11C42-2	11C42-2
2	Combustion Chamber	11C67	11C67	11C67	11C67
3	Element Tube	11C37	11C37	11C37	11C37
4	Inner Liner	11B46	11B46	11B46	11B46
5	Deflector Baffle Handle	11C63	11C63	11C63	11C63
6	Fan Shroud	11B86	11B86	11B86	11B86
7	Top Front Panel	11B102	11B102	11B102	11B102
8	Center Front Panel	11C62	11C62	11C62	11C62
9	Bottom Front Panel	11B103	11B103	11B103	11B103
10	Element Face Cover	11A103	11A103	11A103	11A103
11	Limit Switch	P200300	P200300	P200300	P200300
12	Fan Switch	P200200	P200200	P200200	P200200
13	Motor	P151101	P151101	P151101	P151101
14	Motor Support	7B46	7B46	7B46	7B46
15	Transformer	P024200	P024200	P024200	P024200
16	Vibration Isolators (Four Required)	P022800	P022800	P022800	P022800
17	Fan Blade	P200600	P200600	P200600	P200600
18	Switch Box	11B05	11B05	11B05	11B05
19	Switch Box Cover	11C68	11C68	11C68	11C68
20	Observation Door with P100100 Gasket	12B40	12B40	12B40	12B40
21	Element Face Gasket	P200900	P200900	P200900	P200900
22	Air Pan Tunnel Gasket	P151900	P151900	P151900	P151900
23	Seal Gasket	P103100	P103100	P103100	P103100
24	Vent Cap	9802			
25	Flue Extension				
26	Air Inlet Extension				
27	Inner Boot	6701			
28	Outer Boot				
29	Plaster Ground				
30	Side Casing Grille	6702			
31	Diffusing Grille, Two-Way	6703			
31	Diffusing Grille, One-Way	6704			
32	Gasket, Burner Pan (Two Required)	P321020	P321020	P321020	P321020
*	Owner's Manual	P321004	P321004	P321004	P321004
33	Manifold	11B135	11B135	11B135	11B135
34	Manifold Gasket	P151700	P151700	P151700	P151700
35	Burner Orifice	P090534	P090534	P090550	P090550
36	Burner	12B56	12B56	12B56	12B56
37	Burner Pan	11B133	11B133	11B133	11B133
38	Valve, Natural Gas	P323210	P323209	-----	-----
38	Valve, Propane Gas	-----	-----	P322044	P322042
39	Pilot, Propane Gas	-----	-----	P322680	P322680
39	Pilot, Natural Gas	P229300	P229300	-----	-----
40	Thermocouple	-----	P233100	-----	P233100
40	Flame Sensor	P271100	-----	P271100	-----
41	Pilot Tube Gasket	P151800	P151800	P151800	P151800
42	Pilot Tube Seal	11A41	11A41	11A41	11A41

Forsaire Direct-Vent Furnace

Model Numbers: 4007332, 4007732, 4007331, 4007731

REF. NO.	DESCRIPTION	4007332	4007732	4007331	4007731
43	Burner Gasket	P101600	P101600	P101600	P101600
44	Thermostat	P322017	P322017	P322017	P322017
45	Ignition Control Unit	P321910	----	P321910	----
46	Piezo Gas Lighter (Manual Spark Lighter)	----	P285500	----	P285500
47	Manifold Adapter	P321887	P321888	P321887	P321888
48	Ignition Shield	11B139	----	11B139	----
*	Ignition Control Wires	31B036	----	31B036	----

*Not Shown



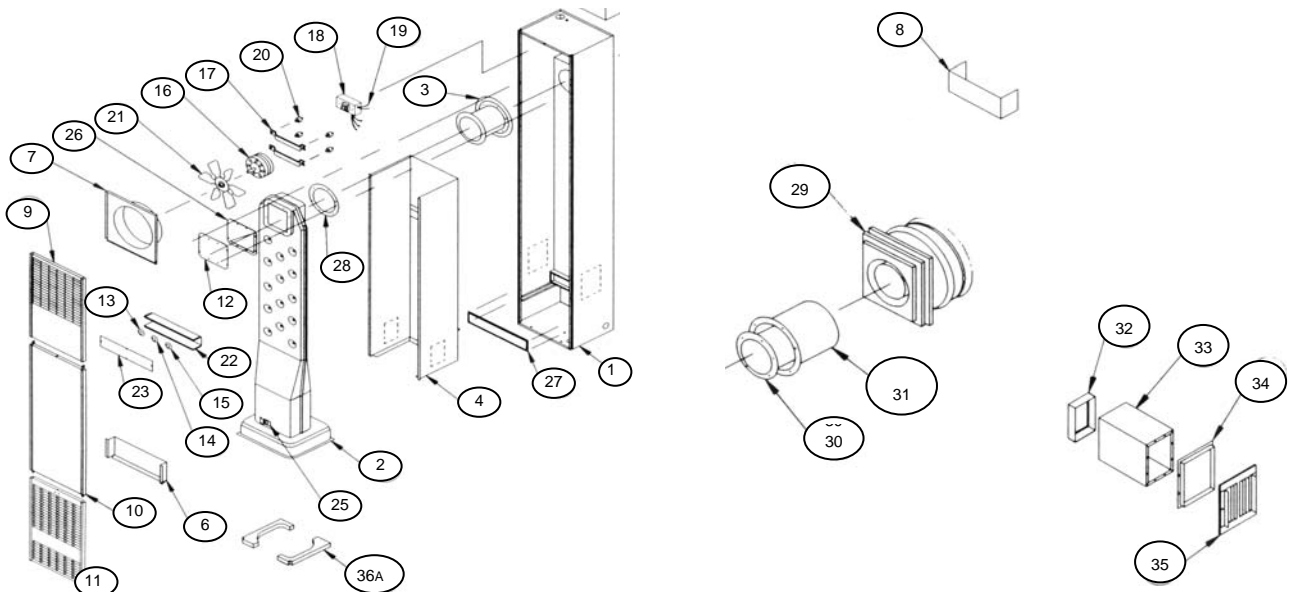
Forsaire Direct-Vent Furnace

Model Numbers: 5507331, 5507332

REF. NO.	PART NUMBER	DESCRIPTION
1	11C42-1	Outer Casing with Air Pan
2	11C66	Combustion Chamber
3	11C37	Element Tube
4	7B79	Inner Liner
6	11C63	Deflector Baffle Handle
7	11B86	Fan Shroud
8	11A40	Top Trim Cover
9	11B102	Top Front Panel
10	11C59	Center Front Panel
11	11B103	Bottom Front Panel
12	11A103	Element Face Cover
13	P296001	Limit Switch
14	P200400	Selector Switch
15	P200200	Fan Switch
16	P062101	Motor
17	7B46	Motor Support (Two Required)
18	P024200	Transformer
19	----	Internal Wires (Except Ignition Control Wires) +
20	P022800	Vibration Mounts (Four Required)
21	P200600	Fan Blade
22	11B05	Switch Box
23	11C68	Switch Box Cover
25	12B40	Observation Door with P100100 Gasket
26	P200900	Element Face Gasket
27	P151900	Air Pan Tunnel Gasket
28	P103100	Seal Gasket
29		Vent Cap
30	9802	Flue Extension
31		Air Inlet Extension
32		Inner Boot
33	6701	Outer Boot
34		Plaster Ground
35	6702	Side Casing Grille
36	6703	Diffusing Grille, Two Way
36	6704	Diffusing Grille, One Way
36A	P321020	Gasket, Burner Pan (Two Required)
*	P321004	Owner's Manual

*Not Shown

+Not Available Separately



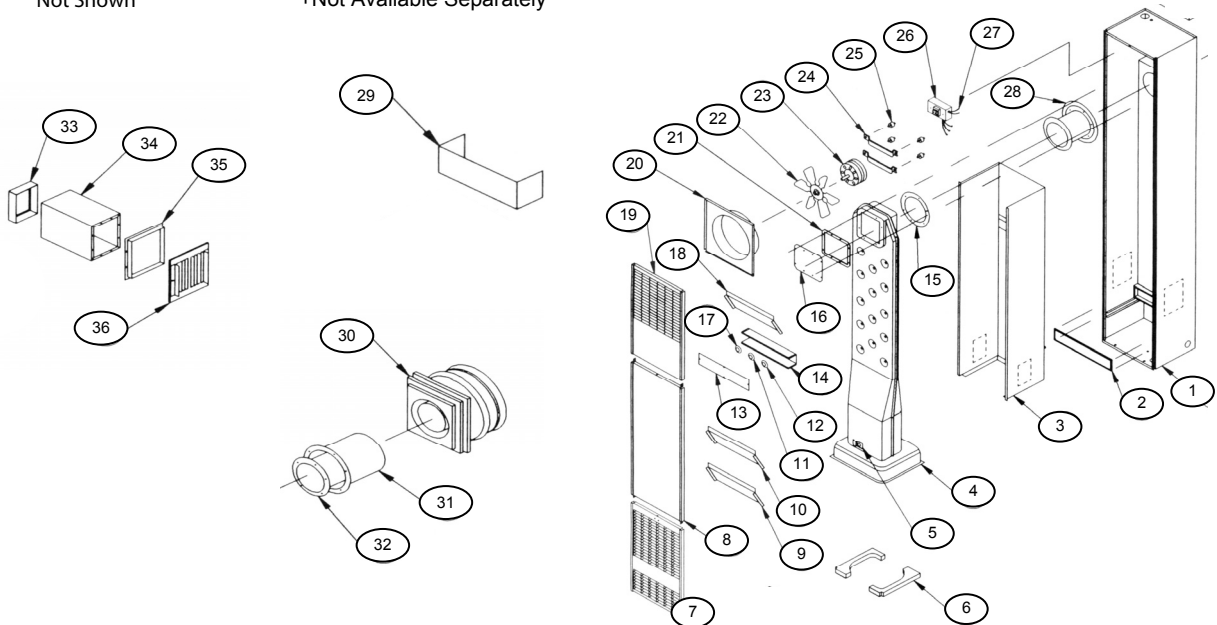
Forsaire Direct-Vent Furnace

Model Numbers: 6257731, 6257732

REF. NO.	PART NUMBER	DESCRIPTION
1	11C42-1	Outer Casing with Air Pan
2	P151900	Air Pan Tunnel Gasket
3	11B120	Inner Liner
4	11C66	Combustion Chamber
5	12B40	Observation Door with P100100 Gasket
6	P321020	Burner Pan Gasket (Two Required)
7	11B103	Bottom Front Panel
8	11C59	Center Front Panel
9	11B123	Bottom Air Deflector
10	11B119	Center Air Deflector
11	P200400	Selector Switch
12	P200200	Fan Switch
13	11C68	Switch Box Cover
14	11B05	Switch Box
15	P103100	Seal Gasket
16	11B116	Combustion Chamber Baffle
17	P321942	Limit Switch
18	11B119	Top Air Deflector
19	11B102	Top Front Panel
20	11B86	Fan Shroud
21	P304000	Combustion Chamber Face Gasket
22	P200600	Fan Blade
23	P321601	Motor
24	7B46	Motor Support (Two Required)
25	P022800	Vibration Isolators (Four Required)
26	P024200	Transformer
27	----	Internal Wires +
28	11C37	Element Tube
29	11A40	Top Trim Cover
30		Vent Cap
31	9802	Flue Extension
32		Air Inlet Extension
33		Inner Boot
34	6701	Outer Boot
35		Plaster Ground
36	6702	Side Casing Grille
37	6703	Diffusing Grille, Two Way
37A	6704	Diffusing Grille, One Way

*Not Shown

+Not Available Separately



Forsaire Direct-Vent Furnace

Model Numbers: 5507332, 6257732, 5507331, 6257731

REF. NO.	DESCRIPTION	5507332	6257732	5507331	6257731
37	Manifold	11B136	11B136	11B136	11B136
38	Manifold Gasket	P151700	P151700	P151700	P151700
39	Burner Orifice (Two Required)	P090542	P090539	P090554	P090553
40	Burner with Pilot Bracket	12B56	12B56	12B56	12B56
40	Burner without Pilot Bracket	12B57	12B57	12B57	12B57
41	Burner Pan	11B134	11B134	11B134	11B134
42	Valve, Natural Gas	-----	P322041	-----	-----
42	Valve, Propane Gas	-----	-----	-----	P322042
42	Valve, Natural Gas	P322043	-----	-----	-----
42	Valve, Propane Gas	-----	-----	P322044	-----
43	Pilot, Propane Gas	-----	-----	P322680	P322680
43	Pilot, Natural Gas	P229300	P229300	-----	-----
44	Thermocouple	-----	P233100	-----	P233100
44	Flame Sensor	P271100	-----	P271100	-----
45	Pilot Tube Gasket	P151800	P151800	P151800	P151800
46	Pilot Tube Seal	11A41	11A41	11A41	11A41
47	Gasket	P101600	P101600	P101600	P101600
48	Thermostat	P322017	P322017	P322017	P322017
49	Ignition Control Unit	P321900	-----	P321900	-----
50	Piezo Gas Lighter (Manual Spark Lighter)	-----	P285500	-----	P285500
51	Manifold Adapter	P321887	P321888	P321887	P321888
52	Ignition Shield	11B139	-----	11B139	-----

