



Model - TTC

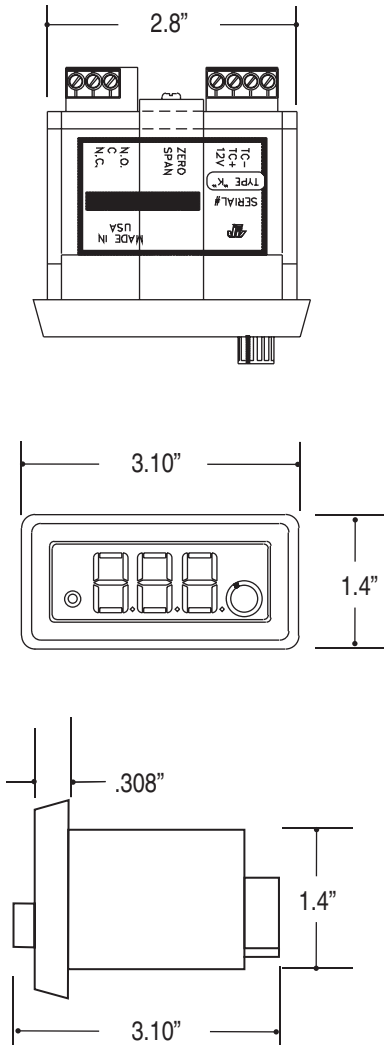
Antunes Controls' Series TTC is a compact, solid state temperature controller with digital display. Unit displays temperatures from +50°F to 940°F (+10°C to 530°C) with 1° resolution.

The entire unit is epoxy encapsulated making it watertight and very resistive to shock and vibration.

Features:

- Thermocouple Input (Type J or K)
- Accuracy 1% full Scale +/- LSD
- 3 Digit LED Display
- F & C Scaling
- Screw Terminal Connections
- Hysteresis 1 to 2° Typical, Can be Factory Preset to 10°
- Shock and Vibration Resistance

Dimensions:



Specifications:

Sensor: Thermocouple (Type J or K)

NOTE: Ungrounded thermocouples are required when multiple controllers/indicators are used or if the transformer is grounded.

Accuracy: 1% Full Scale \pm 1 LSD

Ambient Operating Temperature: -30°F to 140°F
(-35°C to 60°C)

Ambient Storage Temperature: -40°F to 180°F
(-40°C to 82°C)

Power: 12 Vac/DC (24 Vac, 115 Vac, 230 Vac with external transformer)

Package: Panel Mount Epoxy Encapsulated

Output: 10 A Relay, Standard (Resistive Load) or 12-16 VDC @ 30 mA

Control: On/Off

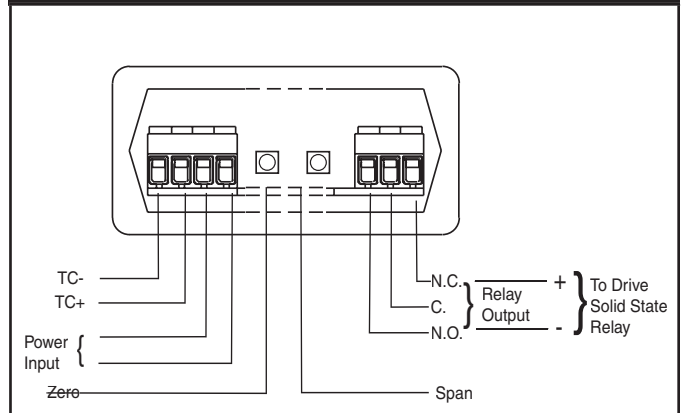
Display: 3 Digit LED (0.56" High)

Connections: Terminal - Screw Terminal

Hysteresis: Typically 1-2° unless offered otherwise

Temperature Range: 50° - 940°F
(10° - 530°C)

Wiring Diagram



Limitation of Liability. If it is understood and agreed that seller's liability whether in contract, in tort, under any warranty, in negligence or otherwise, shall not exceed the return of the amount of the purchase price paid by purchaser and under no circumstances shall seller be liable for special, indirect or consequential damages. The price stated for the equipment is a consideration in limiting seller's liability. No action, regardless of form, arising out of the transactions may be brought by purchaser more than one year after the cause of action has accrued.