

# Transducers

## General Industrial J-Box

## Series 423N1, 425N1, 426N1

### Features

- ▶ Diffused silicon sensor for high accuracy and reliability
- ▶ NEMA 4 J-Box for industrial use
- ▶ Field-adjustable zero and span output
- ▶ Stainless steel wetted parts
- ▶ Current and voltage signals

### Applications

- ▶ Oil pressure hydraulics
- ▶ Cranes
- ▶ Presses
- ▶ Gas metering
- ▶ Vacuum machinery packaging



### General Specifications\*

<b>Accuracy (LH &amp; R):</b>	±0.25% BSL
<b>Long Term Stability:</b>	±0.5% FSO of calibration curve
<b>Typical Life Cycle:</b>	100 million cycles
<b>Proof Pressure:</b>	2 times rated pressure or 13000 psi max. (884 bar), whichever is less.
<b>Input:</b>	
423N1:	Excitation voltage: 12 to 32 VDC
426N1:	Excitation voltage: 14 to 32 VDC
425N1:	Excitation voltage: 12 to 32 VDC
<b>Supply Current:</b>	15 mA maximum (no load)
<b>Output:</b>	
423N1:	Output: 0.5 to 5.5 VDC Full scale output: 5.0 VDC ± 0.8% Zero output: 0.5 VDC ± 0.4% Zero adjustment range: 0.2 to 0.8 VDC Span adjustment range: 4.7 to 5.3 VDC
426N1:	Output: 1 to 11 VDC Full scale output: 10 VDC ± 0.4% Zero output: 1 VDC ± 0.2 Zero adjustment range: 0.5 to 1.5 VDC Span adjustment range: 9.5 to 10.5 VDC
425N1:	Output: 4 to 20 mA Full scale output: 16 mA ± 0.4% Zero output: 4 mA ± 0.2% Zero Adjustment Range: 3.0 to 5.0 mA Span adjustment range: 15.0 to 17.0 mA

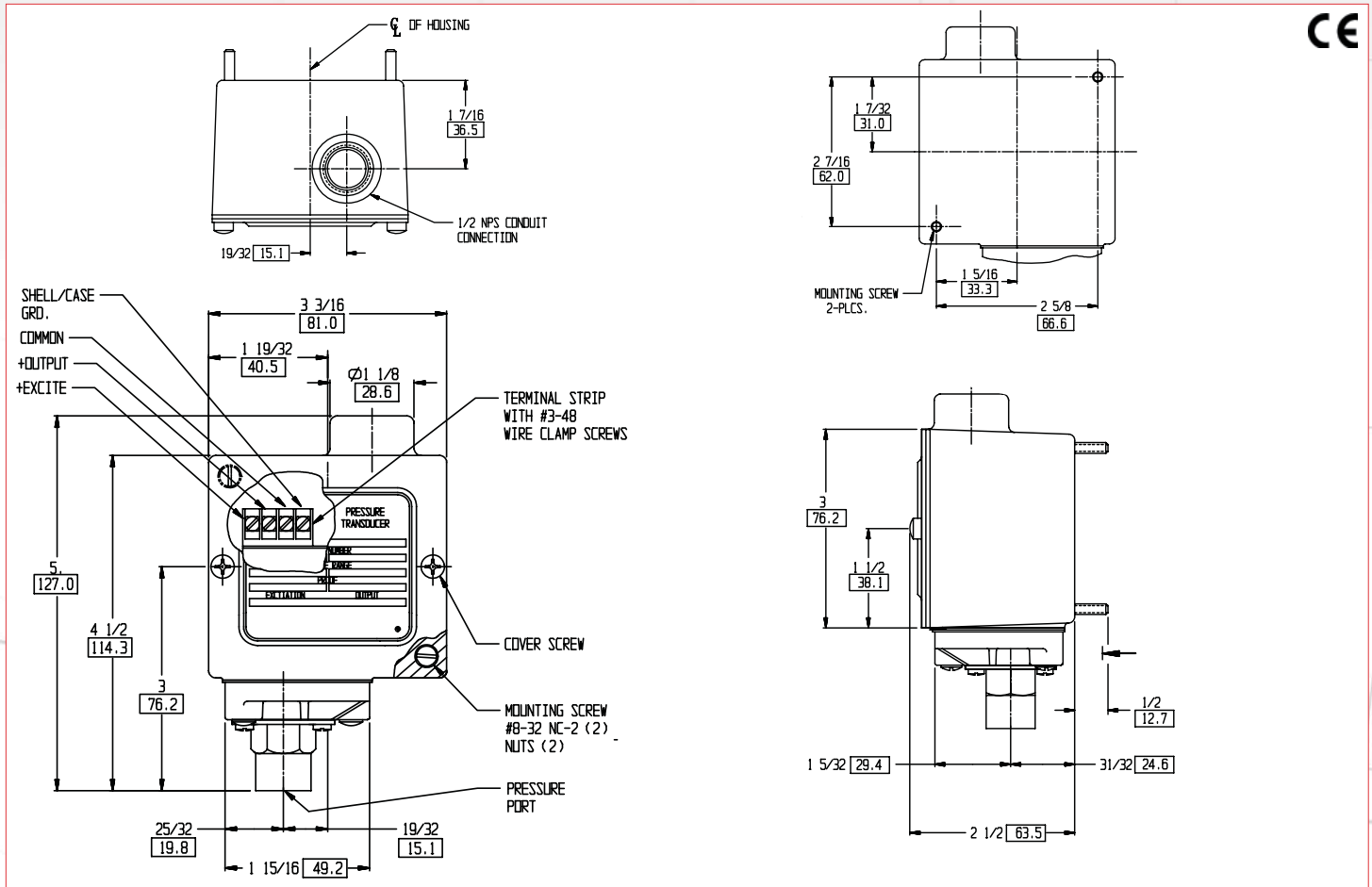
\* See product configurator for additional options.

<b>Wetted Parts:</b>	17-4 PH & 300 series stainless steel
<b>Enclosure:</b>	NEMA 4, anodized aluminum
<b>Pressure Connection:</b>	7/16-20 UNF female (standard)
<b>Electrical Connection:</b>	4-pole terminal strip and integral 1/2" NPT female conduit connection
<b>Temperature Ranges:</b>	
Operating:	0° to 160°F (-18° to 71 °C)
Compensated:	30° to 160°F (1° to 71°C)
Storage:	-40° to 185°F (-40° to 85°C)
<b>Temperature Shift:</b>	
Zero & Span:	0.0125% per °F over compensated range 75°F reference
<b>Vibration:</b>	15 g's, 10-2000 Hz, MIL-STD 202
<b>Shock:</b>	50 g's, 11 mS, MIL-STD 202 Method 213, Cond. G.
<b>Built-in Protection:</b>	Conducted & radiated RF emissions/interference to EN 55011  IEC 801-2 Level 3 ESD (to level 3)  IEC 801-3 Level 3 radiated RF field (80-1000 MHz at 10 V/m) to level 3  IEC 801-4 electrical fast transient/burst (1 kV) to level 4  IEC 801-6 level 3 conducted susceptibility (150 kHz-80 MHz 10 V rms) to level 3  Pressure snubber standard on 2000 psi & above
<b>Weight:</b>	23.7 oz. (672 grams) to 1000 psi 24.2 oz. (686 grams) 2000 psi and higher
<b>Warranty:</b>	3 year warranty

### Wiring Code

423N1, 426N1 (Voltage)		425N1 (Milliamp)	
	GROUND		GROUND
	COMMON		NOT USED
	+OUTPUT		DC EXCITATION-
	+EXCITATION		DC EXCITATION+

## Technical Drawings



## Product Configurator

Example 425N1 -05

### Base Model

423N1	0.5 - 5.5 VDC analog output
425N1	4 - 20 mA analog output
426N1	1 - 11 VDC analog output

### Pressure Range

-23	0 - 29.9" of Hg	-19	0 - 600 psi (0 - 41 bar)
-25	0 - 5 psi (0 - 0.35 bar)	-10	0 - 1,000 psi (0 - 69 bar)
-01	0 - 15 psi (0 - 1 bar) <sup>1</sup>	-12	0 - 2,000 psi (0 - 138 bar) <sup>2</sup>
-21	0 - 30 psi (0 - 2 bar) <sup>1</sup>	-13	0 - 3,000 psi (0 - 207 bar) <sup>2</sup>
-03	0 - 50 psi (0 - 3.5 bar) <sup>1</sup>	-14	0 - 4,000 psi (0 - 276 bar) <sup>2</sup>
-04	0 - 100 psi (0 - 6.9 bar) <sup>1</sup>	-15	0 - 5,000 psi (0 - 345 bar) <sup>2</sup>
-05	0 - 150 psi (0 - 10.3 bar) <sup>1</sup>	-16	0 - 6,000 psi (0 - 414 bar) <sup>2</sup>
-06	0 - 200 psi (0 - 12.8 bar) <sup>1</sup>	-17	0 - 7,500 psi (0 - 517 bar) <sup>2</sup>
-07	0 - 300 psi (0 - 20.7 bar) <sup>1</sup>	-18	0 - 10,000 psi (0 - 689 bar) <sup>2</sup>
-08	0 - 500 psi (0 - 34.5 bar)		

### Options

-Z1	Cleaned for oxygen service
-N4X	NEMA 4X Enclosure
-R	Turn down ratio 2:1 of FSO

### Process Connection

Blank	7/16-20 UNF female (standard)
-P2	1/4" NPT male

Blank	Gauge pressure
-A	Absolute pressure range (<300psi)

## Accessories

Order #	Description
208225-V	7/16-20 UNF Adaptor to 1/4-18 NPTM

<sup>1</sup> Available in Absolute (option "-A") range  
<sup>2</sup> Built-in surge protector