



## Features & Options

- Handheld Probe with Bluetooth® Wireless Interface
- Temperature Only or Combination Temperature & Humidity
- Communicates with Android\* Smart Phone or Tablet
- Blü-Test App for Android\* OS with Simple Touch Screen Menus
- E-mailable Data Logs with Time Stamp and Location
- Probe Hanger Clip (included) for Hands Free Measurements

The Blü-Test is a handheld temperature or temp/humidity measurement probe that interfaces via Bluetooth® wireless technology to the user's enabled Android\* Smart Phone or Tablet. After loading the free Blü-Test App, multiple points can be logged and emailed for easy insertion into the commissioning report.

The unit makes it easy to take readings from difficult locations. The 8" probe has a fast measurement time of 2 minutes in slow moving air. Each probe comes with a National Institute of Standards and Technology (NIST) traceable certificate of calibration.

This unit is very simple to use. Just start up the app on your smart phone or tablet, sync the Bluetooth® communication with the testing probe, then begin taking measurements. Available with optional carrying case with room for up to four probes. Includes a Probe Hanger Clip for hands free measurements.



Blü-Test Probe (right), Blü-Test App screen (top) and optional carrying case.



## Blü-Test Probe Specifications

**Power:**..... 3 to 3.6V 1,000 mAh Battery Included (Replaceable)

**Environmental:** Handheld Probe (HHP)  
 Probe..... -40 to 185°F (-40 to 85°C)  
 Plastic..... -22 to 158°F (-30 to 70°C)  
 Humidity Overall ..... 5 to 95% Non-condensing

**Probe Measurement Range:**  
 Temperature:..... -40 to 185°F (-40 to 85°C)  
 %RH..... 10 to 90% Non-condensing

**Battery Life:**..... Up to 6 months under normal use

**HHP Controls:** ..... On/Off Button and Auto Off

**HHP LED Indicators:** ... 2 for On/Off and Comm. Status

**Typical Accuracy:**  
 Temperature:..... ±0.54°F@77°F (±0.3°C@25°C)  
 %RH: ..... ±2%RH@77°F (25°C)

**Specific Accuracy:** ..... See the provided NIST certificate

**%RH Sensor:**..... Capacitive Polymer

**Temperature Sensor:**... Semiconductor Band Gap

**Material:**..... Stainless Steel Probe, Molded Plastic Enclosure

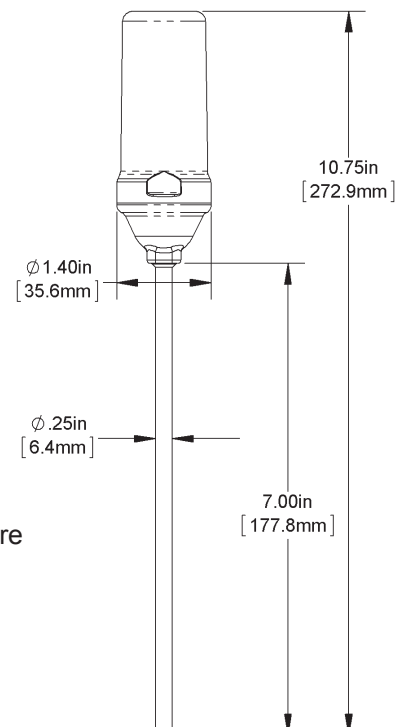
**Communication:** ..... Bluetooth® Class 2

**Data Transfer:** ..... Updates to display every 15 sec

**Carrying Case:**..... Space for multiple probes

**Agency:** ..... RoHS, CE, NIST Traceable Cert.

**FCC ID:** ..... T9J-RN42



\*Application requires Android OS 2.2 or higher.  
 (Apple iOS is not currently supported.)





## Ordering Information

<b>Part Number:</b>	<b>Description</b>
<b>BA/BTP-T-RH</b>	Blü-Test Bluetooth® Temp. & Humidity Probe
<b>BA/BTP-T-RH-C</b>	Blü-Test Bluetooth® Temp. & Humidity Probe & Carrying Case (room for up to 4 probes)
<b>BA/BTP-T</b>	Blü-Test Bluetooth® Temperature Probe
<b>BA/BTP-T-C</b>	Blü-Test Bluetooth® Temperature Probe & Carrying Case (room for up to 4 probes)
<b>BA/BTP-RECERTIFY</b>	Blü-Test probe recertification with NIST certificate and battery
<b>BA/PCH-1</b>	Probe Clip Hanger for the Blü-Test Probe (one included with each Blü-Test Probe)
<b>BA/BAT-CR2</b>	Replacement Battery for the Blü-Test Probe, 3 to 3.6V 1,000 mAh

See end of Section E for list pricing.

## Hands Free Measurements with the Probe Clip Hanger

The Probe Clip Hanger frees your hands when taking measurements with the Blü-Test Probe.

Whether you're testing room sensors, ceiling vents, outside air sensors or even freezers or coolers, the hanger keeps the probe in the optimum position while you go about your business.

The hanger also helps eliminate the effects of human proximity on the temperature and/or humidity measurement.

One Probe Clip Hanger is included with each Blü-Test Probe.

- Probe Clip Hanger for the Blü-Test Probe (above)
- Probe Clip Hanger being used on a ceiling vent and a room sensor (right).



## Blü-Test Application Specifications

- Application Program:** \*Android OS 2.2 or higher (Apple iOS is not currently supported.)
- Display:** On Android Smart Phone or Tablet
  - Measured Data:..... Temp. (°F/°C) or Temp. & %RH
  - Time Stamp:..... Date and 24 hour time
  - Location: ..... Manually entered
  - Save: ..... Saves current data, time & location
  - Log: ..... Show trend data on screen
  - Email: ..... Sends data log to any email address

Note: A user supplied Bluetooth-enabled Android Smart Phone or Tablet is required as the display device. Apple iOS is not currently supported.

For complete specifications, see the full instruction manual.

