



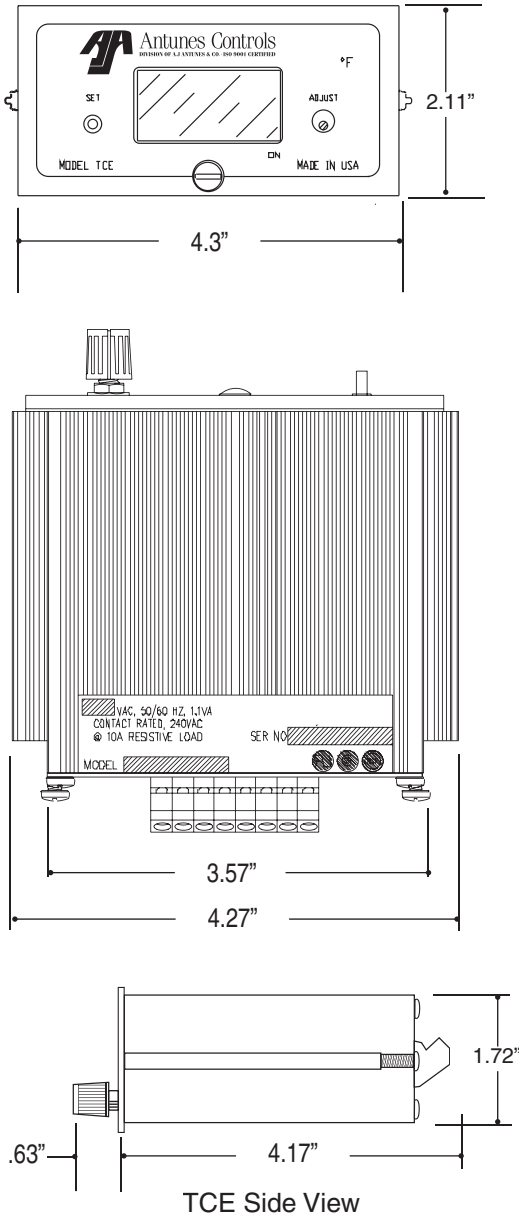
Model - TCE

The model TCE is an electronic control that offers the latest in advanced technology and cost efficiency. All Antunes Controls are accurate, reliable and cost effective. These quality controls have been designed to meet specific needs at a competitive price. In addition, we welcome the opportunity to modify these controls to meet your specific requirements or possibly design a new custom control to fulfill your needs.

**Features:**

- Thermocouple Input (Type J or K)
- Accuracy 1% full Scale +/- LSD
- Easy to Install
- 3 Digit LED Display
- F & C Scaling
- Screw Terminal Connections
- Anodized Aluminum Case
- Hysteresis 1 to 2° Typical, Can be Factory Preset to 10°
- Competitive Pricing

## Dimensions:

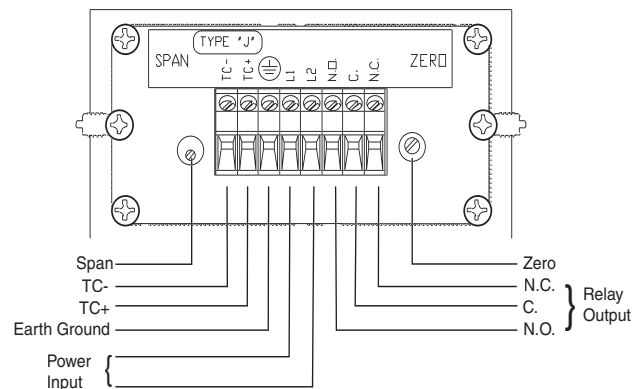


**Panel Knockout: 1.77" H x 3.62"W, (45mm x 92mm)**

## Specifications:

- Sensor:** Thermocouple (Type J or K)
- Accuracy:** 1% Full Scale  $\pm$  1 LSD
- Ambient Operating Temperature:** -30°F to 140°F  
(-35°C to 60°C)
- Ambient Storage Temperature:** -40°F to 180°F  
(-40°C to 82°C)
- Power:** 12 Vac/DC, 24 Vac, 115 Vac, 230 Vac, 50/60Hz
- Package:** 1/8 Din Panel Mount  
Anodized Aluminum Case
- Output:** 3A Relay, Standard (Resistive Load)  
or 12-16 VDC @ 30 mA
- Controls:** On/Off
- Display:** 3 Digit LED (0.56" High)
- Connections:** Screw Terminal
- Hysteresis:** Typically 1-2° unless offered otherwise
- Set Point Adjustment:** External Knob or Recessed Screw Drive Adjustment
- Temperature Range:** 50° - 940°F  
(10° - 530°C)

## Wiring Diagram



Limitation of Liability. If it is understood and agreed that seller's liability whether in contract, in tort, under any warranty, in negligence or otherwise, shall not exceed the return of the amount of the purchase price paid by purchaser and under no circumstances shall seller be liable for special, indirect or consequential damages. The price stated for the equipment is a consideration in limiting seller's liability. No action, regardless of form, arising out of the transactions may be brought by purchaser more than one year after the cause of action has accrued.