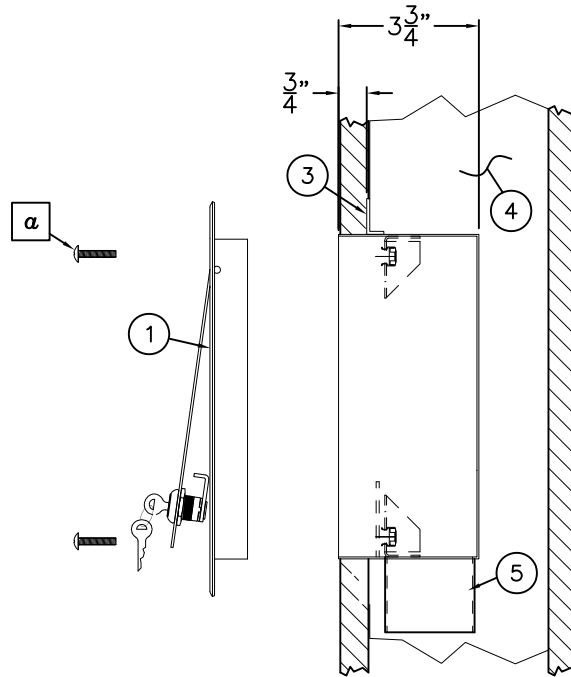


REFERENCE DRAWINGS	
REPAIR PARTS	9989-025-001

**a** STAINLESS STEEL #10-32 UNF x 1" LONG WALL FLANGE / DOOR ANCHORING SCREWS.



**INSTALLATION INSTRUCTIONS:**

- A- REMOVE THE WALL FLANGE ① SHOWN FROM THE BOX ②.
- B- SELECT RECESSED MOUNTING LOCATION AND BLOCK OUT AND/OR PROVIDE ADEQUATE WALL BACKING OR FRAMING BY OTHERS.
- C- USING MOUNTING TABS ③, POSITION AND SECURE THE BOX TO THE STUD FRAMING OR WALL BACKING WITH THE BOX OPENING FLUSH WITH THE FINISHED WALL. LEVEL AS REQUIRED.

- D- MAKE UP 2-3/8" OD WASTE CONNECTIONS AS REQUIRED. NOTE: SUPPLY INLET PUNCHING AND VALVE MOUNTING ARE THE RESPONSIBILITY OF THE INSTALLER.
  - E- INSTALL WALL FLANGE ① TO THE RECESSED BOX ② TO COMPLETE THE INSTALLATION.
- NOTE: THE WALL FLANGE OR DOOR FRAME CAN BE POSITIONED TO OPEN IN SEVERAL ORIENTATIONS.

<p>ACORN ENGINEERING COMPANY P.O. BOX 3527 Industry, CA 91744 15125 Proctor Ave Industry, CA 91746 (626) 336-4561 FAX (626) 961-2200</p>	<p>TITLE <b>8200-1 SERIES RECESSED HOSE BOX w/ DRAIN REPLACEMENT</b></p>		
	<p>MANUFACTURE DATE</p> <p><b>SEPTEMBER 1976</b></p> <p><b>TO PRESENT</b></p>	<p>DATE ISSUED</p> <p><b>09/01/1989</b></p>	<p>DRAWING NUMBER</p> <p><b>9901-065-001</b></p>
		<p>DATE REVISED</p> <p><b>07/24/12</b></p>	