



Hose & Supply Boxes 8200-1

Stainless Steel Recessed Box with Door and Wall Flange



8200-1

Graphic May Show Some Available Options

Please visit www.acorneng.com for most current specifications.

Stainless Steel Recessed Box with Door and Wall Flange

Acorn Stainless Steel Recessed Box is intended for use with valves, controls, piping, or equipment by others. Penetrations for valve supplies or equipment mounting are provided in the field by others.

Box is fabricated from 18 gage, type 304 stainless steel with all seams continuous welded. Three stainless steel wall brackets provide a means of anchoring box to wall.

Wall Frame / Flange is one piece construction fabricated from 16 gage, type 304 stainless steel with exposed exterior surfaces polished to a satin finish. Adjustable, wide beveled flange covers irregularities in the wall opening. Removable Wall Flange is secured to box with Phillips head screws at each corner and includes a removable door.

Door is fabricated of 16 gage type 304 stainless steel with exposed exterior surfaces polished to a satin finish. Door includes a Cam and Cylinder Lock with two keys. Concealed hinges are mounted in heavy reinforcing channels and allow the door to fully open 150 degrees. Door can be easily removed after opening by releasing rugged, spring loaded, pivot hinge pins with a screwdriver.

GUIDE SPECIFICATION

Provide and install an Acorn Stainless Steel Recessed Box Model #8200-1 fabricated from 18 gage, type 304 stainless steel with removable Door and Wall Flange fabricated from 16 gage, type 304 stainless steel. All exposed exterior stainless steel surfaces shall be polished to a satin finish. Door includes cam and cylinder lock with two keys. All penetrations required for valve supplies or equipment mounting provided in the field by others.

Hose & Supply Boxes 8200-1 Stainless Steel Recessed Box with Door and Wall Frame



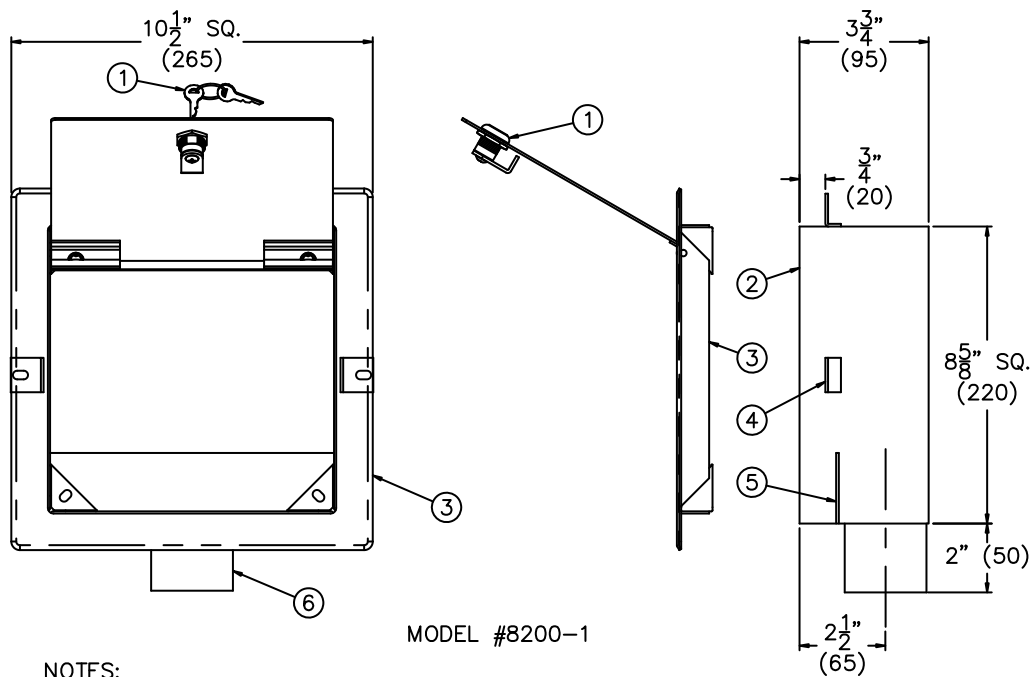
BASE MODEL NUMBER (Must Specify)

- 8200-1 Stainless Steel Recessed Box with Door and Wall Flange

Product Options

- LDR Wall Flange, Less Door
- LLG Less Logo on Door

Please visit www.acorneng.com for most current specifications.



MODEL #8200-1

NOTES:

- 1. CYLINDER LOCK w/ TWO KEYS
- 2. 8-5/8" SQUARE x 3-3/4" DEEP RECESSED WALL BOX
- 3. REMOVABLE WALL FLANGE WITH OPTIONAL DOOR
- 4. WALL ANCHORING CLIPS
- 5. WATER RECEPTOR
- 6. 2-3/8" OD STAINLESS STEEL WASTE OUTLET

<p>Important: Installation instructions and current rough-in are furnished with each fixture. Do not rough in without certified dimensions. Dimensions are subject to manufacturer's tolerance of plus or minus 1/4" and change without notice. Acorn assumes no responsibility for use of void or superseded data. © Copyright 2004 Acorn Engineering Company</p>	
<p style="text-align: center;">Selection Summary</p> <p>Model No. & Option _____</p> <p>Quantity _____</p>	<p style="text-align: center;">Approved for Manufacturing</p> <p>Company _____ Title _____</p> <p>Signature _____ Date _____</p>