

FLOOR DRAINS AND ACCESSORIES

200 Series

TAG _____

Adjustable Floor Drain for Non-Membrane Floors, Series 210

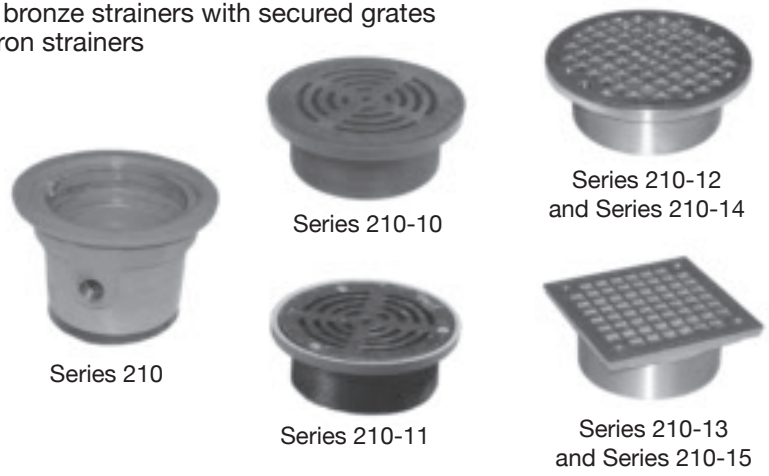
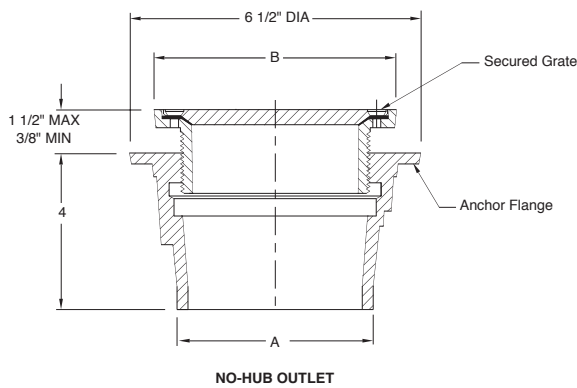
Product Description: Designed for use in non-membrane floor areas. Floor drain body is cast iron and is available with a selection of adjustable tops.

Features and Benefits, Body:

- Designed for non-membrane floors
- Cast iron body coated to protect against corrosion
- Push-on (service weight and extra heavy) and no-hub outlets available in 2", 3" and 4" pipe sizes
- 1/2" NPT trap primer connection

Features and Benefits, Tops:

- 5" and 6" round and square self-polishing, nickel bronze strainers with secured grates
- 5-3/4" round cast iron and cast iron with ductile iron strainers
- 4" NPSM straight threaded shank on strainers



Series Number	Description	Outlet Size-"A"	Outlet Type
<input type="checkbox"/> 210-L02	Adjustable Floor Drain, Body Only	2"	Push-On, Service Weight or No-Hub Cast Iron Pipe
<input type="checkbox"/> 210-L03	Adjustable Floor Drain, Body Only	3"	Push-On, Service Weight or No-Hub Cast Iron Pipe
<input type="checkbox"/> 210-L04	Adjustable Floor Drain, Body Only	4"	Push-On, Service Weight or No-Hub Cast Iron Pipe
<input type="checkbox"/> 210-LXH02	Adjustable Floor Drain, Body Only	2"	Push-On, Extra Heavy Weight Cast Iron or PVC Pipe
<input type="checkbox"/> 210-LXH03	Adjustable Floor Drain, Body Only	3"	Push-On, Extra Heavy Weight Cast Iron or PVC Pipe
<input type="checkbox"/> 210-LXH04	Adjustable Floor Drain, Body Only	4"	Push-On, Extra Heavy Weight Cast Iron or PVC Pipe
<input type="checkbox"/> 210-Y02	Adjustable Floor Drain, Body Only	2"	No-Hub
<input type="checkbox"/> 210-Y03	Adjustable Floor Drain, Body Only	3"	No-Hub
<input type="checkbox"/> 210-Y04	Adjustable Floor Drain, Body Only	4"	No-Hub
Series Number	Available Strainers	Top Size-"B"	Pipe Size
<input type="checkbox"/> 210-10	Adjustable Round Cast Iron Strainer Head (Light Duty)	5-3/4"	4" NPSM Straight Threaded Shank
<input type="checkbox"/> 210-11	Adjustable Round CI Strainer w/Ductile Iron Grate (Medium Duty)	5-3/4"	4" NPSM Straight Threaded Shank
<input type="checkbox"/> 210-12	Adjustable Round Nickel Bronze Strainer (Light Duty)	5"	4" NPSM Straight Threaded Shank
<input type="checkbox"/> 210-13	Adjustable Square Nickel Bronze Strainer (Light Duty)	5"	4" NPSM Straight Threaded Shank
<input type="checkbox"/> 210-14	Adjustable Round Nickel Bronze Strainer (Light Duty)	6"	4" NPSM Straight Threaded Shank
<input type="checkbox"/> 210-15	Adjustable Square Nickel Bronze Strainer (Light Duty)	6"	4" NPSM Straight Threaded Shank

NOTE: Dimensional data is subject to manufacturing tolerances and change without notice.



A Product of:
JAY R. SMITH MFG. CO.
DIVISION OF SMITH INDUSTRIES, INC.
www.jrsmith.com

Series 210
 SPM 1013
 11/14