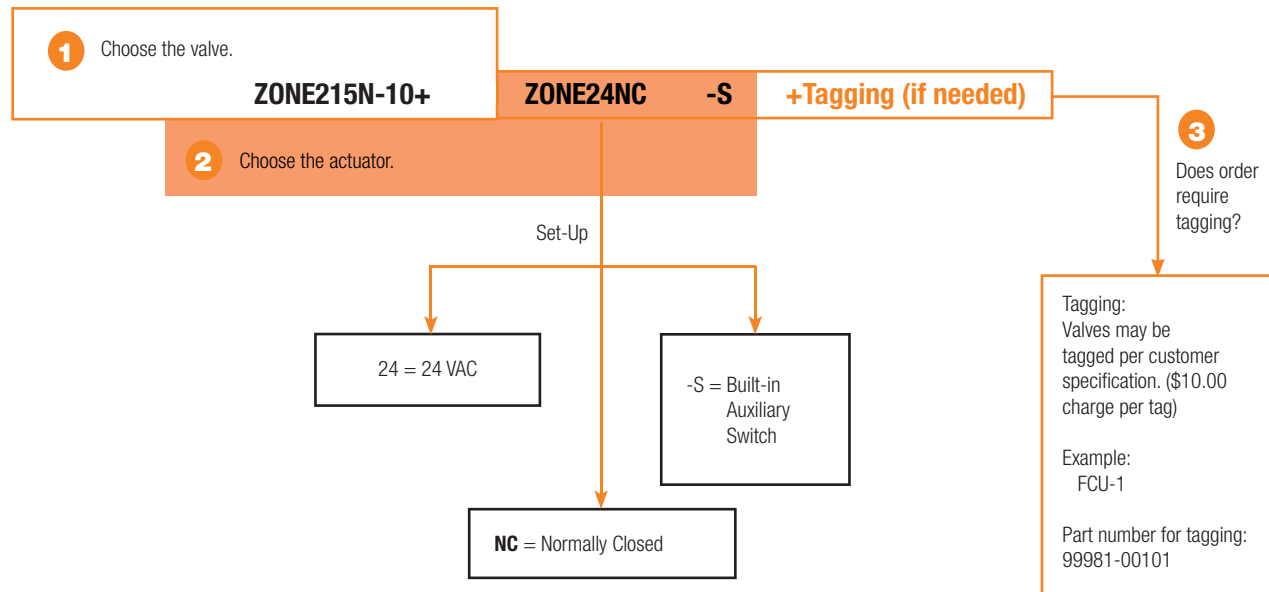


Zone Valve Nomenclature

ZONE2	15	N	-10	+ZONE24NC	-S
Valve Zone2 = 2-way Zone3 = 3-way	Valve Size 15 = 1/2" 20 = 3/4" 25 = 1"	End Fitting N = NPT Female Connection S = Sweat Connection	Cv -10 = 1.0 -25 = 2.5 -35 = 3.5 -50 = 5.0 -80 = 8.0	Actuator Type 24NC = 24 Volt Normally Closed 24NO = 24 Volt Normally Open 120NC = 120 Volt Normally Closed 120NO = 120 Volt Normally Open	-S = Built-in Auxiliary Switch

Ordering Example



4 Complete Ordering Example: ZONE215N-10+ZONE24NC-S

Control Valve Product Range

Zone Valve Product Range Z2.., Z3..

C _v	Valve Nominal Size		Type		Suitable Actuators			
	Inches	DN [mm]	2-way NPT	2-way Sweat	Normally Closed		Normally Open	
1	½	15	ZONE215N-10	ZONE215S-10	Zone	Zone (with Switch)	Zone	Zone (with Switch)
2.5	½	15	ZONE215N-25	ZONE215S-25				
3.5	½	15	ZONE215N-35	ZONE215S-35				
3.5	¾	20	ZONE220N-35	ZONE220S-35				
5	¾	20	ZONE220N-50	ZONE220S-50				
8	1	25	ZONE225N-80	ZONE225S-80				



C _v	Valve Nominal Size		Type		Suitable Actuators	
	Inches	DN [mm]	3-way NPT	3-way Sweat	Normally Closed	
1	½	15	ZONE315N-10	ZONE315S-10	Zone	Zone (with Switch)
2.5	½	15	ZONE315N-25	ZONE315S-25		
3.5	½	15	ZONE315N-35	ZONE315S-35		
3.5	¾	20	ZONE320N-35	ZONE320S-35		
5	¾	20	ZONE320N-50	ZONE320S-50		
8	1	25	ZONE325N-80	ZONE325S-80		

Mode of Operation

Zone valves provide a convenient way to create individual zones or equipment isolation in a hydronic system. Utilizing one pump along with multiple zone valves, flow can be started, stopped, or diverted through the system to provide individual room or area comfort control and energy savings.

Product Features

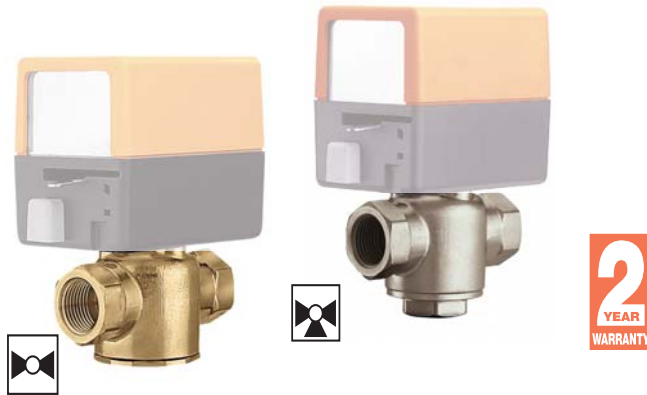
Zone valve is designed to fit in compact areas where on/off control is required using 24 VAC or 120 VAC.

Actuator Specifications

Control type	on/off
Manual override	NC versions only
Electrical connection	6" [15 cm] wire lead 120V; 18" [45 cm] wire lead 24V

Valve Specifications

Service	chilled or hot water, 50% glycol
Flow characteristic	
Two-way	on/off
Three-way	on/off, diverting
Sizes	½", ¾" and 1"
End fitting	NPT female ends or sweat
Materials	
Body	forged brass
Stem	stainless steel
Seals	EPDM
Media temp range	32°F to 212°F [0°C to 100°C]
Body pressure rating	300 psi
Close-off pressure	20-75 psi
Leakage	ANSI Class III 0.1%



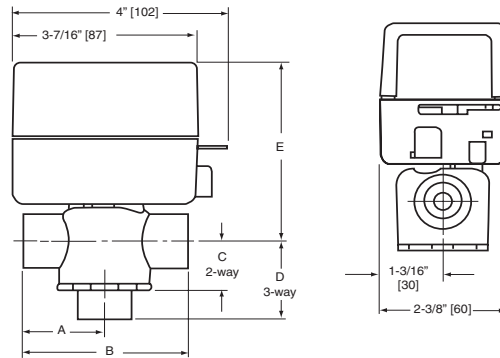
Technical Data	
Service	chilled or hot water, 50% glycol
Flow characteristic	on/off
two-way	on/off diverting
three-way	
Sizes	1/2", 3/4", and 1"
Type of end fitting	female, NPT or Sweat
Materials:	
Body	forged brass
Stem	stainless steel
Seals	EPDM
Body pressure rating	300 psi
Media temp. range	32°F to 212°F [0°C to 100°C]
Close off pressure	20-75 psi
Leakage	Class III 0.1%
C _v rating	1.0-8.0

Application

This valve is typically used on fan coil units, baseboards or other hydronic applications where fail-safe operation or 2-wire control is required. This valve is suitable for use in a hydronic system with variable or constant flow.

This valve is designed to fit in compact areas where on/off or control is required using 24 VAC or 120 VAC.

Dimensions



D098

Connection Size and type	A in.(mm)	B in.(mm)	C in.(mm)	D in.(mm)	E in.(mm)
1/2" sweat	1-5/16" [34]	2-5/8" [38]	15/16" [24]	1-5/16" [34]	3-1/2" [89]
3/4" sweat	1-3/8" [35]	2-3/4" [70]	15/16" [24]	1-1/2" [38]	3-1/2" [89]
1" sweat	1-11/16" [43]	3-3/8" [86]	15/16" [24]	1-9/16" [39]	3-11/16" [93]
1/2" NPT	1-7/16" [36]	2-7/8" [72]	15/16" [24]	1-1/4" [32]	3-1/2" [89]
3/4" NPT	1-9/16" [39]	3-1/16" [92]	15/16" [24]	1-1/4" [43]	3-11/16" [93]
1" NPT	1-13/16" [46]	3-5/8" [92]	15/16" [24]	1-11/16" [43]	3-11/16" [93]