



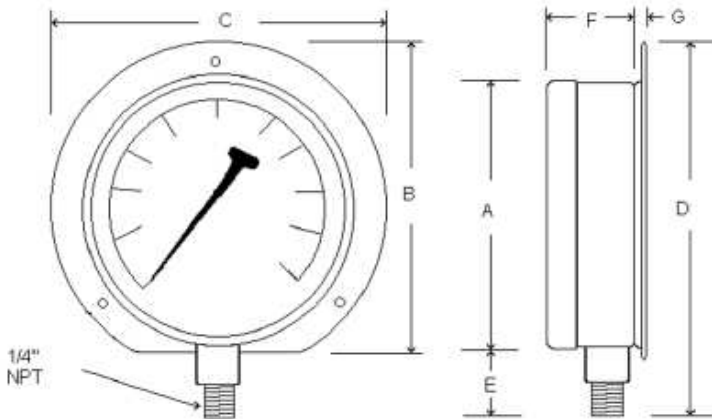
**KODIAK
CONTROLS®
INC.**

KC115D Series HVAC Pressure Gauge

Kodiak's KC115D series pressure gauges are ideal for HVAC applications where easy legibility is preferred. This series gauge is commonly used on air, water, oil, or gas applications that are compatible with brass/bronze.

Specifications

- Dial Sizes:** 4.5", 6", 8.5"
- Case:** Black Painted Steel with Removable Back Flange
- Wetted Parts:** Copper Alloy
- Bezel:** Chrome Plated
- Lens:** Plastic for 4.5" & 6" Dials, Glass for 8.5" Dials
- Pointer:** Black Aluminum, Adjustable
- Connection:** Lower Mount—1/4" NPT
- Scale:** Standard: PSI
- Accuracy:** 1%
- Dry Non-Fillable**
- Temperature:** -30°F/180°F



	Unit	A	B	C	D	E	F	G
4.5" Dial	IN	4.99	5.41	5.87	6.79	1.40	1.86	0.18
	MM	125	138	149	172	36	47	4.5
6" Dial	IN	5.95	6.87	7.42	8.41	1.61	1.86	0.24
	MM	151	175	188	213	41	47	6
8.5" Dial	IN	8.56	9.44	10.3	10.8	1.27	1.93	0.14
	MM	216	240	260	272	32	49	4

Options*

- Custom Dials
- Special Connection Threads (BSP, SAE, etc.)
- NIST Certificates of Calibration

*Lead times and minimum orders may apply

Example:

KC115D 45 160

Dial Size:
45 = 4.5"
60 = 6"
85 = 8.5"

Ranges:

15 psi	1000 psi
30 psi	30"Hg Vac
60 psi	30"Hg/15 psi
100 psi	30"Hg/30 psi
160 psi	30"Hg/60 psi
200 psi	30"Hg/100 psi
300 psi	30"Hg/150 psi
400 psi	30"Hg/300 psi
600 psi	